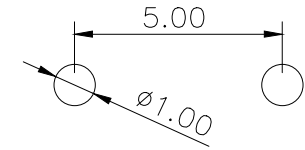
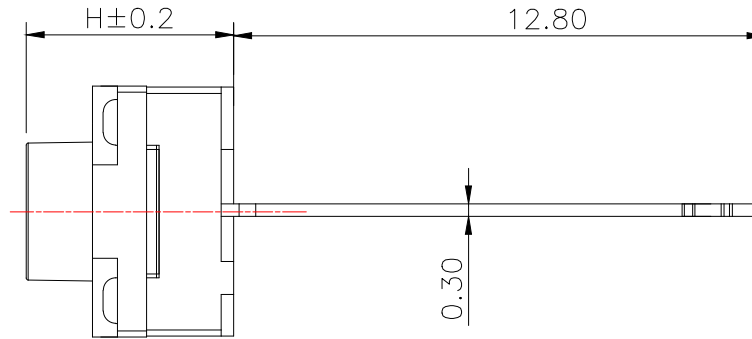
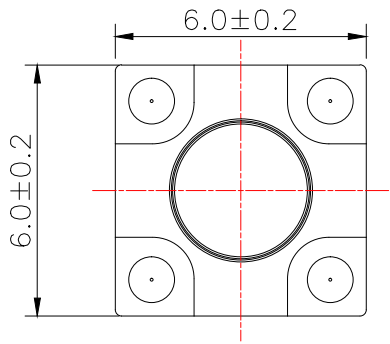


ROHS



PCB layout

NO.1	
PART NO	H
A	4.3
B	4.5
C	5.0
D	5.5
E	6.0
F	6.5
G	7.0
H	7.5
I	8.0
J	8.5
K	9.0
L	9.5

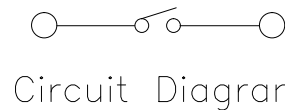
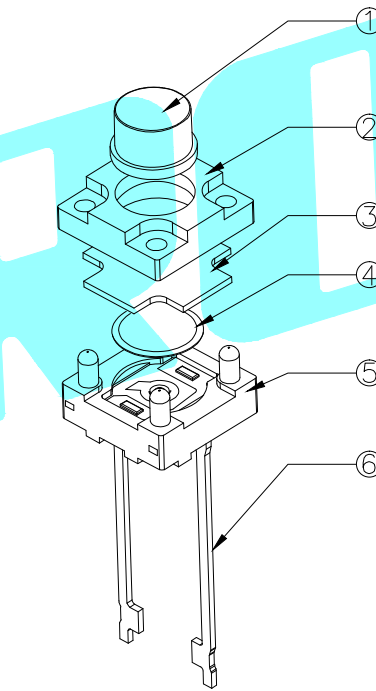
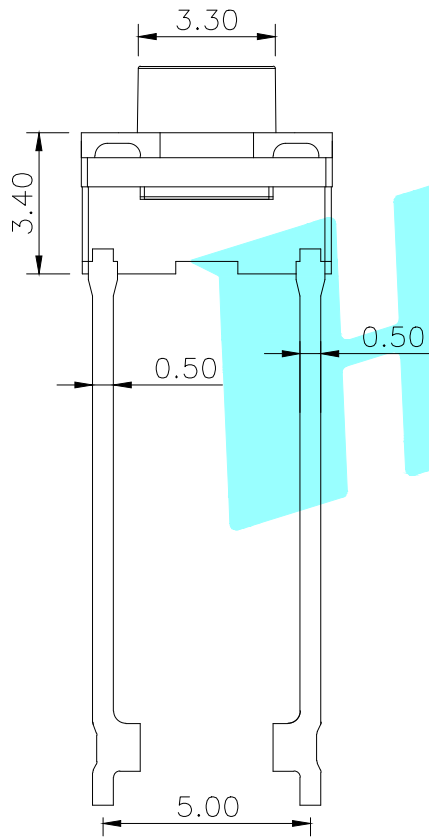
NO.2	
PART NO	vigor
3	160±40
4	250±40

NO.3-NO.4	
PART NO	NOTE
01~99	SERIAL NUMBER

NOTE:  
 Rating: DC 12V 50mA  
 Travel: 0.3±0.1mm  
 Life: 100,000 Cycles  
 Waterproof: IEC IP67

⑥	Waterproof Silicone	—	1	Silica gel	—	—
⑤	Terminal	—	2	Brass(0.3t)	Plating silver	—
④	Contact	—	1	F.Ag/SUS	—	—
③	Base	—	1	PPA	Black	—
②	Cover	—	1	PPA	Black	—
①	Keystoke	—	1	PPA	Black	—
ITEM	PART NAME	TER'NO.	QTY.	MATERIAL	FINISHING	REMARK

APPROVALS		DATE	HROELECTRONICS CO.,LTD			
DRAWN	LIUCAN	2021.5.25	ELECTRONICS CO.,LTD			
CHECKED			TITLE:	TACT SWITCHS		
APPROVALS			PART NO.	K2-1839DZ-□□SW-□□		
TOLERANCES ARE	30~以上	±0.30	ANGLE	UNIT: mm	SCALE: 1:1	PROJ:
	10~30	±0.20				
	5~10	±0.15	±2'	DRAWING NO.		SHEET 1 OF 1
	~ 5	±0.10				



ECN NO.	REV.	DATE.	DESCRIPTION.	CHANGE.	CHECK.	APPRO.
	A		NEW			