



SIAMEZE

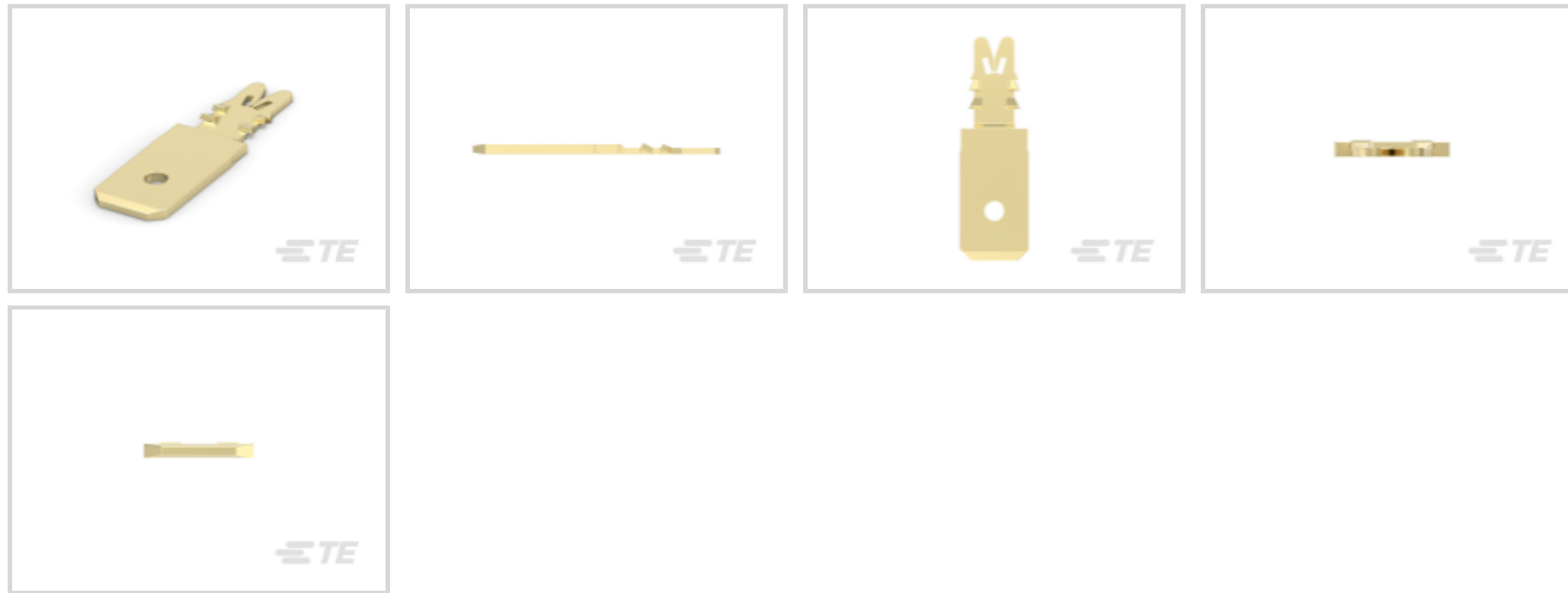
TE Internal #: 1601028-1

Tab, Mating Tab Width 6.35 mm [.25 in], .16 – 1.02 mm Magnet

Wire, 34 – 18 AWG Magnet Wire, SIAMEZE, Magnet Wire Terminals

[View on TE.com >](#)

Terminals & Splices > Magnet Wire Terminals



Magnet Wire Terminal Type: **Tab**

Mating Tab Width: **6.35 mm [.25 in]**

Mating Tab Thickness: **.81 mm [.032 in]**

Magnet Wire Size: **.16 – 1.02 mm**

Features

Product Type Features

Compatible With Discrete Wire Type	Magnet Wire, Solid
------------------------------------	--------------------

Contact Features

Magnet Wire Terminal Type	Tab
Mating Tab Width	6.35 mm [.25 in]
Mating Tab Thickness	.81 mm [.032 in]
Terminal Plating Material	Unplated
Terminal Orientation	Straight

Termination Features

Termination Method to Wire & Cable	Insulation Displacement (IDC)
------------------------------------	-------------------------------

Mechanical Attachment

Mating Retention Type	Barbs, Hole
-----------------------	-------------

Dimensions

Terminal Height	8.38 mm [.33 in]
Magnet Wire Size	.16 – 1.02 mm
Stock Thickness (Magnet Wire Side)	.81 mm [.032 in]



Product Length 20.45 mm[.805 in]

Usage Conditions

Insulation Option Uninsulated

Operation/Application

Compatible With Wire Base Material Copper

Packaging Features

Packaging Quantity 20000

Packaging Method Reel

Product Compliance

[For compliance documentation, visit the product page on TE.com>](#)

EU RoHS Directive 2011/65/EU Compliant

EU ELV Directive 2000/53/EC Compliant

China RoHS 2 Directive MIIT Order No 32, 2016 No Restricted Materials Above Threshold

EU REACH Regulation (EC) No. 1907/2006
 Current ECHA Candidate List: JUNE 2024 (241)
 Candidate List Declared Against: JUNE 2024 (241)
 Does not contain REACH SVHC

Halogen Content Low Halogen - Br, Cl, F, I < 900 ppm per homogenous material. Also BFR/CFR/PVC Free

Solder Process Capability Not applicable for solder process capability

Product Compliance Disclaimer

This information is provided based on reasonable inquiry of our suppliers and represents our current actual knowledge based on the information they provided. This information is subject to change. The part numbers that TE has identified as EU RoHS compliant have a maximum concentration of 0.1% by weight in homogenous materials for lead, hexavalent chromium, mercury, PBB, PBDE, DBP, BBP, DEHP, DIBP, and 0.01% for cadmium, or qualify for an exemption to these limits as defined in the Annexes of Directive 2011/65/EU (RoHS2). Finished electrical and electronic equipment products will be CE marked as required by Directive 2011/65/EU. Components may not be CE marked. Additionally, the part numbers that TE has identified as EU ELV compliant have a maximum concentration of 0.1% by weight in homogenous materials for lead, hexavalent chromium, and mercury, and 0.01% for cadmium, or qualify for an exemption to these limits as defined in the Annexes of Directive 2000/53/EC (ELV). Regarding the REACH Regulation, the information TE provides on SVHC in articles for this part number is based on the latest European Chemicals Agency (ECHA) 'Guidance on requirements for substances in articles' posted at this URL: <https://echa.europa.eu/guidance-documents/guidance-on-reach>

Compatible Parts




TE Part # 1-1601061-2
TAB,250X032,STD,SMZ



TE Part # 3-1601061-2
TAB,250X032,STD,SMZ



TE Part # 1601115-1
132-009-000=TAB,250X032,HD,SMZ



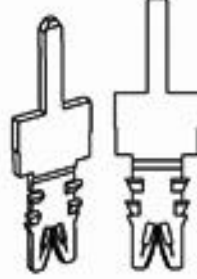
TE Part # 2-1601003-1
131-005-000=TAB,250X032,STDSMZ



TE Part # 2-1601139-2
TAB,250 X 032,MED,SMZ




TE Part # 2-284937-1
TAB SIAMEZE CONTACT .250" x.03



TE Part # 293214-1
1.5 SIAMEZE TAB CTC. FOR RAST 2,5 APPL.




TE Part # 4-1601115-1
032-009-000=TAB,250X032,HD,SMZ



TE Part # 1601425
531-007-000=POCKET SPECIFICATION

Also in the Series | **SIAMEZE**



Insertion & Extraction Tools(1)



Magnet Wire Terminals(192)


Customers Also Bought



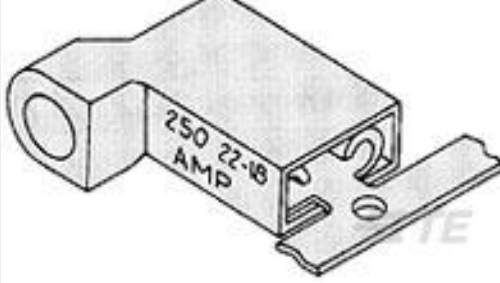
TE Part #163007
FF 250 REC HSG 8P NYLON CLEAR



TE Part #2-34113-2
SOLIS R 22-16COMM 22-18MIL 1/4



TE Part #60774-1
SPADE TERMINAL 18-14 AWG BR



TE Part #3-520338-2
ULTRA-FAST 187 ASY REC 16-14 AWG TPBR



Documents

Product Drawings

[131-064-000=TAB,250X032,STDSMZ](#)

English

[131-064-000=TAB,250X032,STDSMZ](#)

English

CAD Files

[3D PDF](#)

3D

Customer View Model

[ENG_CVM_CVM_1601028-1_E_c-1601028-1-e.2d_dxf.zip](#)

English

Customer View Model

[ENG_CVM_CVM_1601028-1_E_c-1601028-1-e.3d_igs.zip](#)

English

Customer View Model

[ENG_CVM_CVM_1601028-1_E_c-1601028-1-e.3d_stp.zip](#)

English

By downloading the CAD file I accept and agree to the [Terms and Conditions](#) of use.

Datasheets & Catalog Pages

[1654742_HOUSEHOLD_APPLIANCES_RAST5](#)

English

[Magnet Wire Terminals & Splices](#)

English

[1-1773702-7_IDC_Magnet_Wire](#)

English



[Product Specifications](#)

[Application Specification](#)

English