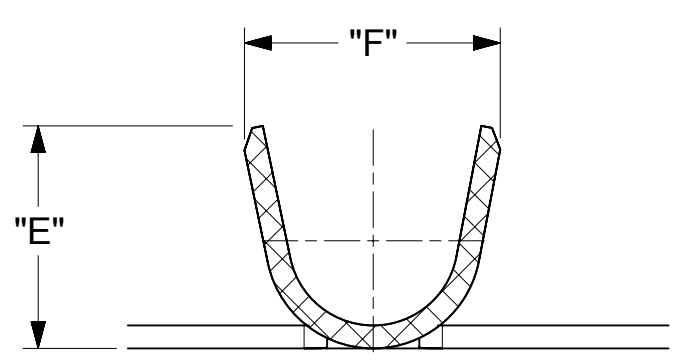
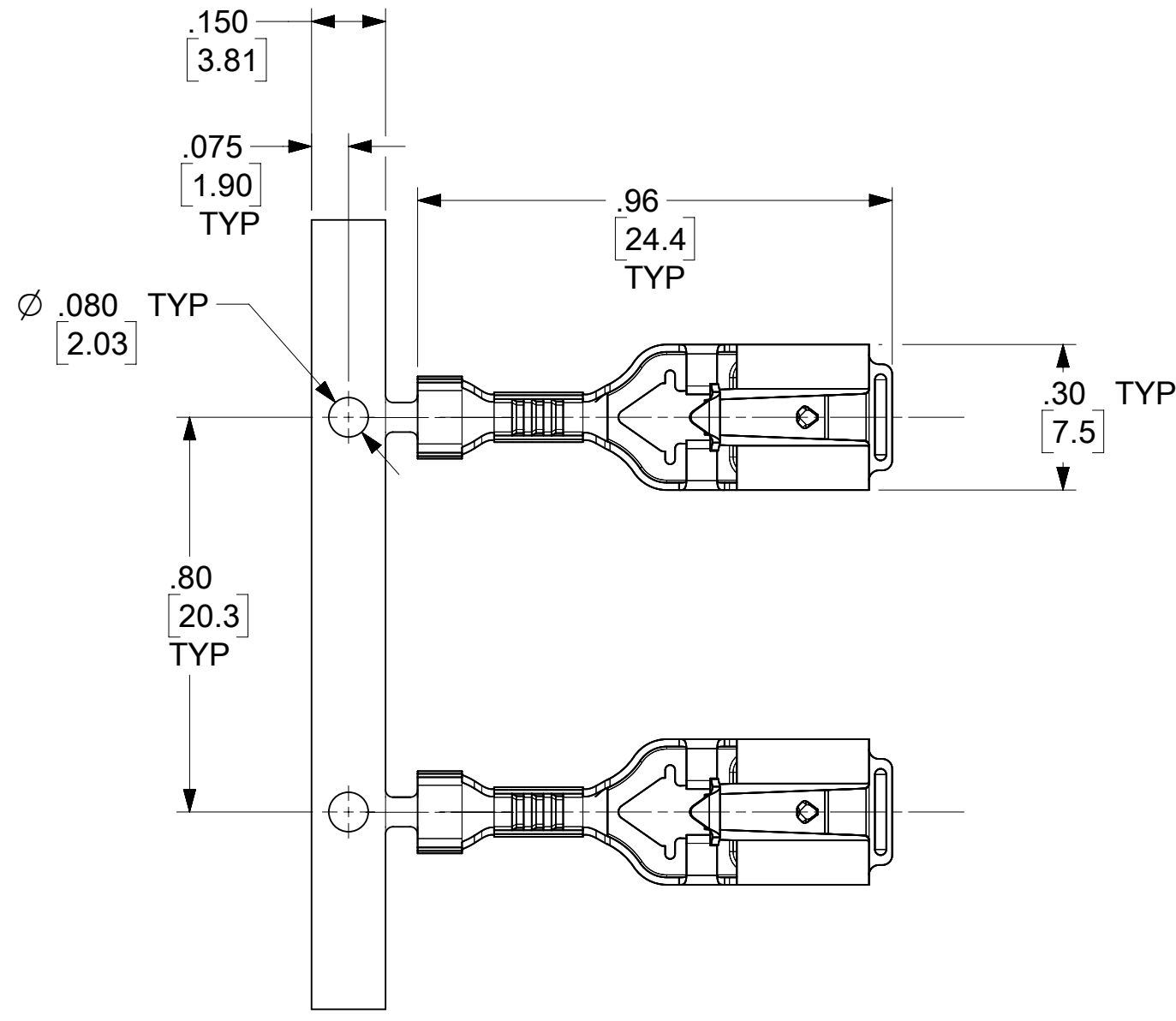
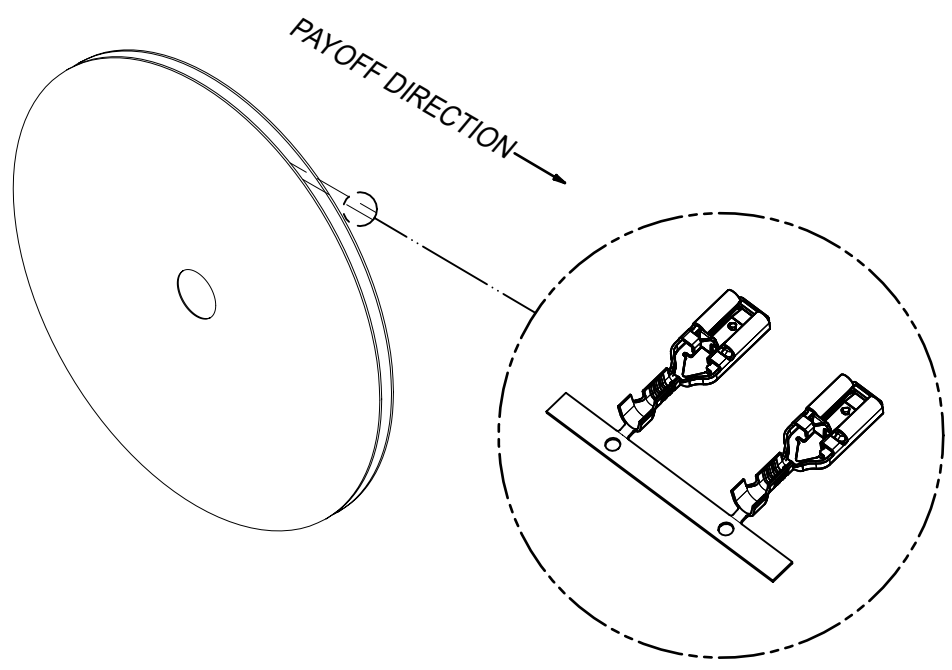
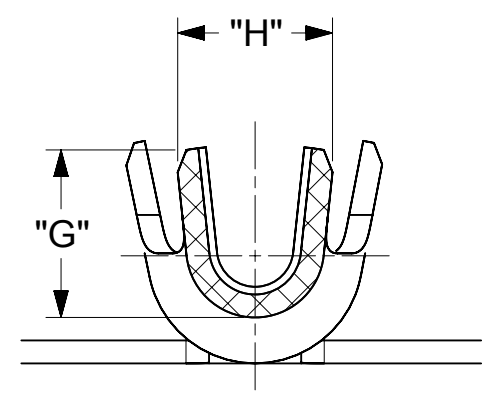


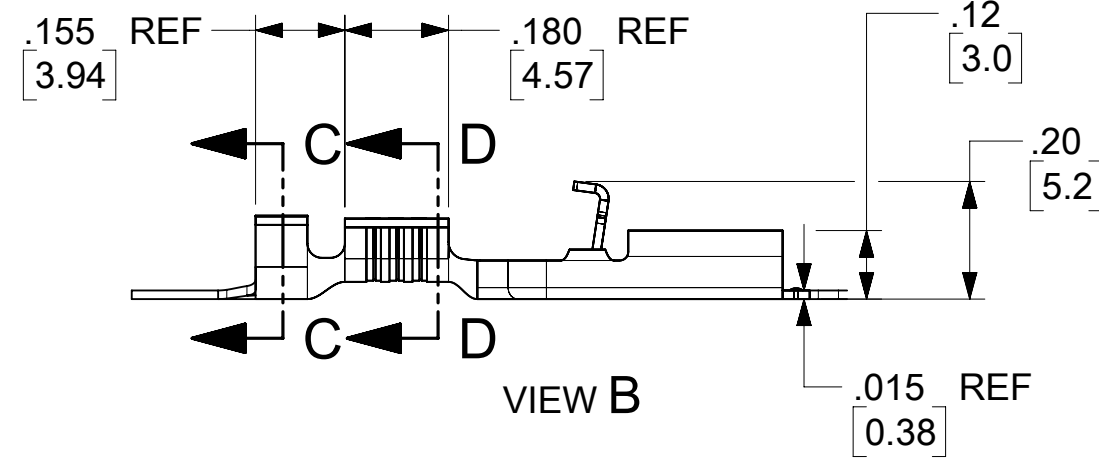
MAT'L NO. (STRIP)	ENG NO. (STRIP)	QTY PER REEL \triangle	ORDER QTY	MAT'L NO. (LOOSE)	ENG NO. (LOOSE)	QTY	WIRE SIZE (AWG)	REF DIM "E"	REF DIM "F"	REF DIM "G"	REF DIM "H"
194390001	AAZ-4150	2,000	6,000	194390002	AA-4150	2,000	20-18 (A3)	.145 (3.68)	.167 (4.24)	.110 (2.79)	.101 (2.57)
194390003	BBZ-4151	2,000	6,000	194390004	BB-4151	2,000	16-14	.185 (4.70)	.191 (4.85)	.146 (3.71)	.137 (3.48)
194390005	CZ-4152	1,500	4,500	194390006	C-4152	2,000	12-10	.260 (6.60)	.223 (5.66)	.224 (5.69)	.203 (5.16)



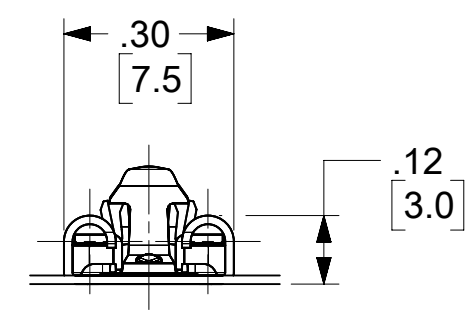
SECTION C-C
SCALE 8:1



SECTION D-D
SCALE 8:1



VIEW B



- NOTE(S):
- MATERIAL: COPPER ALLOY
STRIP THICKNESS (REF): .015 (0.38)
 - FINISH: MATTE TIN PLATED
 - TERMINALS FOR USE WITH HOUSING P/N's:
194390007 (NYLON RATED UL94V-2)
194390008 (NYLON RATED UL94V-0)
 - \triangle STRIP TERMINALS ARE REELED AS SHOWN ABOVE ON 24" REELS.
 - FOR APPLICATION TOOLING AND CRIMP SPEC'S SEE MOLEX.COM

FUNCTIONAL SYMBOLS	THIS DRAWING CONTAINS INFORMATION THAT IS PROPRIETARY TO MOLEX ELECTRONIC TECHNOLOGIES, LLC AND SHOULD NOT BE USED WITHOUT WRITTEN PERMISSION				
	DIMENSION UNITS	SCALE	CURRENT REV DESC: 194390001 WIRE SIZE WAS 22-18 AWG		
\triangle = 0	INCH/MM	3:1	<p>EC NO: 751389 DRWN: DEANM1 2023/05/30 CHK'D: JMACNEIL 2023/05/30 APPR: JMACNEIL 2023/05/30</p> <p>INITIAL REVISION: DRWN: DMYRICK 2020/10/20 APPR: JMACNEIL 2023/03/10</p>		
DIVISIONAL SYMBOLS	GENERAL TOLERANCES (UNLESS SPECIFIED)				
		MM			INCH
	4 PLACES	±			±
	3 PLACES	±			± 0.01
	2 PLACES	± 0.25	± 0.02		
	1 PLACE	± 0.5	±		
	0 PLACES	±	±		
	ANGULAR TOL	± °			
DRAFT WHERE APPLICABLE MUST REMAIN WITHIN DIMENSIONS		THIRD ANGLE PROJECTION	DRAWING	SERIES	
			C-SIZE	19439	
DOCUMENT STATUS		DOC TYPE	DOC PART	REVISION	
P1	RELEASE DATE	PSD	000	A3	
2023/05/30 22:05:09	SEE CHART	MATERIAL NUMBER	CUSTOMER	SHEET NUMBER	
		194390002		1 OF 1	