

ROHM Switching Regulator Solutions

Evaluation Board for ROHM's BD9G101G Buck Switching Regulator with Built-In Power MOSFET

BD9G101G (5V | 0.5A Output)

AEY59-D1-0001

●Introduction

This user's guide will explain the steps necessary to operate and evaluate ROHM's BD9G101G step-down switching regulator using the BD9G101G evaluation board. Board layout recommendations, operating procedures, application data, and bill of materials are included.

●Description

This evaluation board has been specifically developed to evaluate the BD9G101G non-synchronous buck DC/DC converter with integrated 45V/800mΩ power MOSFET. Features include wide input (6V to 42V) and output (1V to VCC x 0.7V) voltage ranges and a switching frequency of 1.5MHz. Multiple protection functions are also built in, including a soft start circuit that prevents inrush current during startup, UVLO (Under Voltage Lock Out), TSD (Thermal Shutdown), and OCP (Overcurrent Protection). An EN pin allows for simple ON/OFF control to reduce standby current consumption.

●Applications

Industrial distributed power systems
Automotive and battery-powered equipment

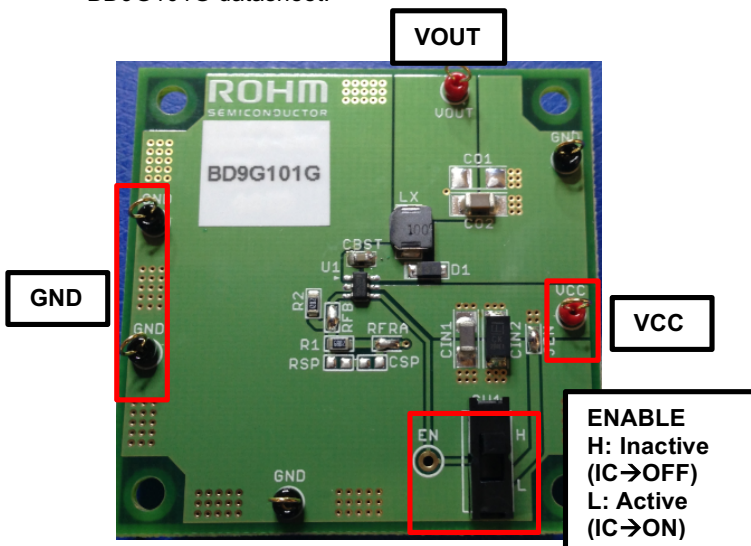
●Evaluation Board Operating Limits and Absolute Maximum Ratings

Parameter	Symbol	Limit			Unit	Conditions
		MIN	TYP	MAX		
Supply Voltage						
	BD9G101G	VCC	6 ^{(*)1}	-	42	V
Output Voltage / Current						
	BD9G101G	VOUT	1.0 ^{(*)2}	5	VINx0.7 ^{(*)3}	V
	BD9G101G	IOUT	-	0.5	-	A

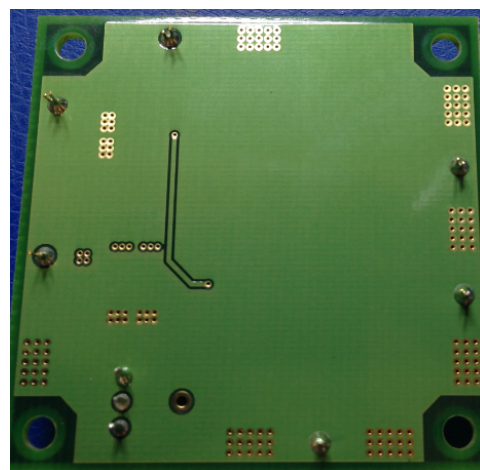
(*)1 Restricted by maxduty, Ron and BST-UVLO.
 (*)2 Restricted by minimum on pulse typ. 100nsec
 (*)3 Restricted by maxduty, Ron and BST-UVLO.

●Evaluation Board

Below are images of the BD9G101G evaluation board. Component selection and board layout guidelines are provided in the BD9G101G datasheet.

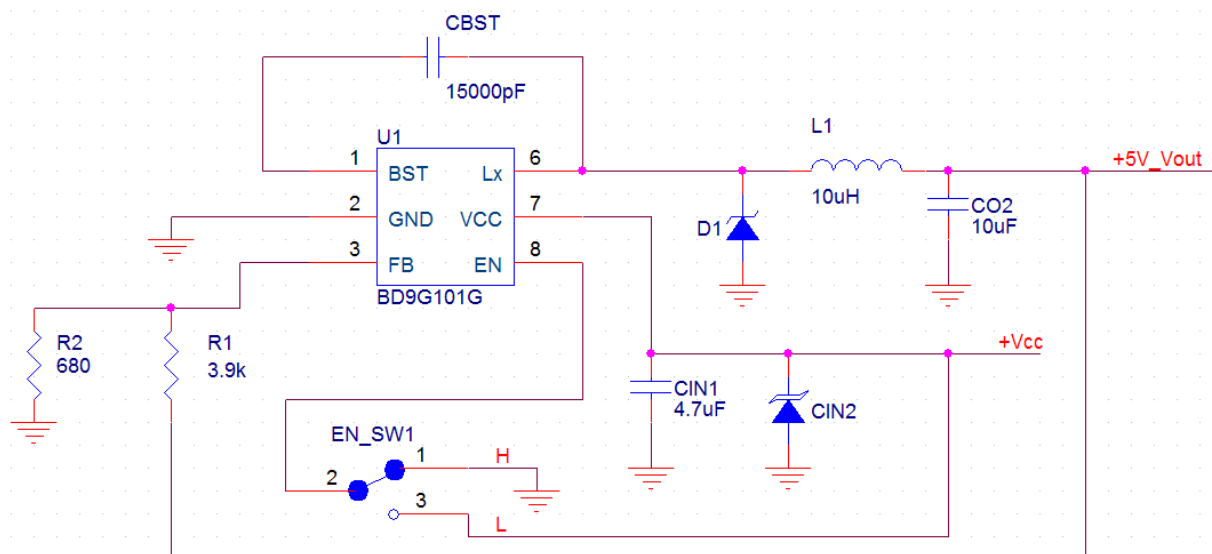


BD9G101G Eval Board (Front)



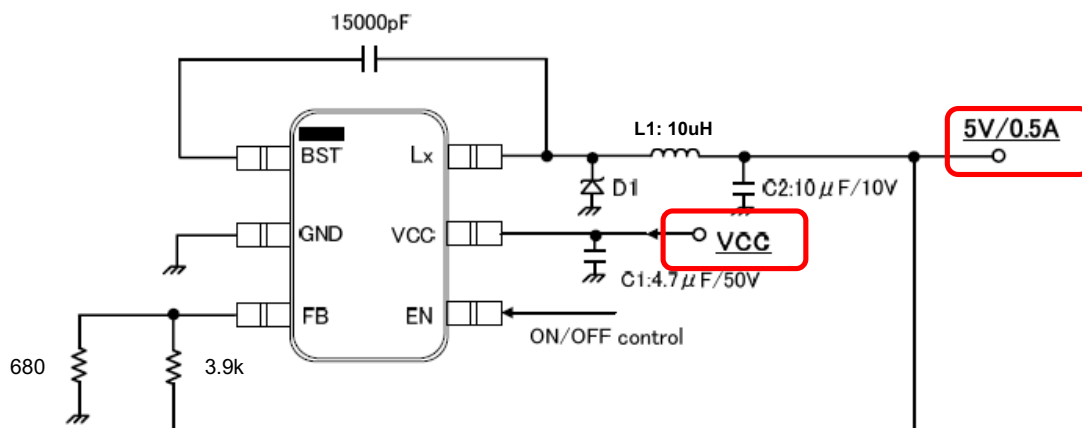
BD9G101G Eval Board (Back)

●Board Schematic



●Board I/O

Below is a reference application circuit showing the inputs VCC and EN and the output (VOUT @5V/0.5A)



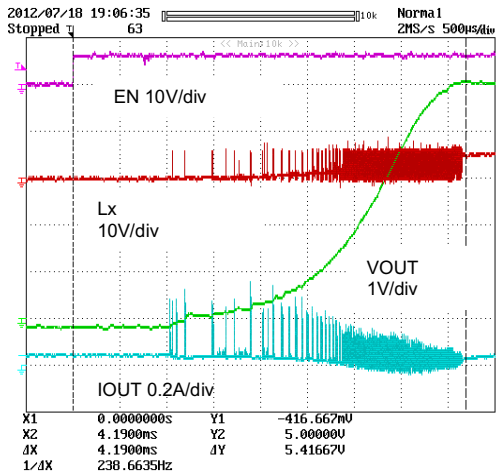
●Operating Procedures

1. Connect GND to a GND pin on the evaluation board
2. Connect VCC to the VCC pin.
 - i. Note: The EN pin is pulled HIGH as a default. EN needs to be set to LOW for IC operation.
3. The output voltage can be measured from the VOUT pin on the evaluation board. Output current can be measured with a proper load at VOUT.

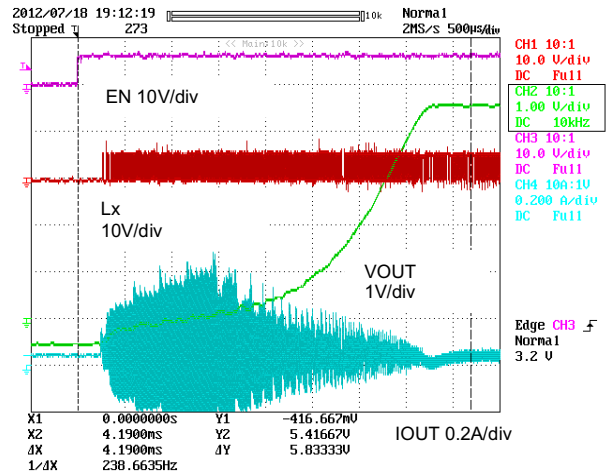
Note: The IC could be damaged if hot plugged. Therefore, make sure to power down the system before removing or connecting the BD9G101G evaluation board.

●Reference Application Data

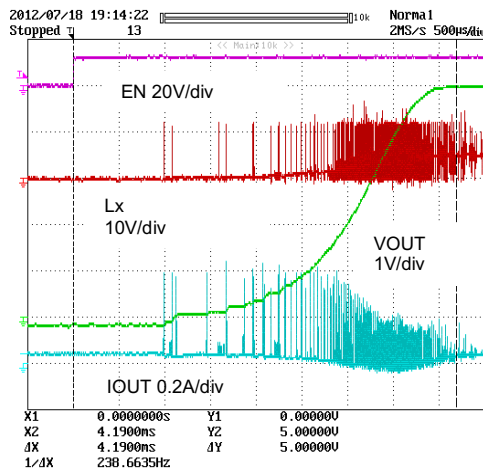
The below graphs show the efficiency, frequency response, and load characteristics of the BD9G101G eval board.



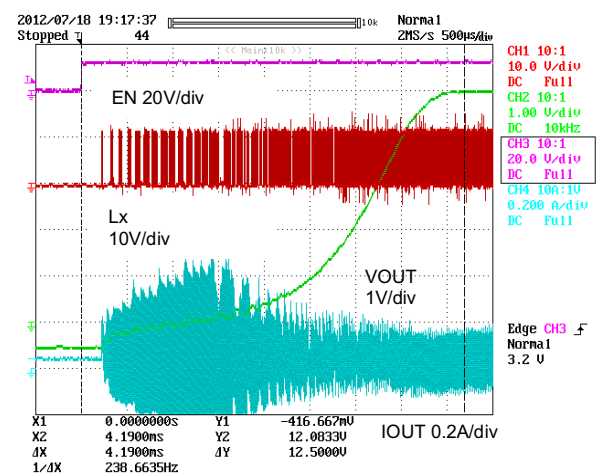
Start-up Characteristics
VIN=8V, IOU=0mA, VOUT=5V



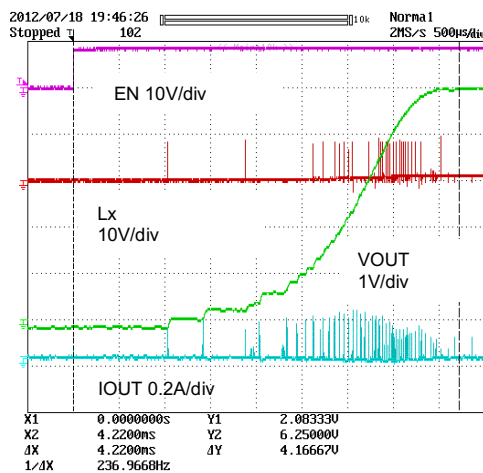
Start-up Characteristics
VIN=8V, IOU=500mA, VOUT=5V



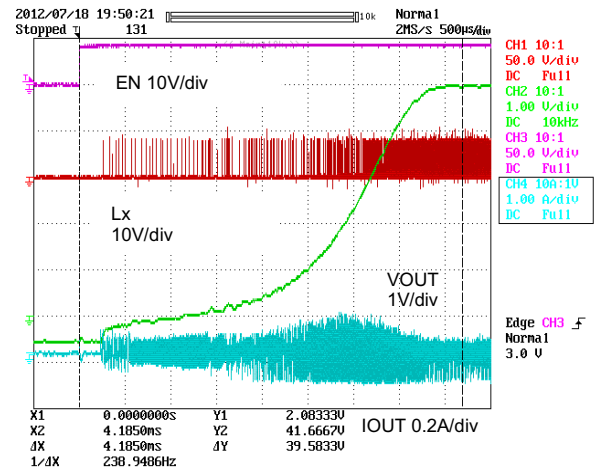
Start-up Characteristics
VIN=12V, IOU=0mA, VOUT=5V



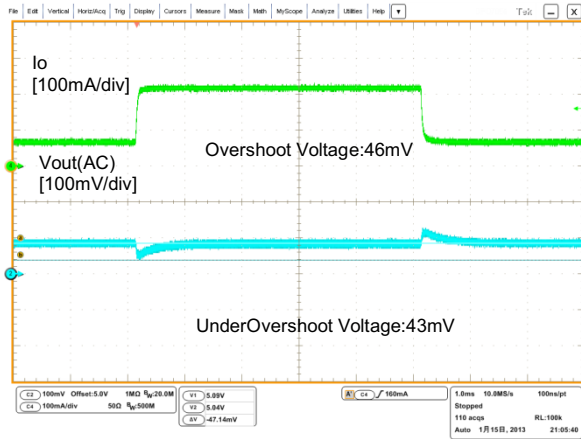
Start-up Characteristics
VIN=12V, IOU=500mA, VOUT=5V



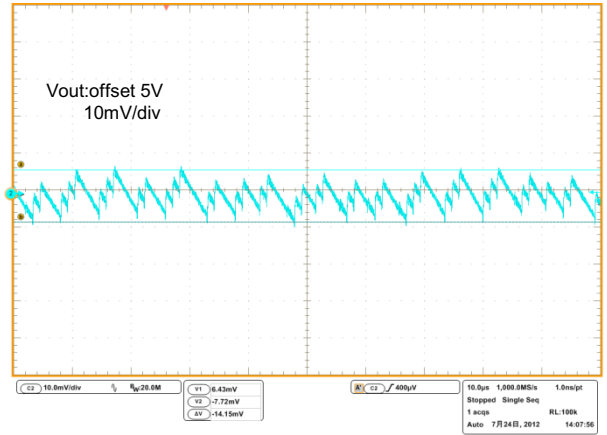
Start-up Characteristics
VIN=42V, IOU=0mA, VOUT=5V



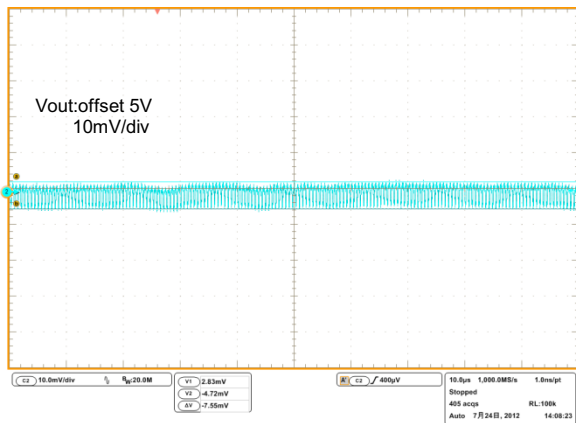
Start-up Characteristics
VIN=42V, IOU=500mA, VOUT=5V



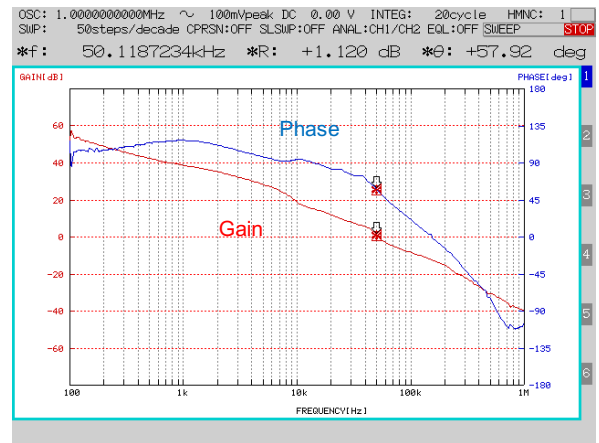
Load Response
Io=50mA↔200mA



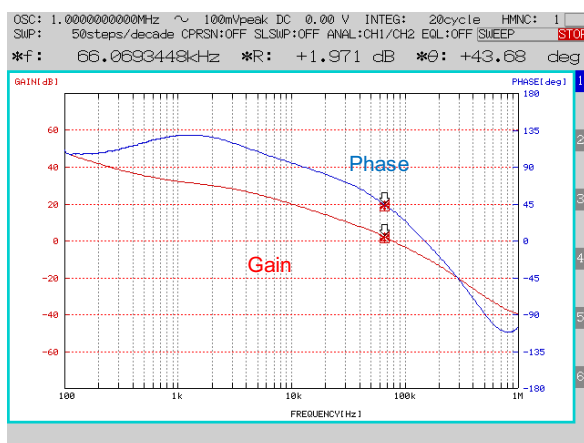
Lx Switching/ Vout Ripple
Io = 20mA



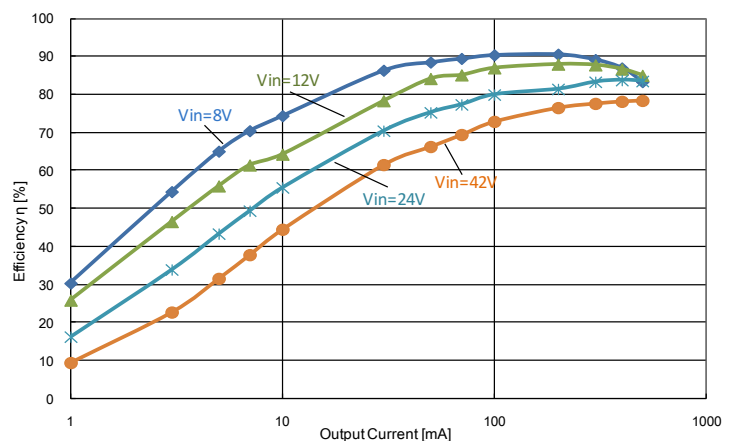
Lx Switching/ Vout Ripple
Io=200mA



Frequency Response
Io=100mA, VOUT=5V



Frequency Response
Io=500mA, VOUT=5V



Electric Power Conversion Rate
Io=500mA, VOUT=5V

●Application Components Selection Method

(1) Inductors

A shield type with low DCR (DC resistance component) that satisfies the current rating (current value I_{peak} below) is recommended. The inductance value has a significant effect on the inductor ripple current, which becomes the source of output ripple. As shown in the formula below, this ripple current can be made smaller by increasing the L value of the coil and/or the switching frequency.

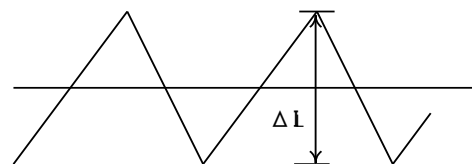


Fig 17: Inductor Current

$$I_{peak} = I_{out} + \Delta I / 2 \text{ [A]} \quad (1)$$

$$\Delta I = \frac{V_{in} - V_{out}}{L} \times \frac{V_{out}}{V_{in}} \times \frac{1}{f} \text{ [A]} \quad (2)$$

(ΔI : Output Ripple Current, f: Switching Frequency)

Please carry out inductor ripple design with a target of 20 to 50% of the maximum input current. For the BD9G101G, the below inductors are recommended within the 4.7 μ H to 15 μ H range.

Recommended Inductor

TOKO DE4518C Series

TAIYO YUDEN NR4018 Series

(2) Input Capacitor

To reduce input ripple voltage, please connect a low ESR ceramic capacitor near the VCC pin. For the BD9G101G, we recommend a capacitance less than 4.7 μ F. And in the event an electrolytic capacitor is used, mount a 1 μ F ceramic capacitor in parallel to prevent oscillation.

(3) Output Capacitor

To reduce output ripple, a low ESR ceramic capacitor is recommended. And in addition to taking into account DC bias characteristics, please provide sufficient margin with respect to the absolute maximum rated output voltage.

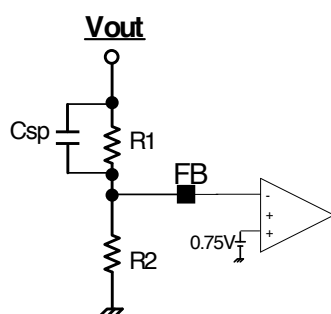
$$V_{pp} = \Delta I \times \frac{1}{2\pi \times f \times C_o} + \Delta I \times R_{ESR} \text{ [V]} \quad (3)$$

Please design in a way that it is held within Capacity Ripple Voltage.

In the BD9G101G, it is recommended a ceramic capacitor over 10 μ F.

(4) Output voltage setting

The internal reference voltage of the ERROR AMP is 0.75V. The output voltage is determined from the following formula.



$$V_o = \frac{(R1 + R2)}{R2} \times 0.75 \text{ [V]} \quad \dots (4)$$

Fig 18: Output voltage setting

However, in order to prevent BSTUVLO operation during reduced power and light loads, please ensure that the sum $R1 + R2$ for the output resistance satisfies the following formula.

$$R1 + R2 \leq V_{out} \times 10^3 \quad \dots (5)$$

Example output resistance settings: 5V output voltage → $R1 = 3.9\text{k}\Omega$, $R2 = 0.68\text{k}\Omega$
 12V output voltage → $R1 = 7.5\text{k}\Omega$, $R2 = 0.51\text{k}\Omega$

(5) Feed-forward capacitor C_{sp}

Please mount feed-forward capacitor in parallel to output resistance R1.

In order that a feed-forward capacitor may adjust the loop characteristic by adding the pair of a pole and zero to the loop characteristic. A phase margin is improved and transient response speed improves.

The feed-forward capacitor C_{sp} should use the value near the following formulas.

$$C_{sp} = \frac{4.7k}{R1} \times 0.15 \quad [\mu F] \quad \dots (6)$$

Example C_{sp} settings: 5V output voltage → R1=3.9kΩ, R2=0.68kΩ, C_{sp} =0.1μF or 0.22μF
12V output voltage → R1=7.5kΩ, R2=0.51kΩ, C_{sp} =0.1μF

To prevent BSTUVLO operation during reduced power and light loads, we recommend connecting a feed-forward capacitor C_{sp} in parallel with the output resistor R1. The feed-forward capacitor improves phase margin and transient response by adding a zero-pole pair to the loop characteristics. This works to limit output fluctuation. For the feed-forward capacitor C_{sp} , use an output resistance value near to the following formula.

Through the above measures, BSTUVLO will not activate under light loads and $V_{IN}-V_{OUT}<3V$.

(6) Bootstrap Capacitor

To prevent malfunction of the boot pin's internal circuit, connect a CBS=15000pF ceramic capacitor between the BST and Lx pins.

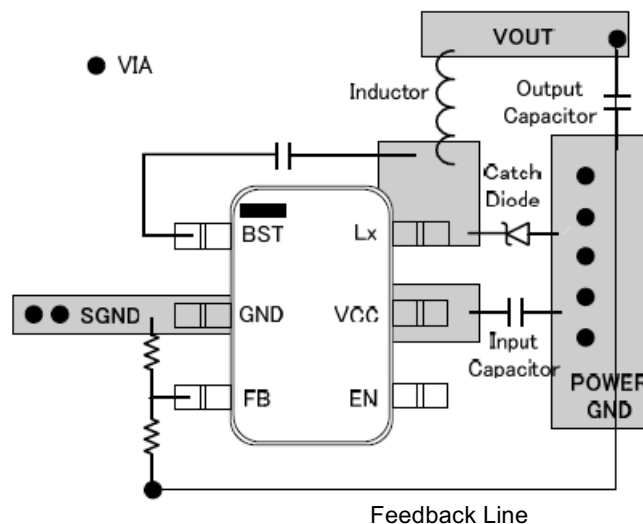
(7) Diode

Select a Schottky barrier diode that meets withstand voltage and rated current requirements.

- Note: The feed-forward capacitor C_{sp} is not populated on the BD9G101G evaluation board. However, it is recommended for designs requiring improved phase margin and transient response.

● Evaluation Board Layout Guidelines

Below are guidelines that have been tested and recommended for BD9G101G designs.



Layout is a critical element of good power supply design. There are several signals paths that conduct fast changing currents or voltages that can interact with stray inductance or parasitic capacitance to generate noise or degrade the power supplies performance. To help eliminate these problems, the VCC pin should be bypassed to ground with a low ESR ceramic bypass capacitor with B dielectric. Care should be taken to minimize the loop area formed by the bypass capacitor connections, the VCC pin, and the anode of the catch diode. See Figure.45 for a PCB layout example.

In the BD9G101G, since the Lx connection is the switching node, the catch diode and output inductor should be located close to the Lx pin and the area of the PCB conductor minimized to prevent excessive capacitive coupling. Also, the GND area should not be connected directly to power GND or high current switch paths. The additional external components can be placed approximately as shown.

●Evaluation Board BOM

Below is a table showing the bill of materials. Part numbers and supplier references are also provided.

Item	Qty	Ref	Description	Manufacturer	Part Number	Digikey P/N
1	1	CIN1	CAP CER 4.7UF 50V Y5V 1206	Murata	GRM31CF51H475ZA01L	490-1828-1-ND
2	1	CIN2	TVS DIODE 40VWM 64.5VC SMA	Littlefuse	SMAJ40A	SMAJ40ALFTR-ND
3	1	CO2	CAP CER 10UF 10V 10% X5R 1206	Murata	GRM31CR61A106KA01L	490-1820-2-ND
4	1	CBST	CAP CER 0.015UF 50V 10% X7R 0603	Murata	GRM188R71H153KA01D	490-1514-1-ND
5	1	D1	DIODE SCHOTTKY 60V 2A PMDU	ROHM	RB060M-60TR	RB060M-60CT-ND
6	1	SW1	SWITCH SLIDE SPDT 30V.2A PC MNT	E-Switch	EG1218	EG1903-ND
7	1	R1	RES 3.9K OHM 1/8W 1% 0805 SMD	ROHM	MCR10ERTF3901	RHM3.90KCHTR-ND
8	1	R2	RES 680 OHM 1/8W 1% 0805 SMD	ROHM	MCR10ERTF6800	RHM680CHTR-ND
9	1	Lx	INDUCT 10uH SOD-106	TOKO	DEM4518C 1235AS-H-100M	-
10	1	U1	5V, 0.5A Step-down SW Reg w/ FET	ROHM	BD9G101G	-

●Revision History

Date	Revision	Changes
1. May. 2013	BD9G101G	New Release
17. Mar. 2016	BD9G101G-V2	BOM(R1, R2 & CIN2) is changed. Note is added to operation procedures.

Notes

No copying or reproduction of this document, in part or in whole, is permitted without the consent of ROHM Co.,Ltd.

The content specified herein is subject to change for improvement without notice.

The content specified herein is for the purpose of introducing ROHM's products (herein after "Products"). If you wish to use any such Product, please be sure to refer to the specifications which can be obtained from ROHM upon request.

Examples of application circuits, circuit constants and any other information contained herein illustrate the standard usage and operations of the Products. The peripheral conditions must be taken into account when designing circuits for mass production.

Great care was taken in ensuring the accuracy of the information specified in this document. However, should you incur any damage arising from any inaccuracy or misprint of such information, ROHM shall bear no responsibility for such damage.

The technical information specified herein is intended only to show the typical functions of and examples of application circuits for the Products. ROHM does not grant you, explicitly or implicitly, any license to use or exercise intellectual property or other rights held by ROHM and other parties. ROHM shall bear no responsibility whatsoever for any dispute arising from the use of such technical information.

The Products specified in this document are intended to be used with general-use electronic equipment or devices (such as audio visual equipment, office-automation equipment, communication devices, electronic appliances and amusement devices).

The Products specified in this document are not designed to be radiation tolerant.

While ROHM always makes efforts to enhance the quality and reliability of its Products, a Product may fail or malfunction for a variety of reasons.

Please be sure to implement in your equipment using the Products safety measures to guard against the possibility of physical injury, fire or any other damage caused in the event of the failure of any Product, such as derating, redundancy, fire control and fail-safe designs. ROHM shall bear no responsibility whatsoever for your use of any Product outside of the prescribed scope or not in accordance with the instruction manual.

The Products are not designed or manufactured to be used with any equipment, device or system which requires an extremely high level of reliability the failure or malfunction of which may result in a direct threat to human life or create a risk of human injury (such as a medical instrument, transportation equipment, aerospace machinery, nuclear-reactor controller, fuel-controller or other safety device). ROHM shall bear no responsibility in any way for use of any of the Products for the above special purposes. If a Product is intended to be used for any such special purpose, please contact a ROHM sales representative before purchasing.



Thank you for your accessing to ROHM product information.
More detail product information and catalogs are available, please contact us.

ROHM Customer Support System

<http://www.rohm.com/contact/>