






Element without air vents

Product no.: 05450002
Length: 188
Width: 110
Height: 70
Material: polystyrene
Color: light grey/graphite grey
Ingress protection: IP 40
PDF: 

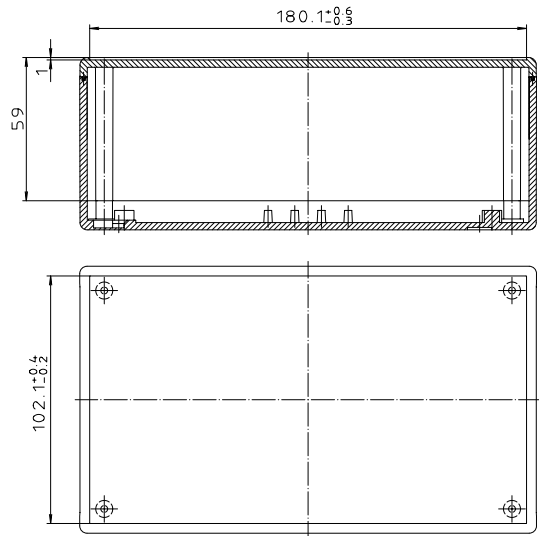
DXF: 

Accessories:

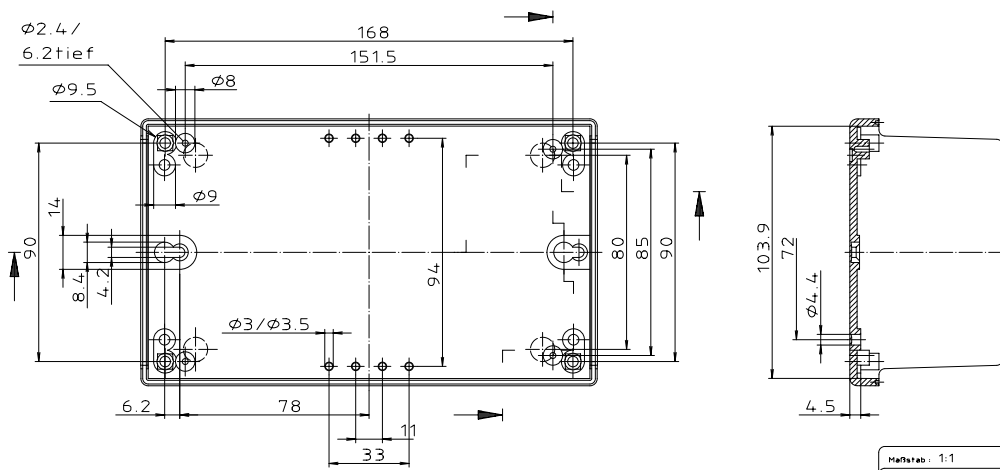
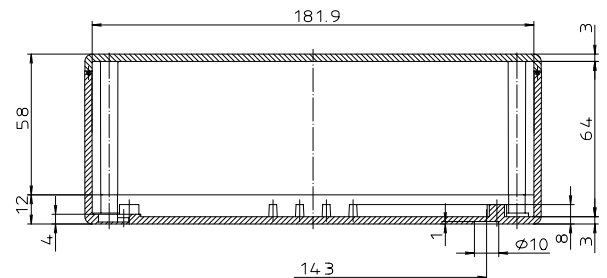
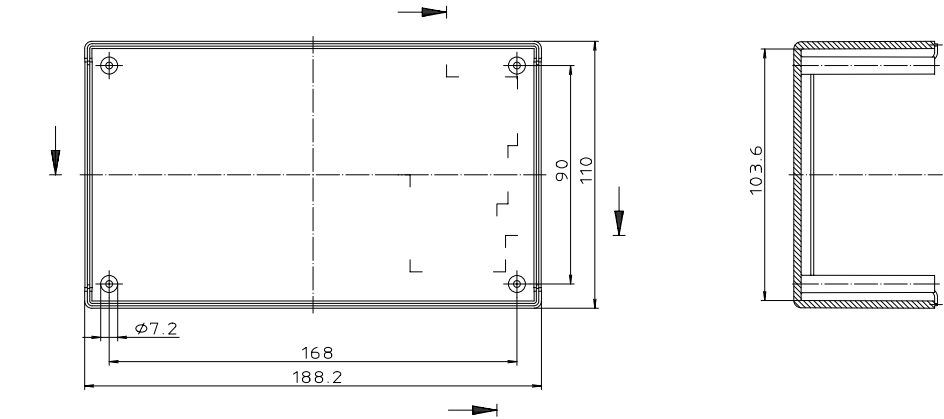
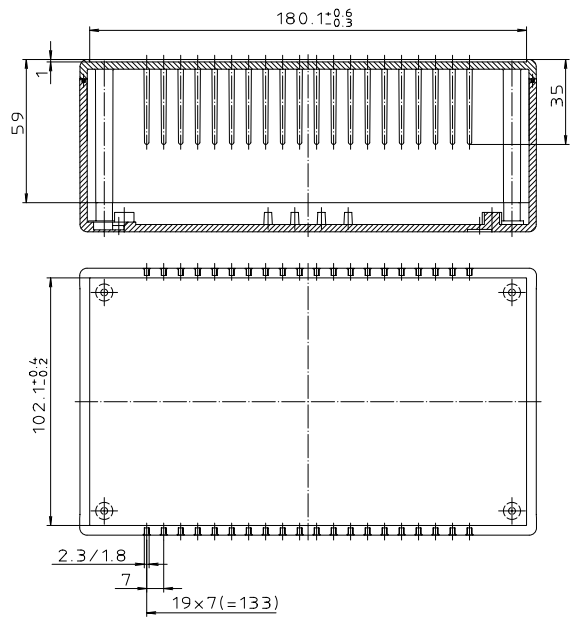
Product no.	Model	Description
25000910	E-DO	Lid fastening at top for Element E 450, for modifications also state lid fixing side
25002000	E-HG	Handle for Element E 450 - E 460
25000300	E-M	Mounting plate for Element E 434 S, E 450 - E470
25002200	E-F	Rubber feet, set = 4 pcs, for Element E 434 S, E 440 - E 470
25001500	E-WL	 Wall brackets for Element E 406 - E 450
22035000	TSH 35	 Universal DIN rail holder



Ausführung E 450 F



Ausführung E 450 FVL



"Schutzvermerk nach DIN 31. Beschriftung"

Maßstab: 1:1			
Zchn.Nr. 1K 450.019.02			
Artikel: E 450 (F) (FVL)			
Katalogzeichnung			
3622	08.08.2002	DISK: 2 801 046	
Ae.Nr.:	Datum:	Datum:	10.08.93 OK