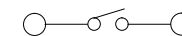
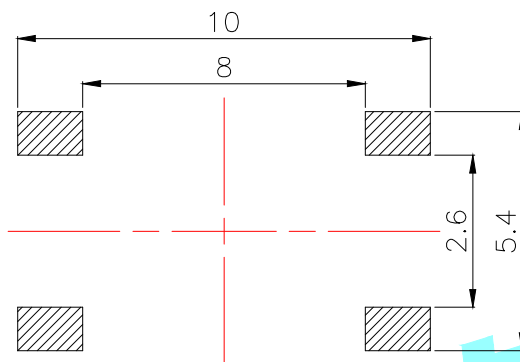
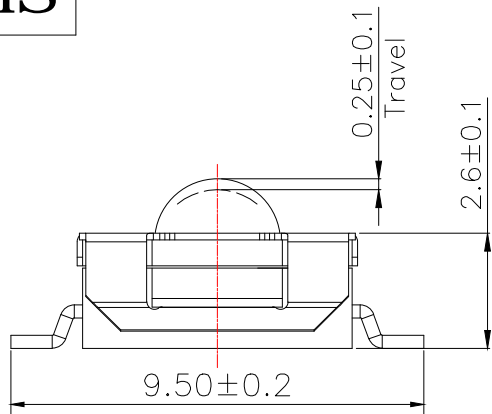
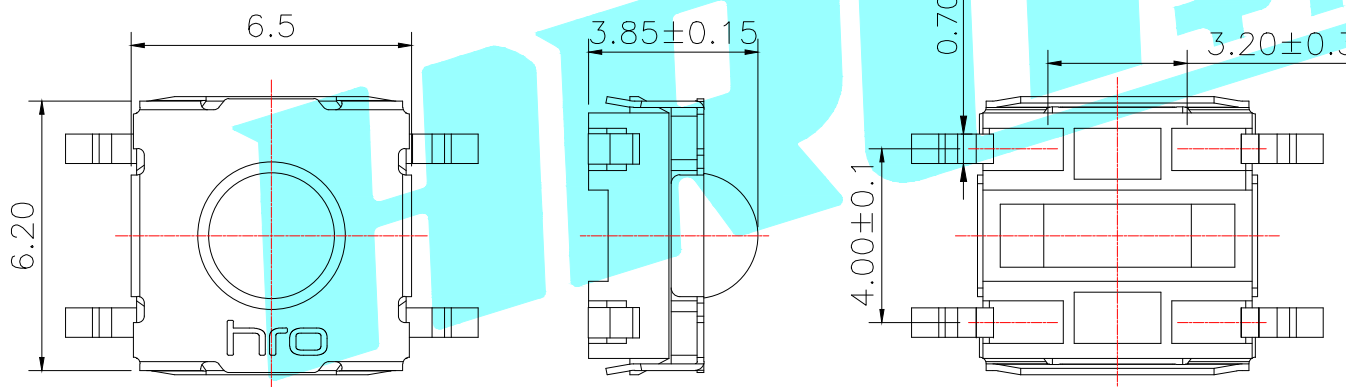


ROHS



Circuit Diagram



NO.1	
PART NO	vigor
4	250±30
6	400±60

NO.2	
PART NO	MATERIAL/QTY
S	SUS/1PC

NO.3-NO.4	
PART NO	NOTE
01~99	SERIAL NUMBER

⑤	Terminal	—	4	Brass	Plating silver	—
④	Contact	—	1	F.Ag/SUS	Natural	—
③	Base	—	1	PPA	Black	—
②	Cover	—	1	SPCC	—	—
①	Keystoke	—	1	Silica gel	Red	—
ITEM	PART NAME	TER'NO.	QTY.	MATERIAL	FINISHING	REMARK

APPROVALS			DATE	 ELECTRONICS CO.,LTD		
DRAWN	LIUCAN		2021.7.14			
CHECKED				TITLE:	TACT SWITCHS	
APPROVALS				PART NO.	K2-1157SX-A□□W-□□	
TOLERANCES ARE	30~以上	±0.30	ANGLE	UNIT: mm	SCALE: 1:1	PROJ:
	10~30	±0.20		DRAWING NO.	SHEET 1 OF 1	
	5~10	±0.15				
	~ 5	±0.10				

ECN NO.	REV.	DATE.	DESCRIPTION.	CHANGE.	CHECK.	APPRO.
—	A	—	NEW	—	—	—