

646529-1 ✓ ACTIVE

Z-PACK | Z-PACK 2mm HM

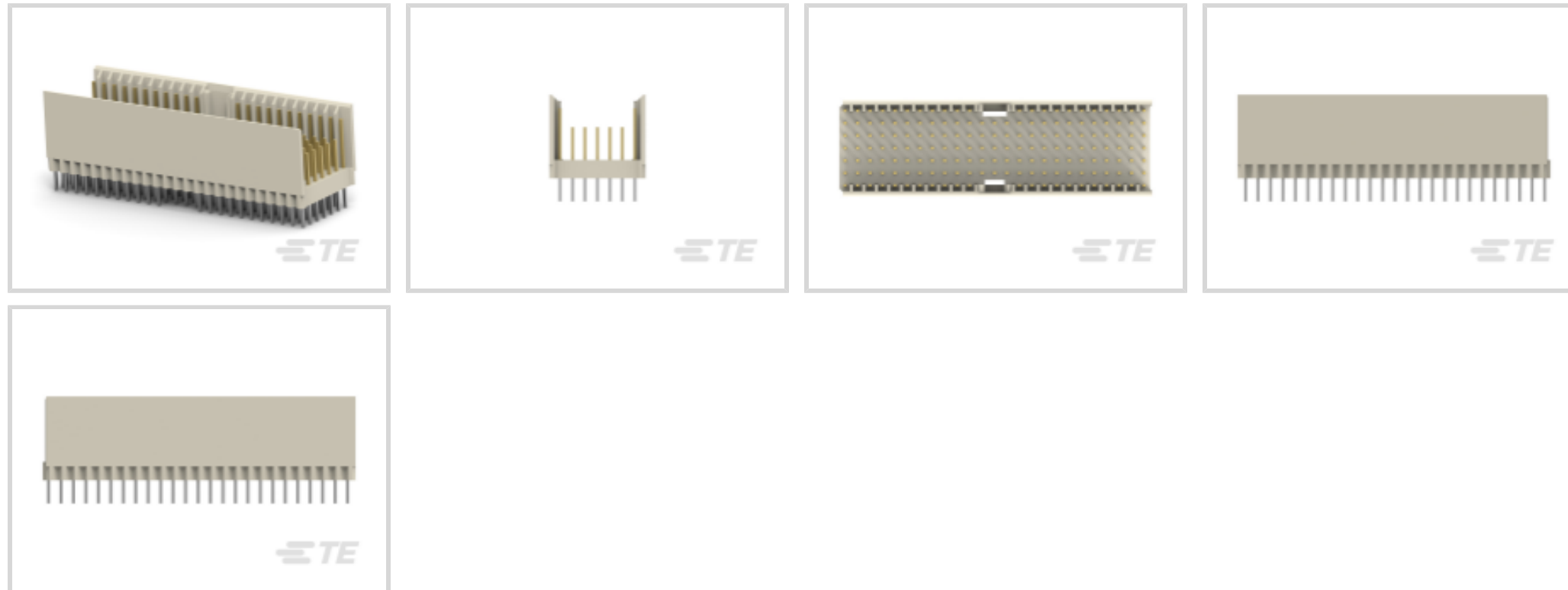
TE Internal #: 646529-1

PCB Mount Header, 1 Gb/s, 25 Column, 7 Row, Traditional Backplane, 169 Position, Z-PACK 2mm HM, Hard Metric Backplane Connectors

[View on TE.com >](#)



Connectors > PCB Connectors > Backplane Connectors > Hard Metric Backplane Connectors



PCB Connector Assembly Type: **PCB Mount Header**

Data Rate: **1 Gb/s**

Number of Columns: **25**

Number of Rows: **7**

Backplane Architecture: **Traditional Backplane**

## Features

### Product Type Features

Connector System	Board-to-Board
Connector & Contact Terminates To	Printed Circuit Board
PCB Connector Assembly Type	PCB Mount Header
Sealable	No

### Configuration Features

Number of Columns	25
Number of Rows	7
Backplane Architecture	Traditional Backplane
Number of Positions	169
PCB Mount Orientation	Vertical

### Signal Characteristics

Data Rate	1 Gb/s
-----------	--------

### Body Features

Primary Product Color	Gray
-----------------------	------



### Contact Features

CompactPCI Designation	None
Contact Underplating Material	Nickel
Contact Base Material	Phosphor Bronze
Contact Mating Area Plating Material	Gold
Contact Mating Area Plating Material Thickness	.38 µm[14.96 µin]
Contact Current Rating (Max)	1.5 A

### Mechanical Attachment

Connector Mounting Type	Board Mount
-------------------------	-------------

### Housing Features

Housing Material	Glass-Filled Polyester
Centerline (Pitch)	2 mm[.079 in]

### Usage Conditions

Operating Temperature Range	-55 – 125 °C[-67 – 257 °F]
-----------------------------	----------------------------

### Operation/Application

Circuit Application	Signal
---------------------	--------

### Industry Standards

UL Flammability Rating	UL 94V-0
------------------------	----------

### Packaging Features

Packaging Quantity	10
Packaging Method	Tube

### Product Compliance

[For compliance documentation, visit the product page on TE.com>](#)

EU RoHS Directive 2011/65/EU	Not Compliant
EU ELV Directive 2000/53/EC	Compliant with Exemptions
China RoHS 2 Directive MIIT Order No 32, 2016	Restricted Materials Above Threshold
EU REACH Regulation (EC) No. 1907/2006	Current ECHA Candidate List: JUNE 2024 (241) Candidate List Declared Against: JUNE 2024 (241) SVHC > Threshold: Pb (13% in Component Part) <small>Article Safe Usage Statements:</small>



Do not eat, drink or smoke when using this product. Wash thoroughly after handling. Recycle if possible and dispose of the article by following all applicable governmental regulations relevant to your geographic location.

Halogen Content

Not Low Halogen - contains Br or Cl > 900 ppm.

Solder Process Capability

Not applicable for solder process capability

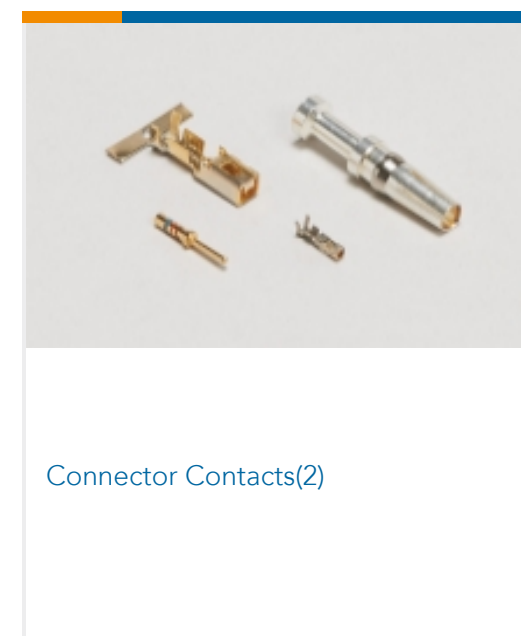
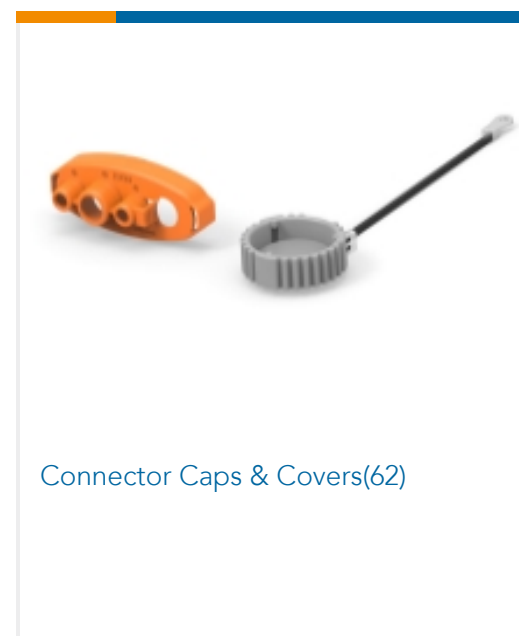
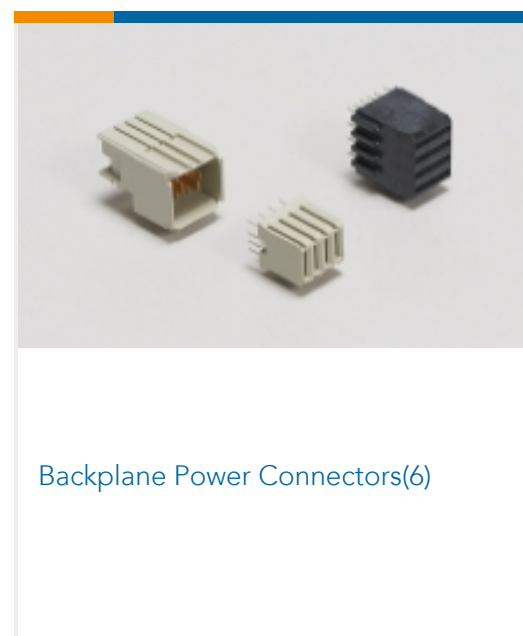
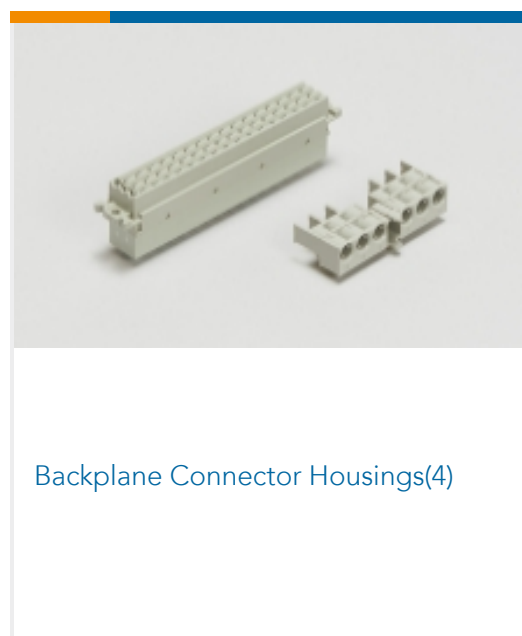
Product Compliance Disclaimer

This information is provided based on reasonable inquiry of our suppliers and represents our current actual knowledge based on the information they provided. This information is subject to change. The part numbers that TE has identified as EU RoHS compliant have a maximum concentration of 0.1% by weight in homogenous materials for lead, hexavalent chromium, mercury, PBB, PBDE, DBP, BBP, DEHP, DIBP, and 0.01% for cadmium, or qualify for an exemption to these limits as defined in the Annexes of Directive 2011/65/EU (RoHS2). Finished electrical and electronic equipment products will be CE marked as required by Directive 2011/65/EU. Components may not be CE marked. Additionally, the part numbers that TE has identified as EU ELV compliant have a maximum concentration of 0.1% by weight in homogenous materials for lead, hexavalent chromium, and mercury, and 0.01% for cadmium, or qualify for an exemption to these limits as defined in the Annexes of Directive 2000/53/EC (ELV). Regarding the REACH Regulation, the information TE provides on SVHC in articles for this part number is based on the latest European Chemicals Agency (ECHA) 'Guidance on requirements for substances in articles' posted at this URL: <https://echa.europa.eu/guidance-documents/guidance-on-reach>

## Compatible Parts

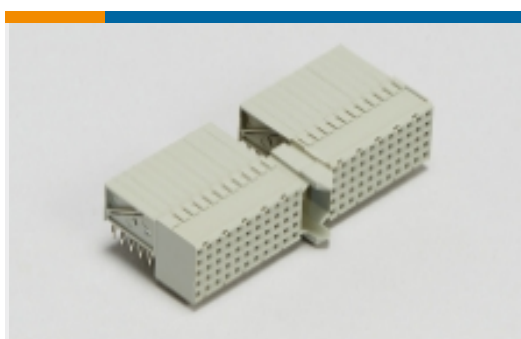


## Also in the Series | Z-PACK 2mm HM

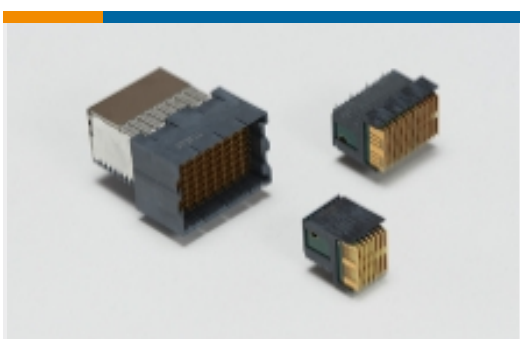




Connector Hardware(97)



Hard Metric Backplane Connectors (267)



High Speed Backplane Connectors(1)

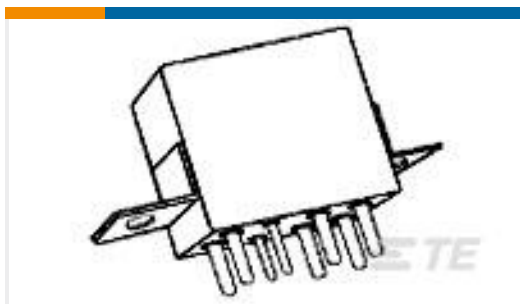


Insertion & Extraction Tools(2)

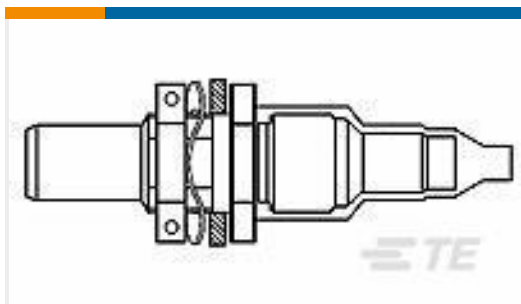


Rectangular Power Connectors(87)

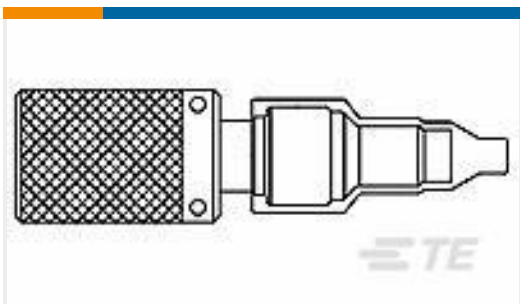
## Customers Also Bought



TE Part #4-1617758-7  
FCB-205-0222M=M83536/2-022M



TE Part #503123-000  
DK-621-0412-S



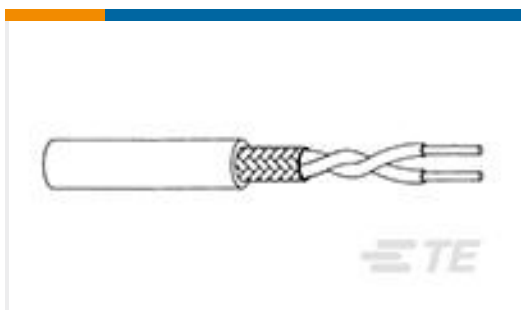
TE Part #902973-000  
DK-621-0411-P



TE Part #6469028-1  
HM-ZD 2PR RECP 40P



TE Part #6469025-1  
HM-ZD 2PR HDR 40P 2.5MM



TE Part #234062-002  
2524E0114-9



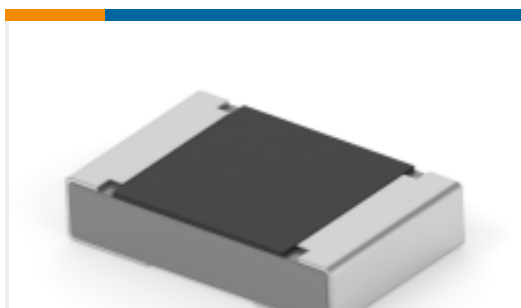
TE Part #YDTS20W11-35PNV001  
RECP ASSY



TE Part #204506-1  
RECEPT ASSY,62 POSN,AMPLIMITE



TE Part #675714-000  
SO96-3-00



TE Part #8-2176483-1  
RA73F 2A 3K74 0.1% 5K RL

## Documents



### Product Drawings

#### Z-PACK 2MM HM TYPE A/B 169P

English

---

### CAD Files

#### 3D PDF

3D

#### Customer View Model

[ENG\\_CVM\\_CVM\\_646529-1\\_B.2d\\_dxf.zip](#)

English

#### Customer View Model

[ENG\\_CVM\\_CVM\\_646529-1\\_B.3d\\_igs.zip](#)

English

#### Customer View Model

[ENG\\_CVM\\_CVM\\_646529-1\\_B.3d\\_stp.zip](#)

English

By downloading the CAD file I accept and agree to the [Terms and Conditions](#) of use.

---

### Product Specifications

#### Application Specification

English