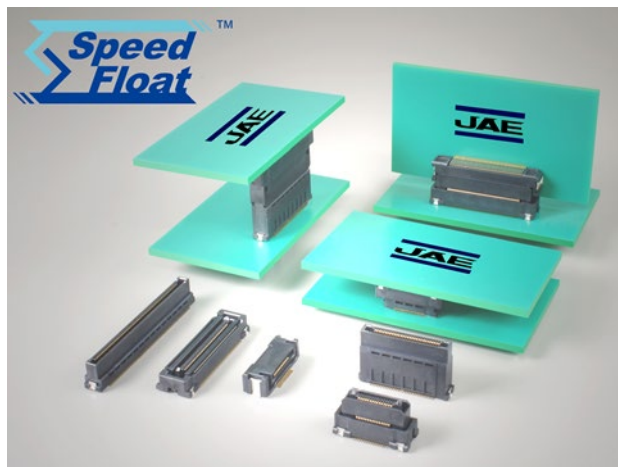


MA01 Series

CONNECTOR

Automotive Grade, High-speed Transmission, MB-0369-2
Floating Board-to-board Connector

Mar.2022

RoHS Compliant

The MA01 Series is the next generation floating board-to-board connector. This product features a highly reliable two-point contact structure, achieving high-speed transmission exceeding 8Gbps. With an operation temperature range of -40°C to 125°C the connector is suitable for harsh temperature environments unique to the automotive industry.

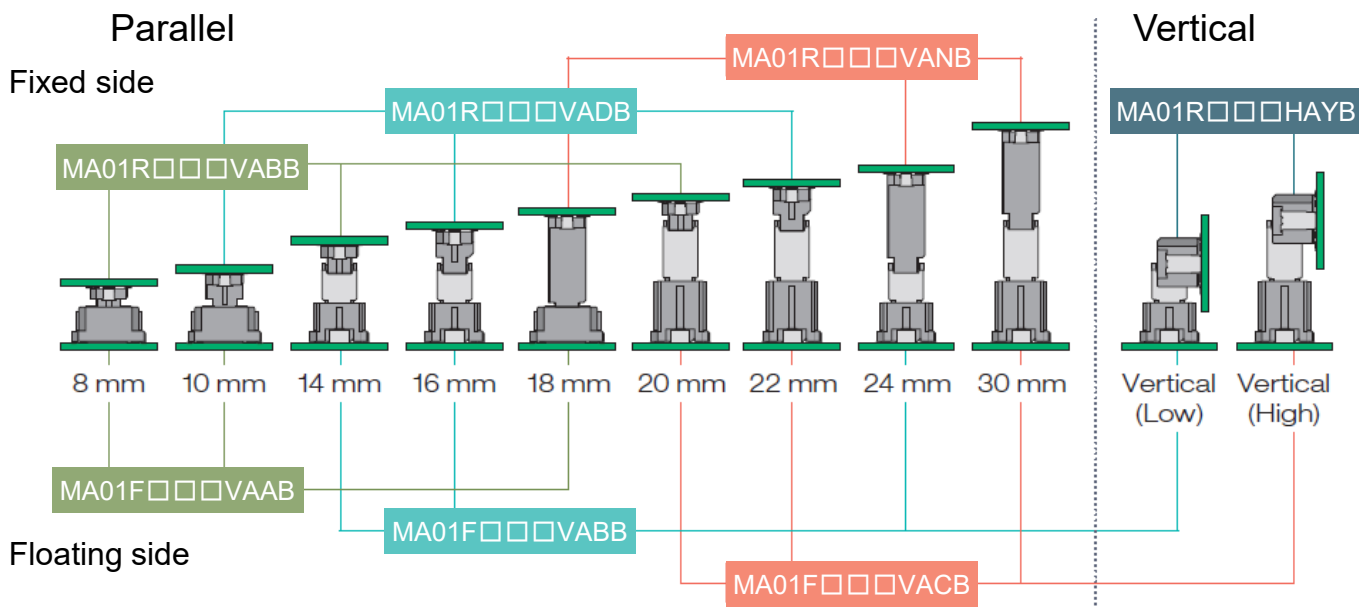
Applicable Markets

On board equipment (ADAS-ECU, Central gateway, etc.), Factory automation equipment, semiconductor manufacturing equipment, office machines, communication equipment, measuring equipment, broadcasting equipment and other various applications

Features

- Floating tolerance: ± 0.5 mm in both X-axis & Y-axis directions
- Stacking height tolerance between boards: ± 0.5 mm in Z-axis direction
- Two-point contact structure ensures high contact reliability
- Low insertion and removal forces achieved by roll surface contact structure
- Operating temperature range: -40° C to +125° C
- 8 Gbps+ high-speed transmission (10 GBASE-KR and PCIe Gen3 equivalent)
- Excellent mating process with large guides , supporting automatic assembly and mating (mating guide length: ± 1.0 mm)
- Supports automatic mounting
- Multiple connectors can be used to interface between the same pair of PCB's
- Keyed to prevent mis-mating

MA01 Series Variations



Internal board-to-board connection, tolerance in Z direction: ± 0.5 mm

Floating Side Connector Part Number	Fixed Side Connector Part Number	Mating Height (mm)	Number of Contacts							
			30	40	60	80	90	100	120	140
MA01F□□□VAAB	MA01R□□□VABB	8	●	●	●	●	●	●	●	●
MA01F□□□VAAB	MA01R□□□VADB	10	●	●	●	●	●	●	●	●
MA01F□□□VABB	MA01R□□□VABB	14	●	●	●	●	●	●	●	●
MA01F□□□VABB	MA01R□□□VADB	16	●	●	●	●	●	●	●	●
MA01F□□□VAAB	MA01R□□□VANB	18	●	●	●	●	●	●	●	●
MA01F□□□VACB	MA01R□□□VABB	20	●	●	●	●	●	●	●	●
MA01F□□□VACB	MA01R□□□VADB	22	●	●	●	●	●	●	●	●
MA01F□□□VABB	MA01R□□□VANB	24	●	●	●	●	●	●	●	●
MA01F□□□VACB	MA01R□□□VANB	30	●	●	●	●	●	●	●	●
MA01F□□□VABB	MA01R□□□HAYB	Vertical (L)	●	●	●	●	●	●	●	●
MA01F□□□VACB	MA01R□□□HAYB	Vertical (H)	●	●	●	●	●	●	●	●

□□□ Number of Contacts

(The squares in the Part Number represent pin count)

General Specifications

Pitch	0.635 mm pitch
Number of Contacts	30, 40, 60, 80, 90, 100, 120, 140 positions
Stacking Height	8, 10, 14, 16, 18, 20, 22, 24, 30 mm
Floating Movable Amount	X direction: ± 0.5 mm, Y direction: ± 0.5 mm
Operating Temperature Range	-40°C to +125°C (including conduction temperature rise)
Rated Current	0.5A
Rated Voltage	AC50V rms.
Contact Resistance	Initial: 50m Ω max. / After test: 100m Ω max.
Dielectric Withstanding Voltage	AC250V rms., conduction for 1 minute
Insulation Resistance	100M Ω min.
Durability	100 mating cycles

Materials and Finishes

Floating Connector

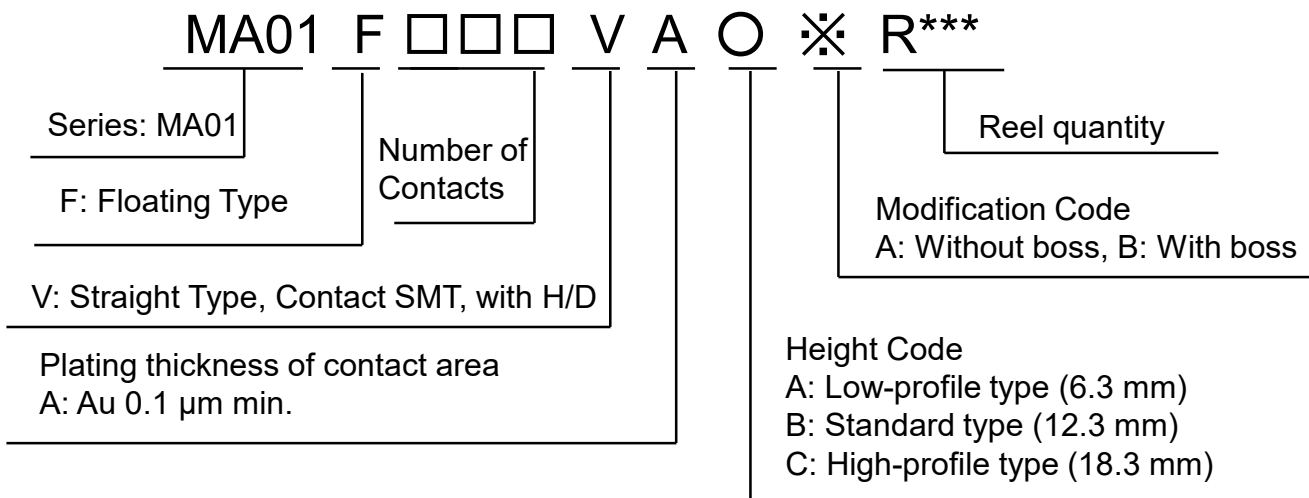
Component	Materials	Finishes
Fixed Insulator	LCP	N/A
Floating Insulator	LCP	N/A
Contact	Copper alloy	Au plating
Hold-down	Copper alloy	Sn plating
Cap	Stainless steel	N/A

Fixed Connector

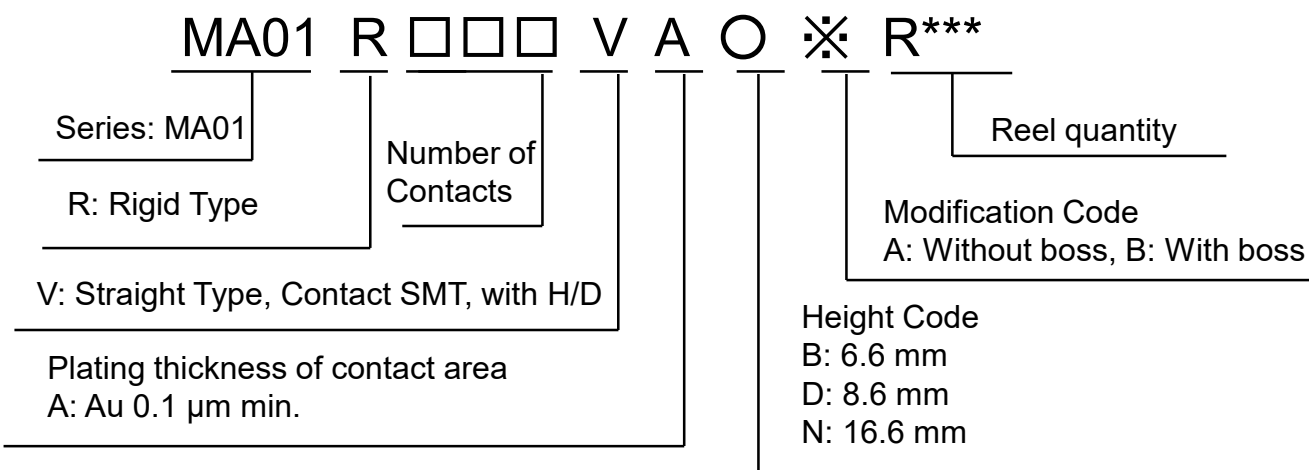
Component	Materials	Finishes
Insulator	LCP	N/A
Contact	Copper alloy	Au plating
Hold-down	Copper alloy	Sn plating
Cap	Stainless steel	N/A

Ordering Information

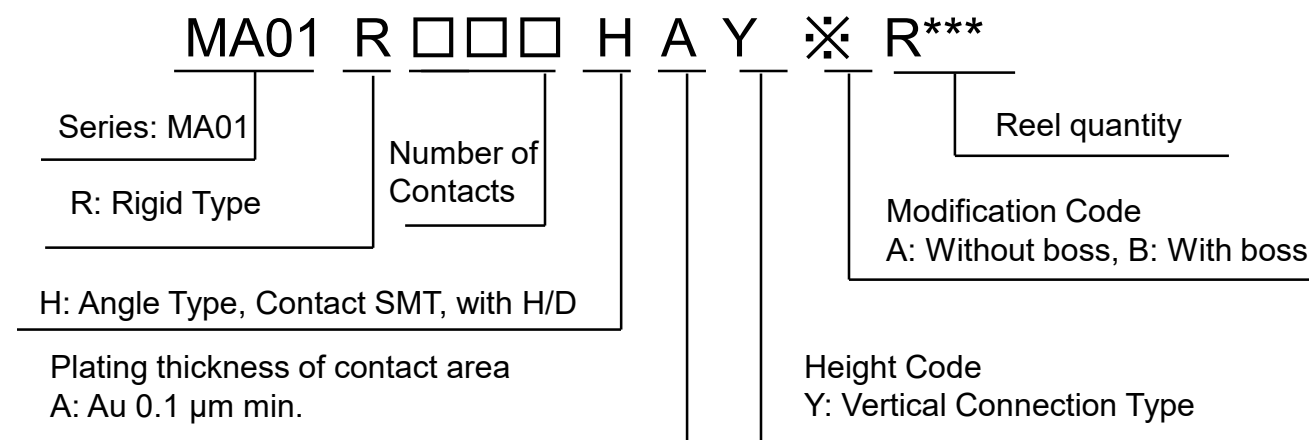
Floating Straight Connector



Fixed Straight Connector



Fixed Right-angle Connector



Note) Please contact JAE local Sales for details.

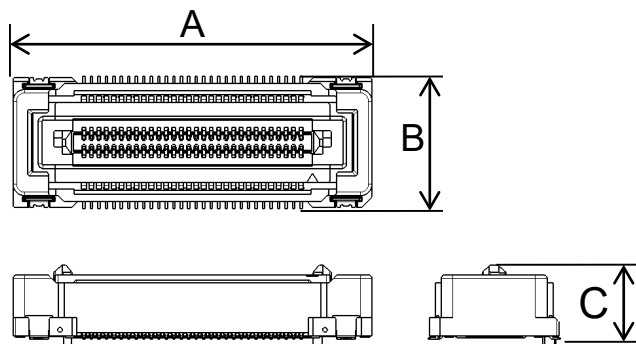
Outer Dimensions

Floating Connector (Low-profile type)

Unit: mm

[MA01F□□□VAAB]

Number of Contacts	A	B	C
30	20.925	11.2	6.3
40	24.1		
60	30.45		
80	36.8		
90	39.975		
100	43.15		
120	49.5		
140	55.85		

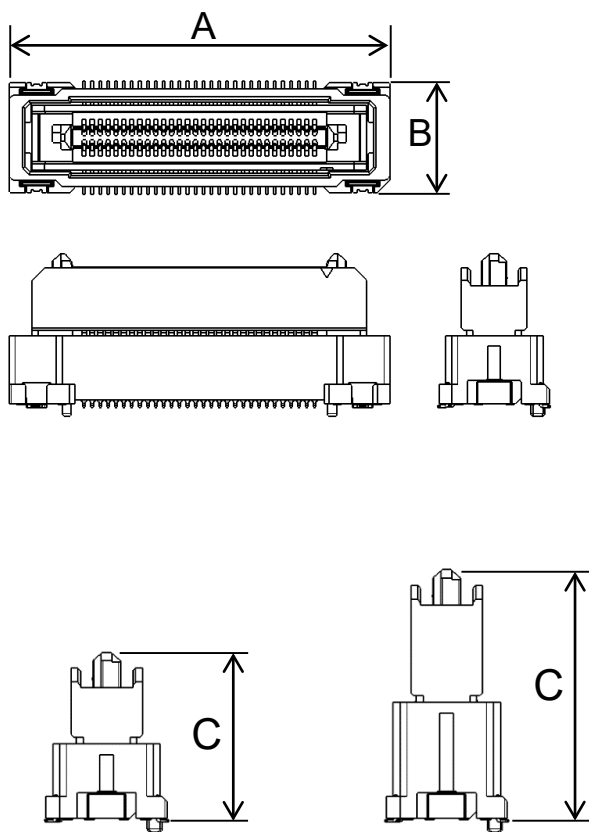


Floating Connector (Standard, High-profile type)

Unit: mm

[MA01F□□□VABB] [MA01F□□□VACB]

Number of Contacts	A	B
30	20.925	8.8
40	24.1	
60	30.45	
80	36.8	
90	39.975	
100	43.15	
120	49.5	
140	55.85	



[MA01F□□□VABB] [MA01F□□□VACB]

Unit: mm

Part Number	C
MA01F□□□VABB	12.3
MA01F□□□VACB	18.3

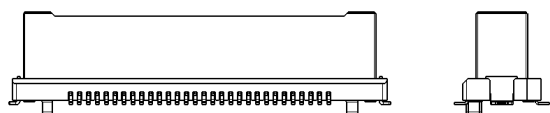
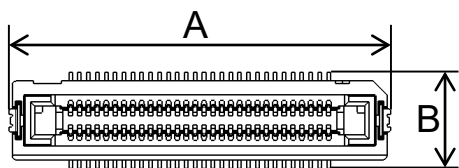
Outer Dimensions

Fixed Straight Connector

[MA01R□□□VABB] [MA01R□□□VADB] [MA01R□□□VANB]

Unit: mm

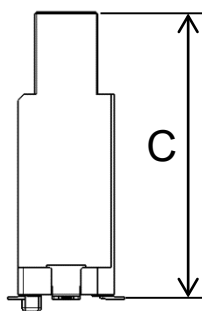
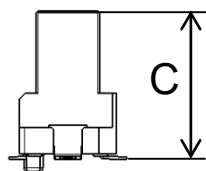
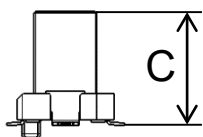
Number of Contacts	A	B
30	17.745	6.8
40	20.92	
60	27.27	
80	33.62	
90	36.795	
100	39.97	
120	46.32	
140	52.67	



[MA01R□□□VADB]

Unit: mm

Part Number	C
MA01R□□□VABB	6.6
MA01R□□□VADB	8.6
MA01R□□□VANB	16.6



[MA01R□□□VABB]

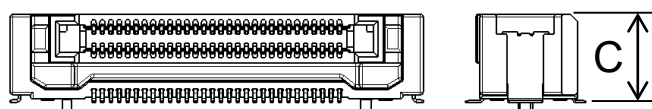
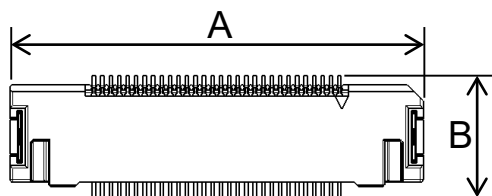
[MA01R□□□VANB]

Fixed Right-angle Connector

[MA01R□□□HAYB]

Unit: mm

Number of Contacts	A	B	C
30	21.425	9.0	6.6
40	24.6		
60	30.95		
80	37.3		
90	40.475		
100	43.65		
120	50.0		
140	56.35		



Part and Drawing Numbers

Part Numbers	Drawing Numbers	Specifications	Handling Instructions
MA01F□□□VAAB	SJ124128(Individual product)	JACS-11300	JAHL-11300
MA01F□□□VAABR500	SJ124129(Reeled product)		
MA01F□□□VABB	SJ123188(Individual product)		
MA01F□□□VABBR300	SJ123189(Reeled product)		
MA01F□□□VACB	SJ123194(Individual product)		
MA01F□□□VACBR150	SJ123195(Reeled product)		
MA01R□□□VABB	SJ123190(Individual product)		
MA01R□□□VABBR600	SJ123191(Reeled product)		
MA01R□□□VADB	SJ124126(Individual product)		
MA01R□□□VADBR500	SJ124127(Reeled product)		
MA01R□□□VANB	SJ123196(Individual product)		
MA01R□□□VANBR200	SJ123197(Reeled product)		
MA01R□□□HAYB	SJ123192(Individual product)		
MA01R□□□HAYBR600	SJ123193(Reeled product)		

□□□: Number of Contacts (030, 040, 060, 080, 090, 100, 120, 140 positions)

Notice:

1. The values specified in this brochure are only for reference. The products and their specifications are subject to change without notice. Contact our sales staff for further information before considering or ordering any of our products. For purchase, a product specification must be agreed upon.

2. Users are requested to provide protection circuits and redundancy circuits to ensure safety of the equipment, and sufficiently review the suitability of JAE's products to the equipment.

3. The products presented in this brochure are designed for the uses recommended below. We strongly suggest you contact our sales staff when considering use of any of the products in any other way than the recommended applications or for a specific use that requires an extremely high reliability.

(1) Applications that require consultation:

(i) Please contact us if you are considering use involving a quality assurance program that you specify or that is peculiar to the industry, such as:

Automotive electrical components, train control, telecommunications devices (mainline), traffic light control, electric power, combustion control, fire prevention or security systems, disaster prevention equipment, etc.

(ii) We may separately give you our support with a quality assurance program that you specify, when you think of a use such as:

Aviation or space equipment, submarine repeaters, nuclear power control systems, medical equipment for life support, etc.

(2) Recommended applications include:

Computers, office appliances, telecommunications devices (terminals, mobile units), measuring equipment, audiovisual equipment, home electric appliances, factory automation equipment, etc.

Japan Aviation Electronics Industry, Limited

* The specifications in this brochure are subject to change without notice. Please contact JAE for information.