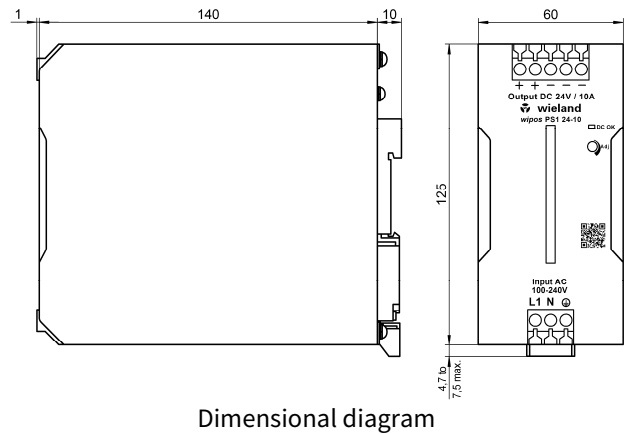
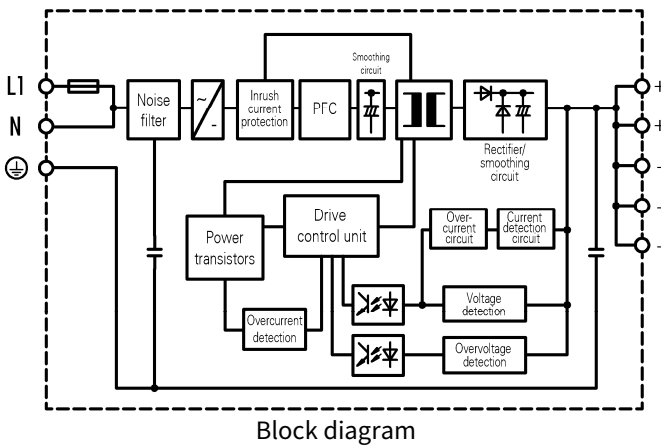




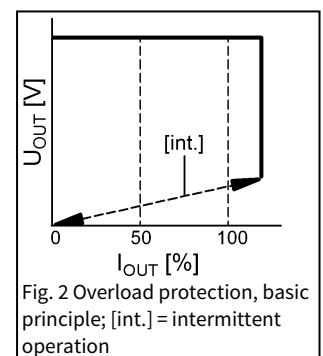
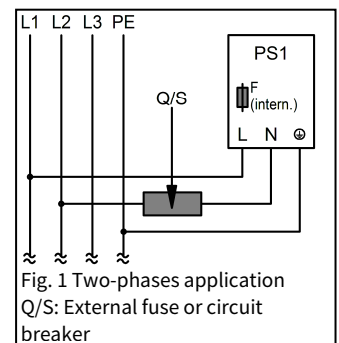
wipos PS1 24-10
 Switching power supply
 24 V DC/10 A
 81.000.6540.0

- Primary switching power supply, single phase
- Output: 24 V DC/10 A (adjustable 21.6 - 27.6 V DC)
- Input: 85 - 264 V AC; 90 - 350 V DC
- Full load up to 60 °C
- PFC technology
- Vertical mount
- Parallel operation (2 devices max.)



Technical data

wipos PS1 24-10	Part number: 81.000.6540.0
Input (L1, N)	
Rated voltage AC	100 ... 240 V AC
Voltage range AC	85 ... 264 V AC
Line frequency AC	47 ... 63 Hz
Voltage range DC	90 ... 350 V DC
Rated input current 115/230 V AC typ.	2.4 A/1.3 A
Inrush current 115/230 V AC max.	16 A/32 A (5ms)
Input fuse	8 A/250 V (internal)
Power factor correction filter (PFC)	yes (0.9 typ. at $U_1 = 230$ V AC)
Two-phases application	85 - 264 V AC (see Fig. 1 Two-phases application) A fuse or circuit breaker has to be connected on N terminal
Output (+, -)	
Rated output power	240 W
Rated output voltage	24 V DC
Rated output current	10 A DC
Operation indicator Output voltage OK	"DC OK", LED green Display range ($U_o < 19.4$)
Output voltage trim range	21.6 V ... 27.6 V
Rated overload protection	121 % - 160 % (see Fig. 2 Overload protection)
Power boost function	120 %, max. 10 sec.
Efficiency typ.	92 %
Line regulation	±0.5 %
Load regulation	1.5 %
Temperature coefficient	±0.05 %/C



Technical data

wipos PS1 24-10		Part number: 81.000.6540.0
Ripple & noise	< 180 mV _{ss}	
Hold up time 115/230 V AC	> 44 ms	
Parallel operation	yes (max. 2 devices)	
Parallel operation	yes (max. 2 devices with external diodes)	
General data		
Isolation voltage (input/output)	3000 V AC/4242 V DC	
Isolation resistance (input/output)	100 MOhm	
Operating ambient temperature	-40 °C ... +70 °C (UL: max. 40 °C)	
Storage temperature	-40 °C ... +85 °C	
Derating	A. 61 °C ... 70 °C: 2.5 %/K B. 50 °C ... 70 °C: 2.5 %/K (see Fig. 3 Derating)	
Humidity in operation	0 - 95 % RH, non-condensing	
Ventilation/Cooling	Free convection	
MTBF	360,000 h	
Pollution degree	2	
Degree of protection	IP 20	
Safety class	1	
Mounting	DIN rail 35 mm (EN 60715)	
Mounting conditions (free space)	20 mm horizontal, 75 mm vertical	
Dimensions (W x H x D)	60 x 125 x 150 mm	
Weight	900 g	
Housing material	Metal	
Connections		
Connector cross section input	solid/stranded	0.5 - 6 mm ² /0.5 - 4 mm ² (AWG20 - 10/AWG20 - 12)
Connector cross section output	solid/stranded	2.5 - 6 mm ² /2.5 - 4 mm ² (AWG14 - 10/AWG14 - 12)
Connector cross section PE	solid/stranded	min. 2.5 mm ² (AWG14)
Strip length	8 mm	
Torque	4.43 ... 5.31 lb-in max.	
Approvals and Standards		
Standards	SELV: EN50178 / EN60950-1 / UL60950-1 PELV: EN50178 / EN60204-1	
Approvals	CE / cURus / cULus / LR	
Control elements		
Adj	Trim potentiometer for fine adjustment of U _o	
Terminal assignment		
+	2 x output voltage 24 V, positive output terminal (internally connected)	
-	3 x output voltage 24 V, negative output terminal (internally connected)	
L1	AC: phase conductor, DC: no polarity	
N	AC: neutral conductor, DC: no polarity	
⊕ (PE)	PE (Ground), always connect	

