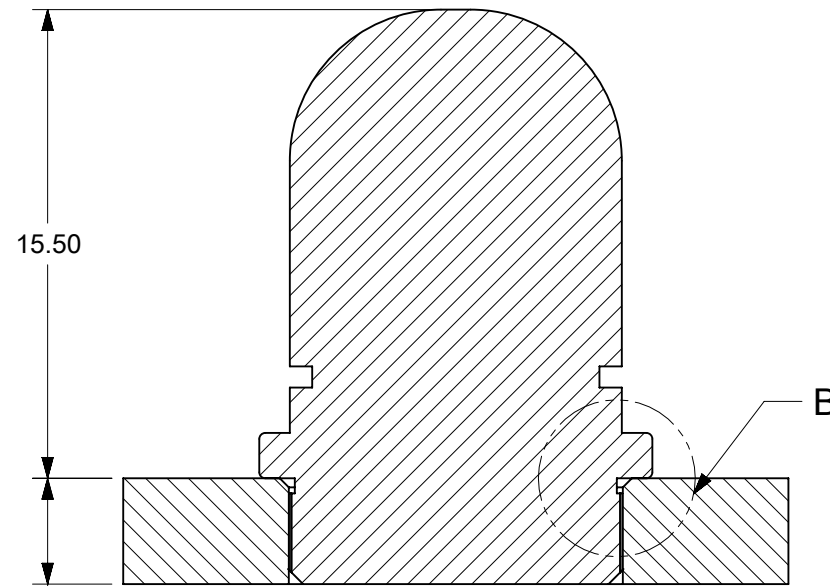
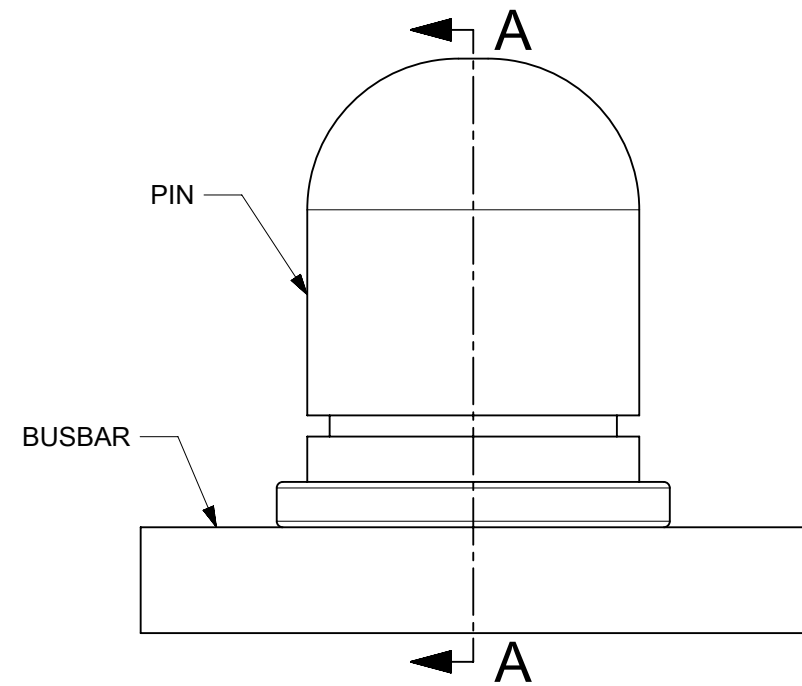
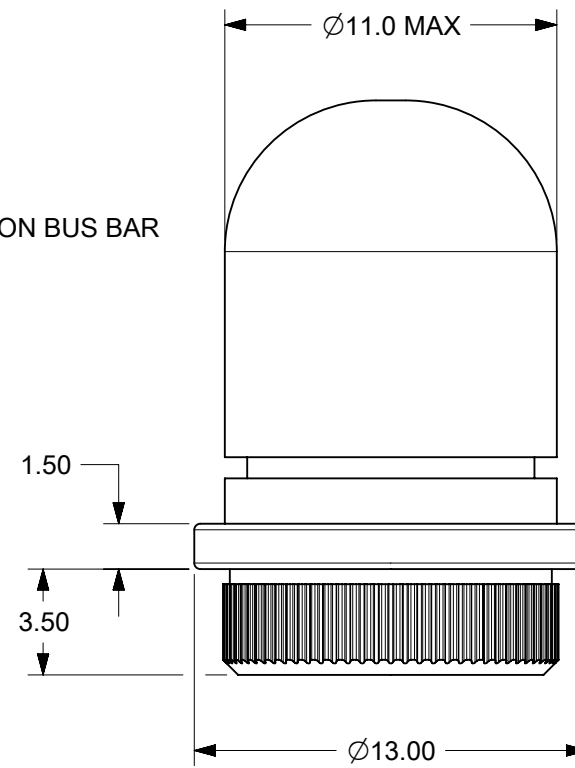


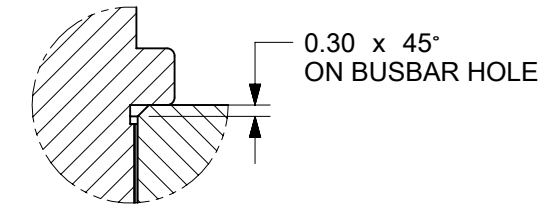
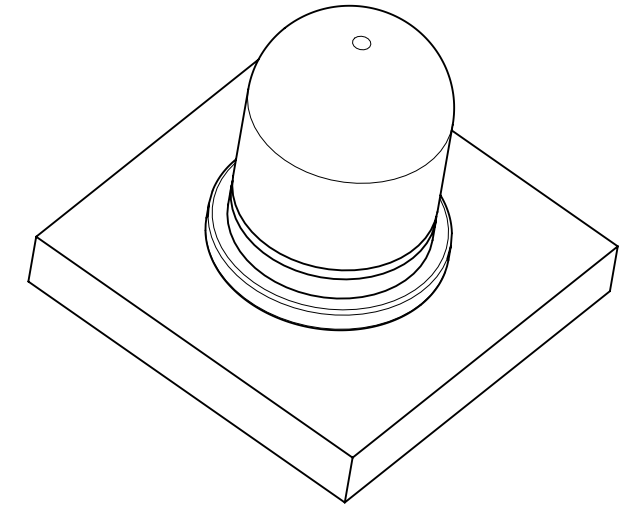
BUS BAR LAYOUT: COMPONENT SIDE

Ø11.05 ±0.02  
(USE REAMER)  
HOLE REQUEST ON BUS BAR



(3.50)  
SEE NOTE 6

SECTION A-A



DETAIL B  
SCALE 5:1

NOTES:

- MATERIALS:  
BASE METAL: HIGH CONDUCTIVE COPPER ALLOY  
PLATING ON BODY: 3.18 MICRON MIN SILVER OVER 1.27 MICRON MIN NICKEL
- SILVER COMPONENTS WILL BE SUPPLIED TARNISH FREE BUT MAY TARNISH OVER TIME.
- MINIMUM RECOMMENDED BUSBAR THICKNESS IS 1.5MM
- PRODUCT SPECIFICATION: 2182310001-PS
- APPLICATION SPECIFICATION: 2182310001-AS
- PACKAGING SPECIFICATION: BULK PACKAGING AS PER 2183350001-PK

THIS DRAWING CONTAINS INFORMATION THAT IS PROPRIETARY TO MOLEX ELECTRONIC TECHNOLOGIES, LLC AND SHOULD NOT BE USED WITHOUT WRITTEN PERMISSION									
DIMENSION UNITS	SCALE	CURRENT REV DESC: PRODUCT RELEASE							
mm	4:1	<p><b>molex</b></p> <p>11MM SW1 PRESS-FIT LOCKING PIN</p> <p>PRODUCT CUSTOMER DRAWING</p> <p>DOCUMENT NUMBER: 2183360001   DOC TYPE: PSD   DOC PART: 000   REVISION: B2</p> <p>MATERIAL NUMBER: 2183360001   CUSTOMER: GENERAL MARKET   SHEET NUMBER: 1 OF 1</p>							
GENERAL TOLERANCES (UNLESS SPECIFIED)									
ANGULAR TOL	± 0.5°								
4 PLACES	±								
3 PLACES	±								
2 PLACES	± 0.15								
1 PLACE	± 0.25								
0 PLACES	±								
DRAFT WHERE APPLICABLE MUST REMAIN WITHIN DIMENSIONS		THIRD ANGLE PROJECTION	DRAWING	SERIES	MATERIAL NUMBER	CUSTOMER	SHEET NUMBER		
			B-SIZE	218336	2183360001	GENERAL MARKET	1 OF 1		