

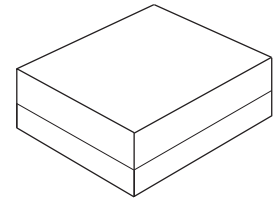
Complies with Directive 2002/95/EC (RoHS)

### Absolute Maximum Ratings

| Rating   | Value      | Units |
|--|------------|-------|
| Input Power Level                                    | 13         | dBm   |
| DC Voltage   | 0          | VDC   |
| Specification Temperature Range                      | -40 to +85 | °C    |
| Storage Temperature Range                            | -40 to +85 | °C    |
| Moisture Sensitivity Level: 3                        |            |       |
| Symbolization: 16J    Package size: SMD 1.4 x 1.1 mm |            |       |

**SF2735K**

**925 MHz  
SAW Filter**



SM1411-5

### Electrical Characteristics

Terminating source impedance (single):  $Z_s = 50 \Omega$

Terminating load impedance (single):  $Z_L = 50 \Omega$

| Item   | Unit | Min. | Typ. | Max. | Note |
|--|------|------|------|------|------|
| <b>Center Frequency</b> $F_c$                    | MHz  | -    | 925  | -    | -    |
| <b>Insertion Loss</b> (922.5 ~ 927.5 MHz) @ 25°C | IL   | -    | 2.8  | 3.5  | -    |
| <b>VSWR S11/S22</b> (922.5 ~ 927.5 MHz)          |      | -    | 1.4  | 2    | -    |
| <b>Attenuation</b> (reference level from 0 dB)   |      |      |      |      |      |
| 10~710 MHz                                       | dB   | 35   | 40   | -    | -    |
| 710~900 MHz                                      | dB   | 34   | 40   | -    | -    |
| 900~908 MHz @ 25°C                               | dB   | 30   | 33   | -    | -    |
| 930~932 MHz @ 25°C                               | dB   |      | 6    | -    | -    |
| 932~935 MHz @ 25°C                               | dB   | 7    | 20   | -    | -    |
| 935~945 MHz                                      | dB   | 15   | 20   | -    | -    |
| 945~960 MHz                                      | dB   | 35   | 40   | -    | -    |
| 960~1000 MHz                                     | dB   | 35   | 40   | -    | -    |
| 1000~1215 MHz                                    | dB   | 35   | 40   | -    | -    |
| 1215~2000 MHz                                    | dB   | 30   | 35   | -    | -    |
| 2000~3600 MHz                                    | dB   | 30   | 35   | -    | -    |

\* Typical values are based on average measurements at +25°C

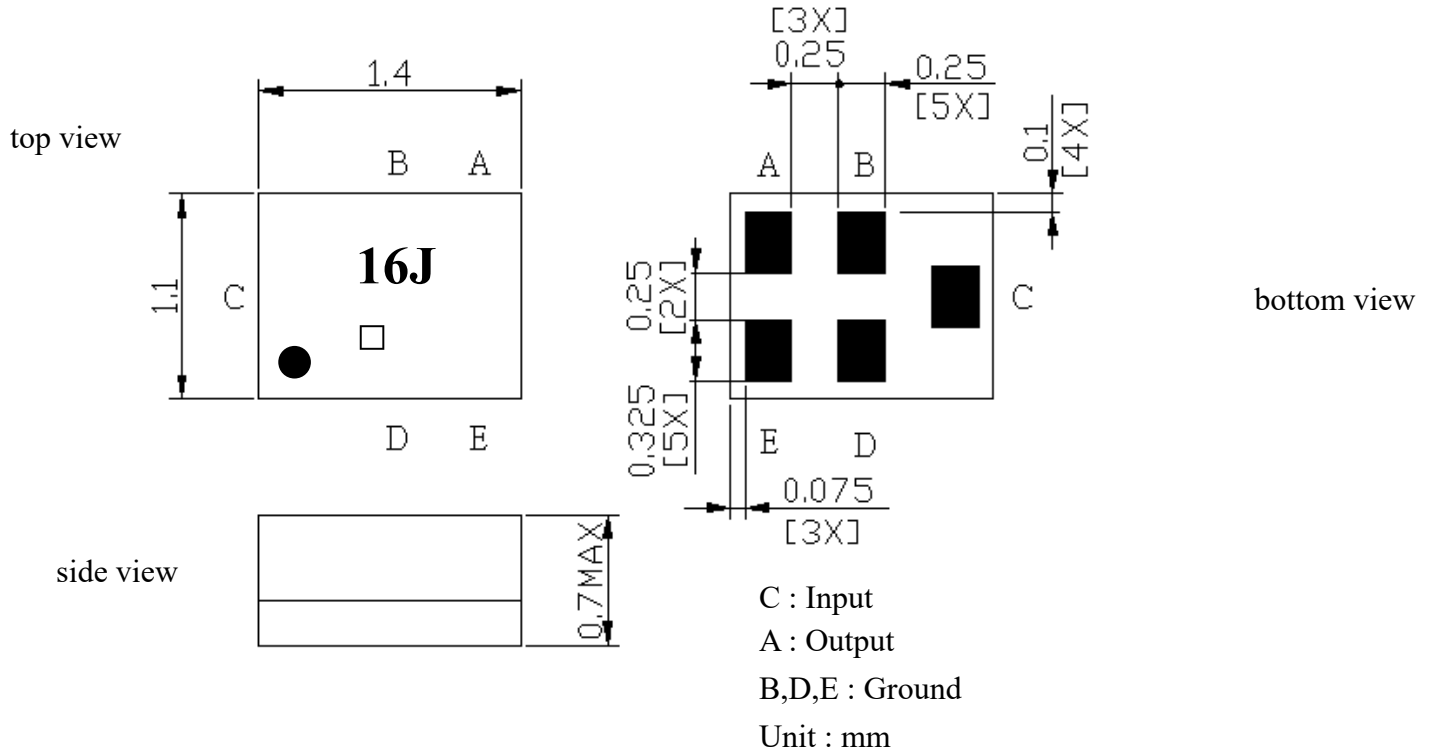


**CAUTION: Electrostatic Sensitive Device. Observe precautions for handling.**

**NOTES:**

1. The design, manufacturing process, and specifications of this device are subject to change.
2. US or International patents may apply.
3. RoHS compliant from the first date of manufacture.

# Outline Drawing

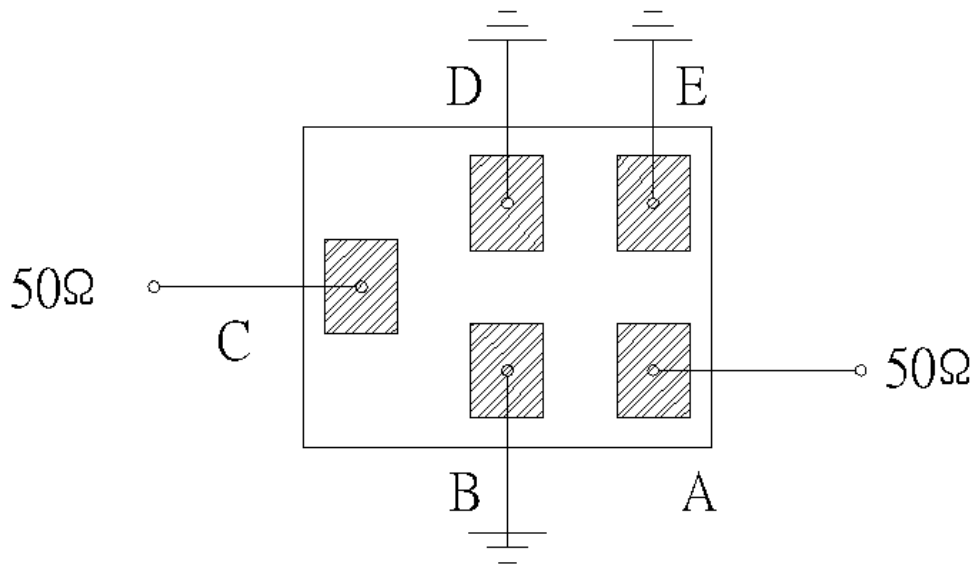


Marking:

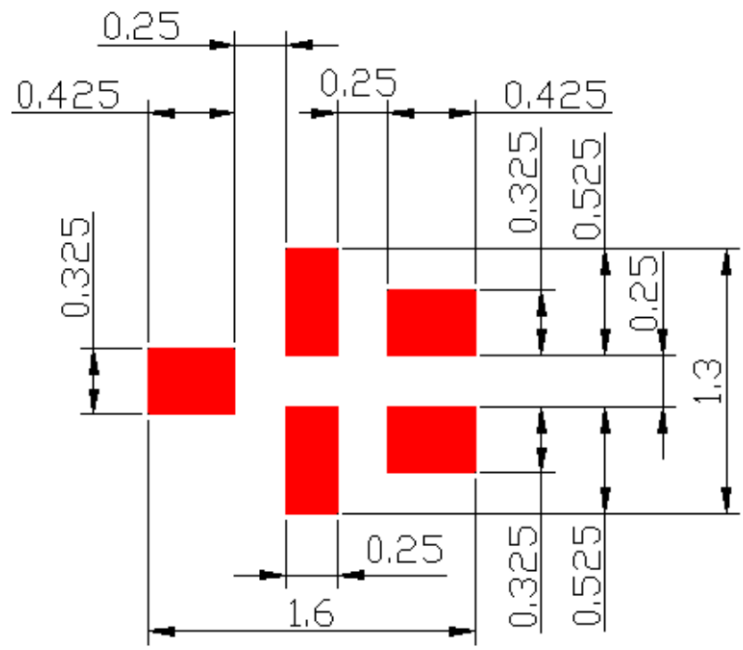
16J (assigned by manufacturer)


□ : Year/Month Code

## Measurement Circuit

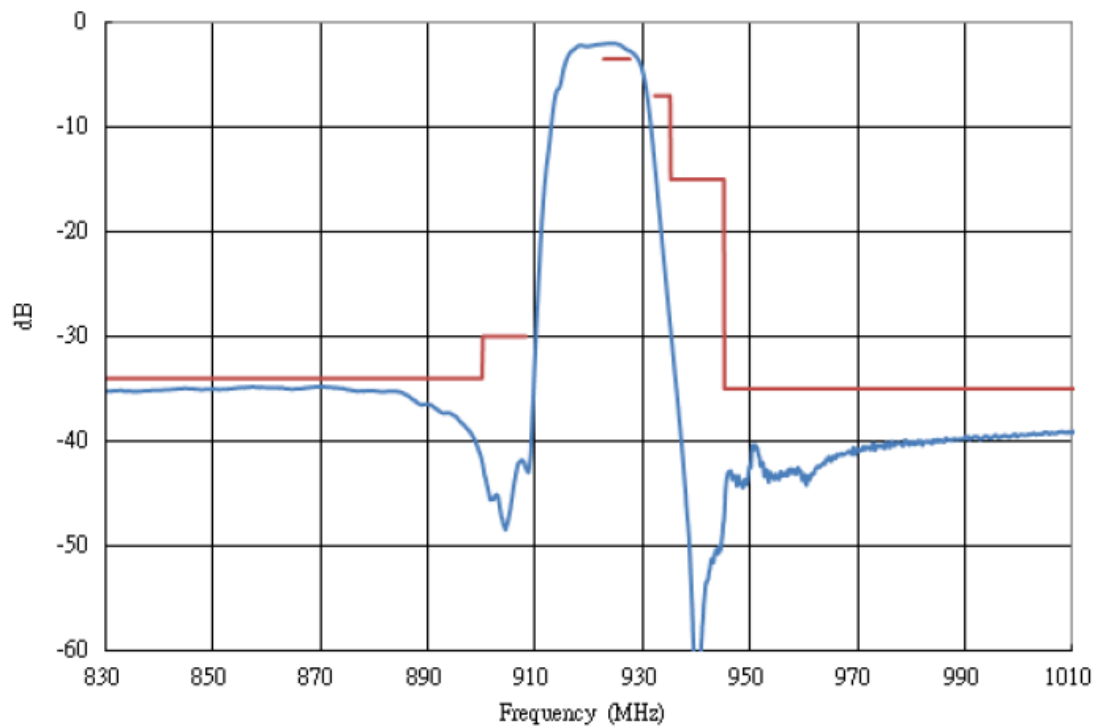
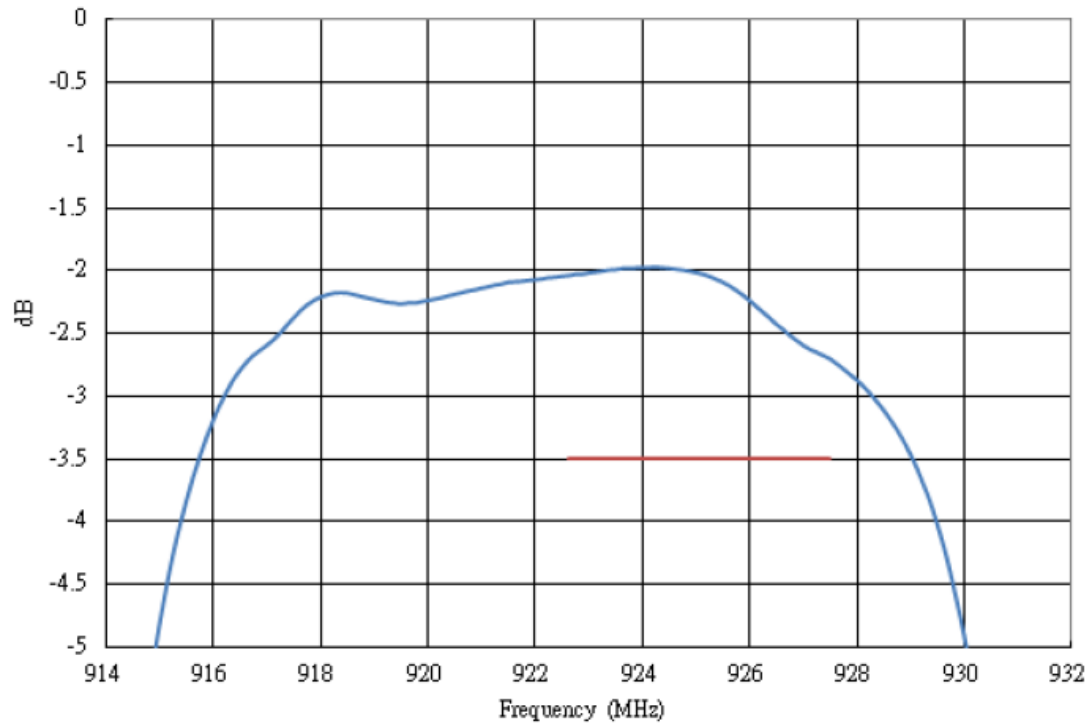


## PCB Footprint



 : Land Pattern  
Unit : mm

## Frequency Characteristics

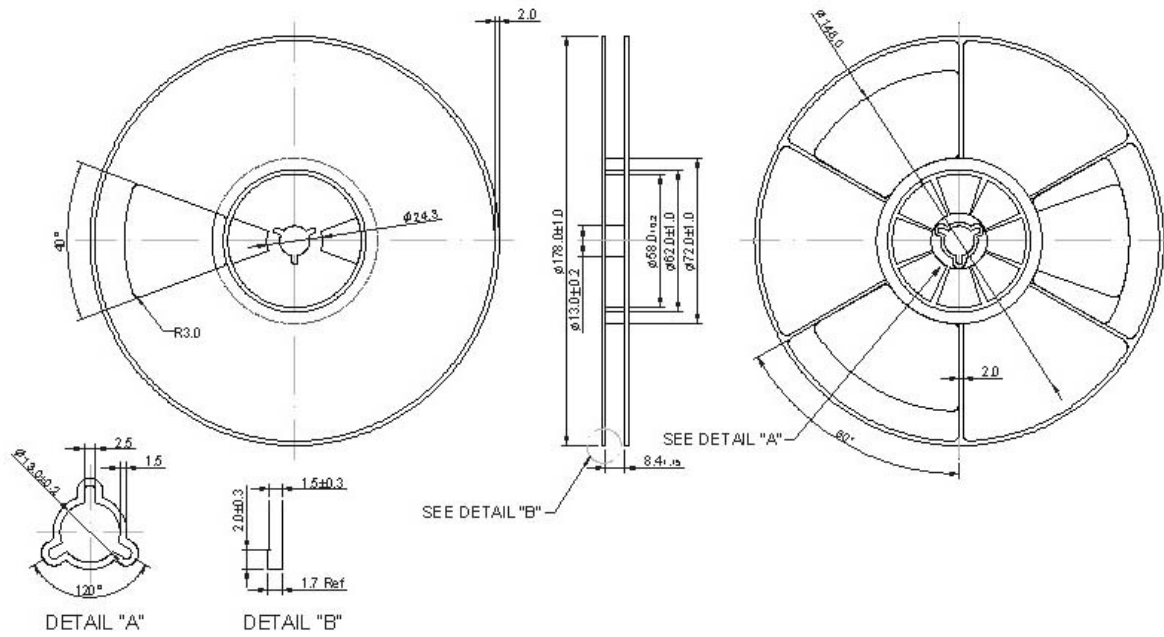


# Packing

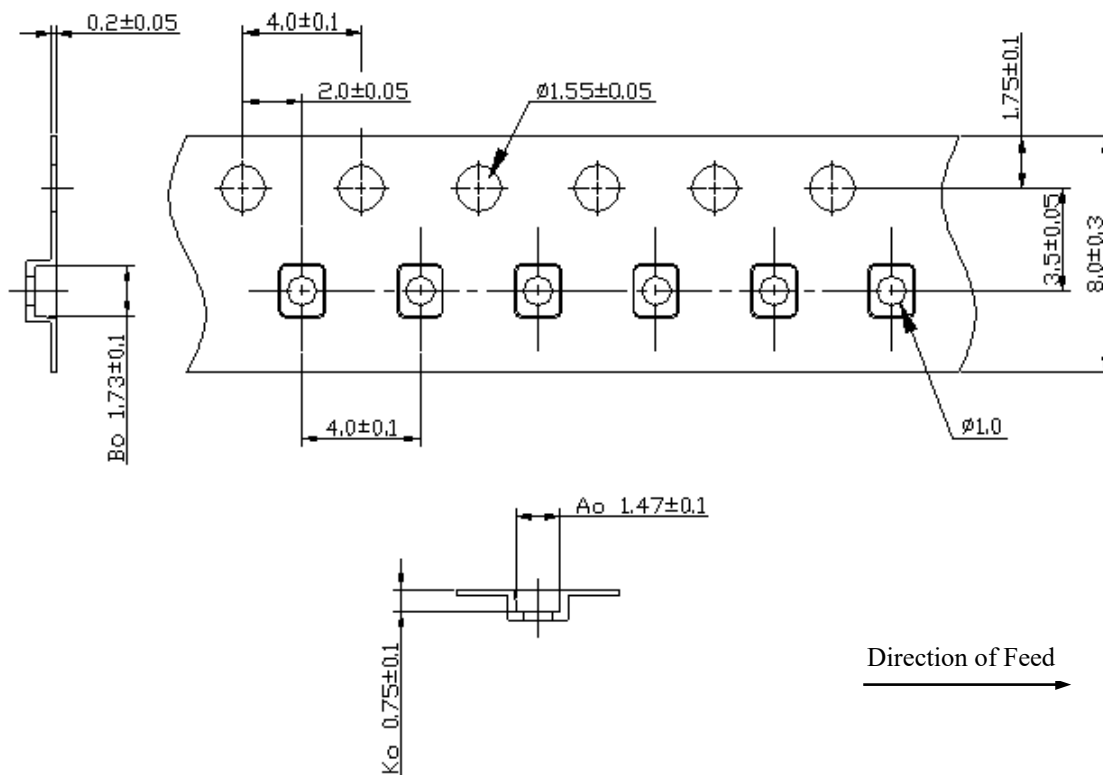
Reel Dimension

Reel Count:  
7" = 3000

Tape and Reel Standard per ANSI/EIA-481



Tape Dimensions:



1. Preheating shall be fixed at 150~180°C for 60~90 seconds.
2. Ascending time to preheating temperature 150°C shall be 30 seconds min.
3. Heating shall be fixed at 220°C for 50~80 seconds and at 260°C+0/-5°C peak (20~40sec).
4. Time: 2 times.

