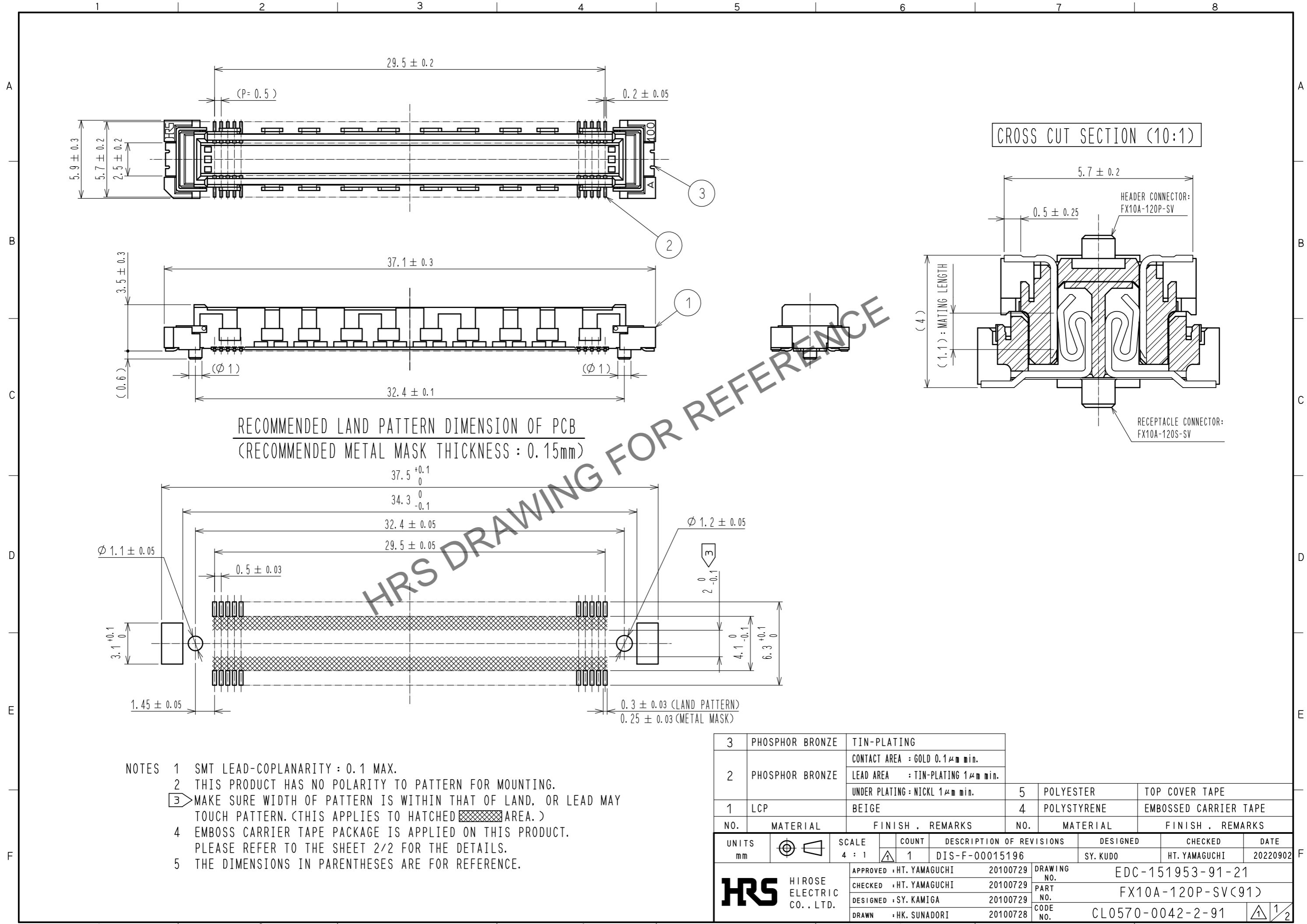


Jul.1.2024 Copyright 2024 HIROSE ELECTRIC CO., LTD. All Rights Reserved.
In case of consideration for using Automotive equipment / device which demand high reliability, kindly contact our sales window correspondents.



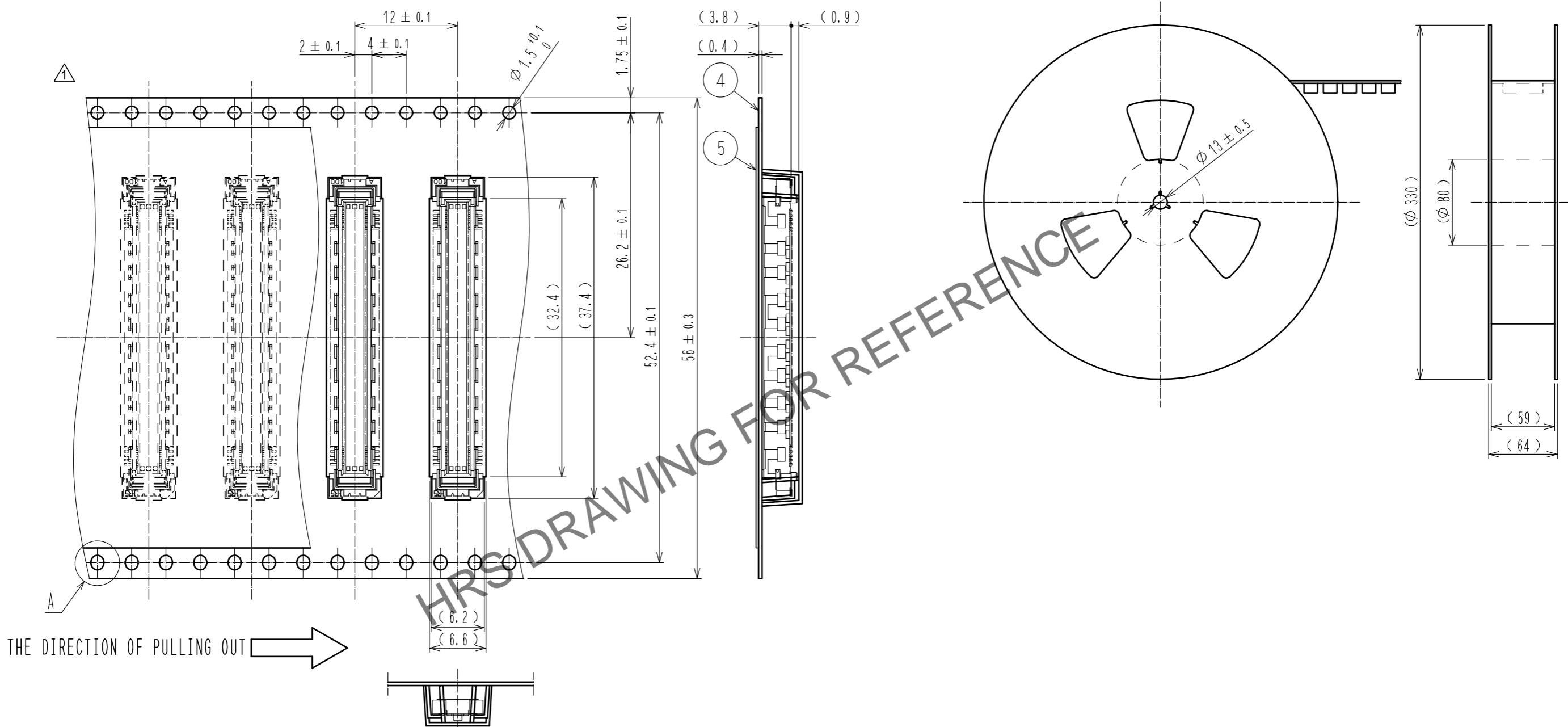
- NOTES
- 1 SMT LEAD-COPLANARITY : 0.1 MAX.
 - 2 THIS PRODUCT HAS NO POLARITY TO PATTERN FOR MOUNTING.
 - 3 MAKE SURE WIDTH OF PATTERN IS WITHIN THAT OF LAND, OR LEAD MAY TOUCH PATTERN. (THIS APPLIES TO HATCHED AREA.)
 - 4 EMBOSS CARRIER TAPE PACKAGE IS APPLIED ON THIS PRODUCT. PLEASE REFER TO THE SHEET 2/2 FOR THE DETAILS.
 - 5 THE DIMENSIONS IN PARENTHESES ARE FOR REFERENCE.

3	PHOSPHOR BRONZE	TIN-PLATING						
		CONTACT AREA : GOLD 0.1µm min.						
2	PHOSPHOR BRONZE	LEAD AREA : TIN-PLATING 1µm min.						
		UNDER PLATING : NICKL 1µm min.	5	POLYESTER	TOP COVER TAPE			
1	LCP	BEIGE	4	POLYSTYRENE	EMBOSSED CARRIER TAPE			
NO.	MATERIAL	FINISH . REMARKS	NO.	MATERIAL	FINISH . REMARKS			
UNITS	⊙	SCALE	COUNT	DESCRIPTION OF REVISIONS		DESIGNED	CHECKED	DATE
mm		4 : 1	1	DIS-F-00015196		SY. KUDO	HT. YAMAGUCHI	20220902
HRS HIROSE ELECTRIC CO., LTD.		APPROVED : HT. YAMAGUCHI	20100729	DRAWING NO.		EDC-151953-91-21		
		CHECKED : HT. YAMAGUCHI	20100729	PART NO.		FX10A-120P-SV(91)		
		DESIGNED : SY. KAMIGA	20100729	CODE NO.		CL0570-0042-2-91		
		DRAWN : HK. SUNADORI	20100728					

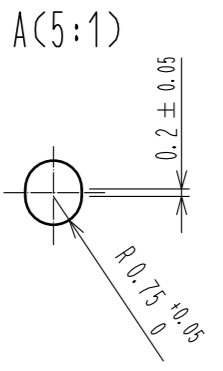
Jul.1.2024 Copyright 2024 HIROSE ELECTRIC CO., LTD. All Rights Reserved.
 In case of consideration for using Automotive equipment / device which demand high reliability, kindly contact our sales window correspondents.

DRAWING FOR PACKING(2:1)

REELED DIMENSION (Free)



THE DIRECTION OF PULLING OUT



- NOTES
- 6 1 REEL : 1000 CONNECTORS.
 - 7 MINIMUM 10 COMPARTMENTS FROM BOTH REEL ENDS REMAIN EMPTY.
 - 8 THIS PRODUCT HAS NO POLARITY TO TAPE AND REEL PACKAGING.
 - 9 THE DIMENSIONS IN PARENTHESES ARE FOR REFERENCE.

HRS	DRAWING NO.	EDC-151953-91-21	2/2
	PART NO.	FX10A-120P-SV(91)	
	CODE NO.	CL0570-0042-2-91	