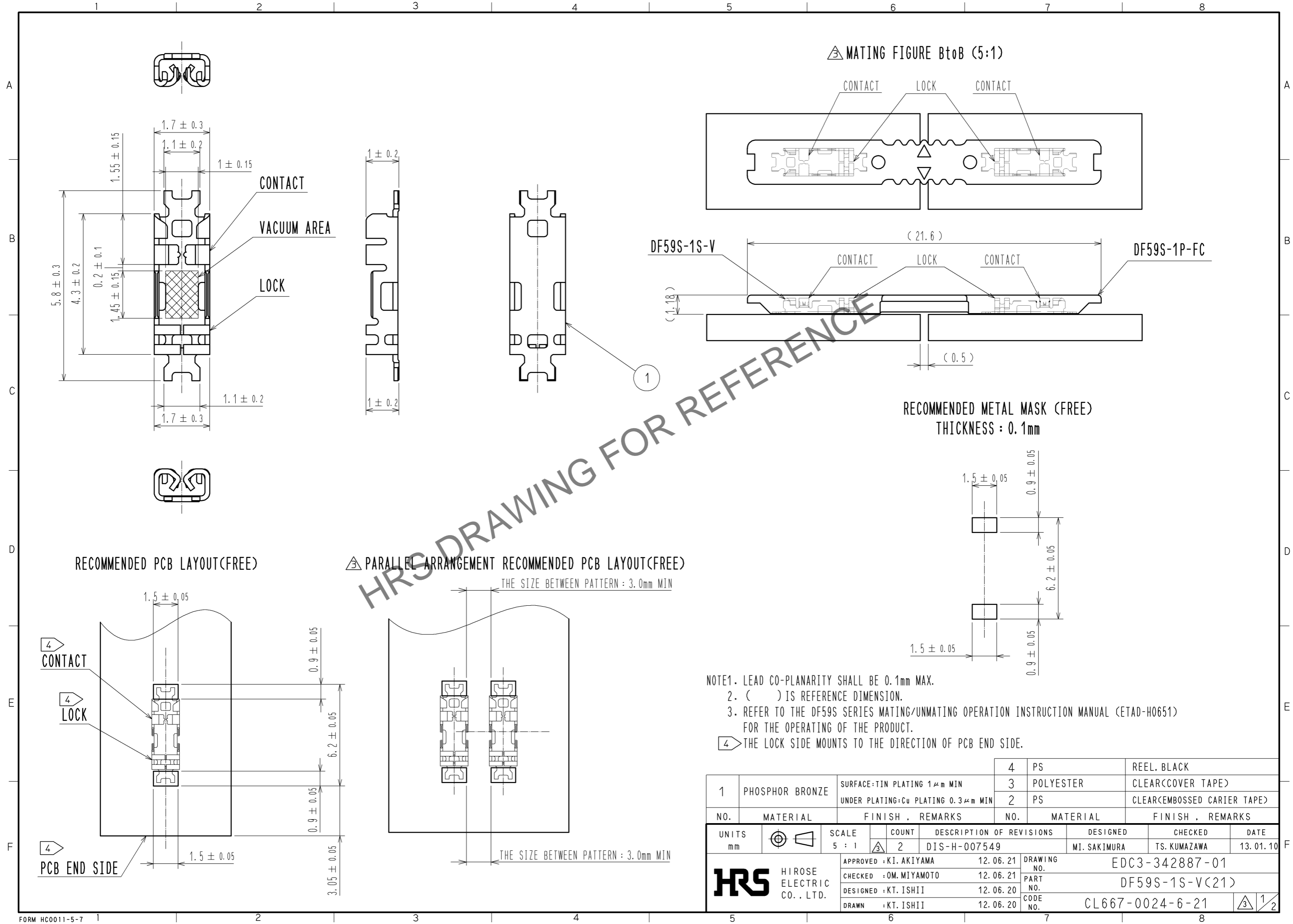


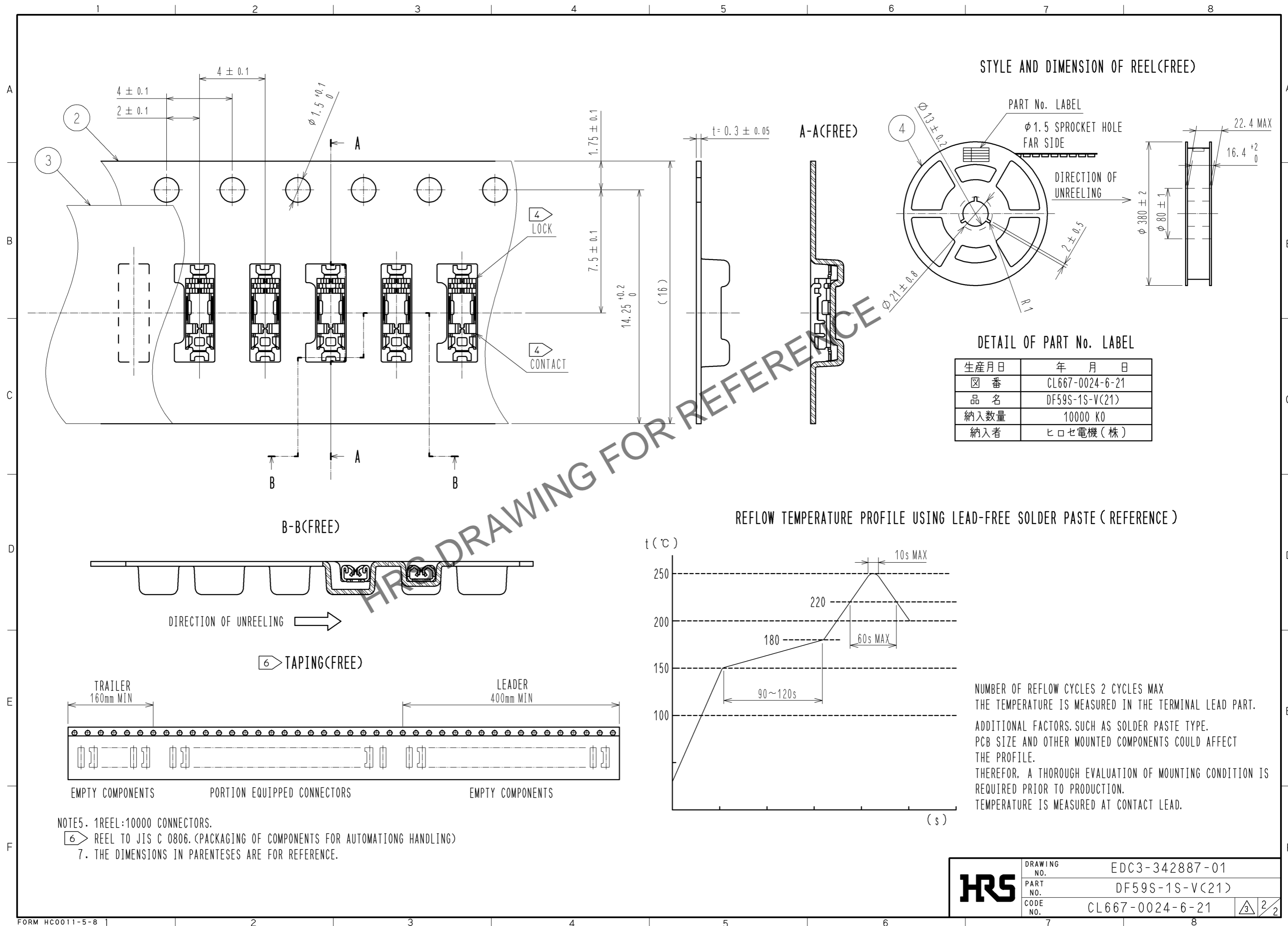
Jun.1.2024 Copyright 2024 HIROSE ELECTRIC CO., LTD. All Rights Reserved.  
 In case of consideration for using Automotive equipment / device which demand high reliability, kindly contact our sales window correspondents.



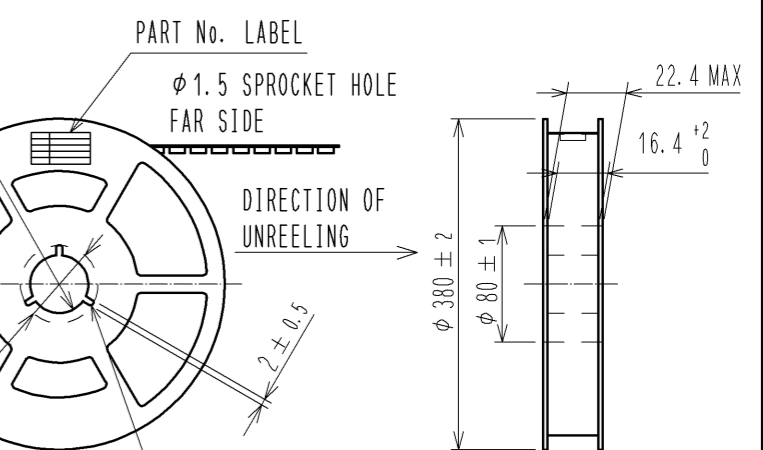
NOTE1. LEAD CO-PLANARITY SHALL BE 0.1mm MAX.  
 2. ( ) IS REFERENCE DIMENSION.  
 3. REFER TO THE DF59S SERIES MATING/UNMATING OPERATION INSTRUCTION MANUAL (ETAD-H0651) FOR THE OPERATING OF THE PRODUCT.  
 4 THE LOCK SIDE MOUNTS TO THE DIRECTION OF PCB END SIDE.

1	PHOSPHOR BRONZE	SURFACE:TIN PLATING 1μm MIN UNDER PLATING:Cu PLATING 0.3μm MIN	4 PS 3 POLYESTER 2 PS	REEL. BLACK CLEAR(COVER TAPE) CLEAR(EMBOSSED CARRIER TAPE)	
NO.	MATERIAL	FINISH . REMARKS	NO.	MATERIAL	FINISH . REMARKS
UNITS mm		SCALE 5 : 1	COUNT 2	DESCRIPTION OF REVISIONS DIS-H-007549	
DESIGNED MI. SAKIMURA		CHECKED TS. KUMAZAWA		DATE 13.01.10	
APPROVED : KI. AKIYAMA 12.06.21		DRAWING NO. EDC3-342887-01			
CHECKED : OM. MIYAMOTO 12.06.21		PART NO. DF59S-1S-V(21)			
DESIGNED : KT. ISHII 12.06.20		CODE NO. CL667-0024-6-21			
DRAWN : KT. ISHII 12.06.20					

Jun.1.2024 Copyright 2024 HIROSE ELECTRIC CO., LTD. All Rights Reserved.  
 In case of consideration for using Automotive equipment / device which demand high reliability, kindly contact our sales window correspondents.



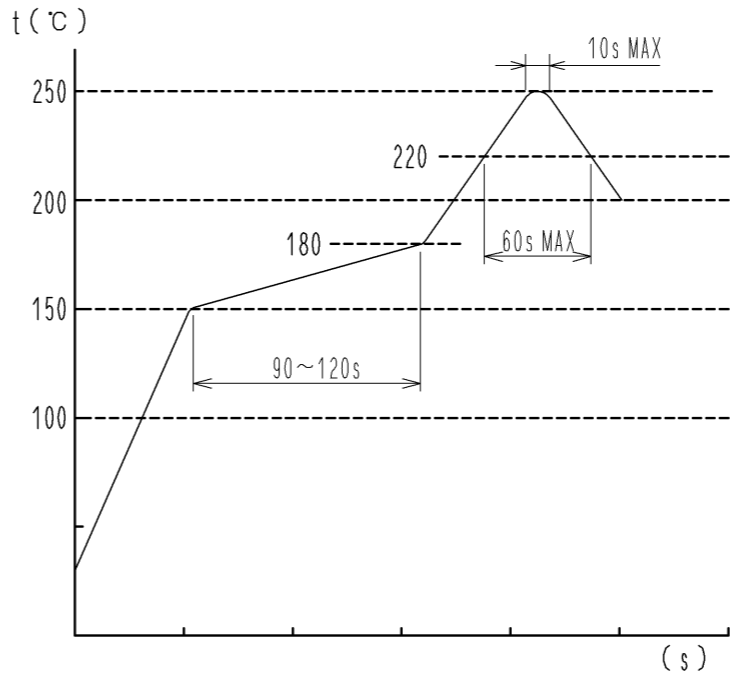
STYLE AND DIMENSION OF REEL(FREE)



DETAIL OF PART No. LABEL

生産月日	年 月 日
図 番	CL667-0024-6-21
品 名	DF59S-1S-V(21)
納入数量	10000 K0
納入者	ヒロセ電機(株)

REFLOW TEMPERATURE PROFILE USING LEAD-FREE SOLDER PASTE (REFERENCE)



NUMBER OF REFLOW CYCLES 2 CYCLES MAX  
 THE TEMPERATURE IS MEASURED IN THE TERMINAL LEAD PART.  
 ADDITIONAL FACTORS, SUCH AS SOLDER PASTE TYPE,  
 PCB SIZE AND OTHER MOUNTED COMPONENTS COULD AFFECT  
 THE PROFILE.  
 THEREFORE, A THOROUGH EVALUATION OF MOUNTING CONDITION IS  
 REQUIRED PRIOR TO PRODUCTION.  
 TEMPERATURE IS MEASURED AT CONTACT LEAD.

NOTE5. 1 REEL: 10000 CONNECTORS.  
 6 REEL TO JIS C 0806. (PACKAGING OF COMPONENTS FOR AUTOMATING HANDLING)  
 7. THE DIMENSIONS IN PARENTHESES ARE FOR REFERENCE.

<b>HRS</b>	DRAWING NO.	EDC3-342887-01
	PART NO.	DF59S-1S-V(21)
	CODE NO.	CL667-0024-6-21
		3/2