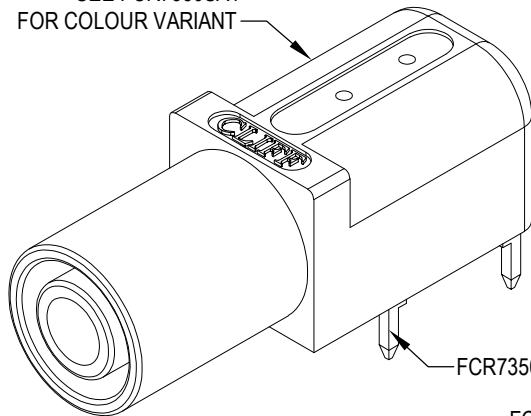


SEE FCR7350SA1
FOR COLOUR VARIANT

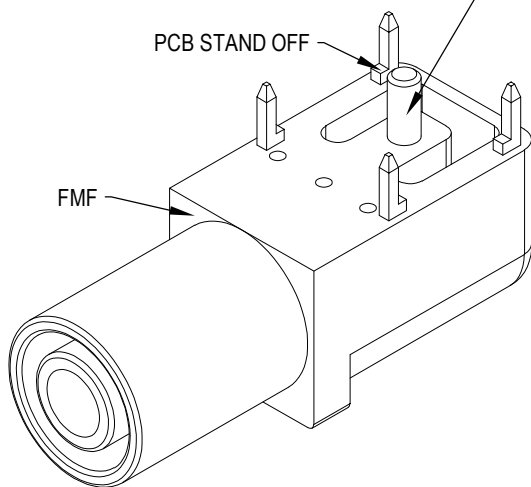


FCR7350SA2

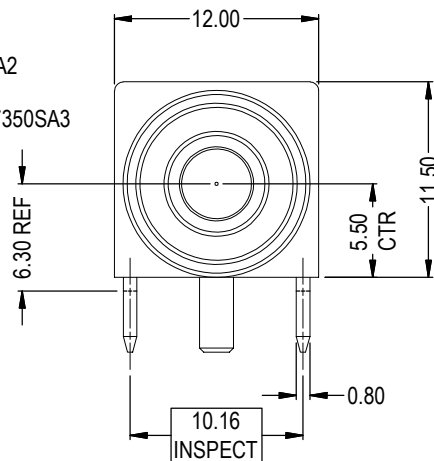
FCR7350SA3

PCB STAND OFF

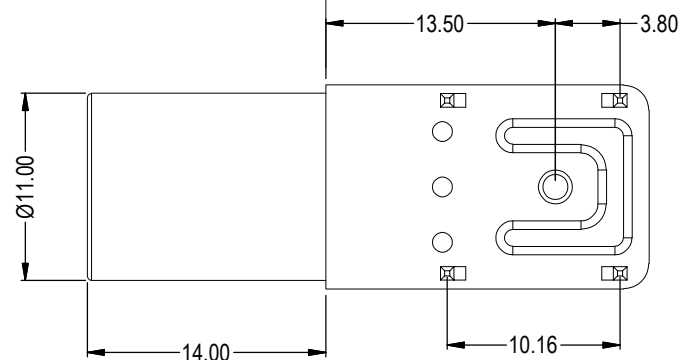
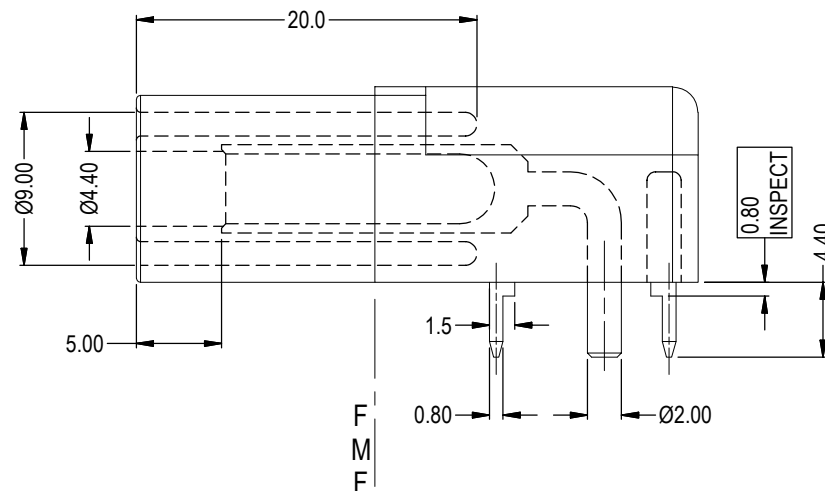
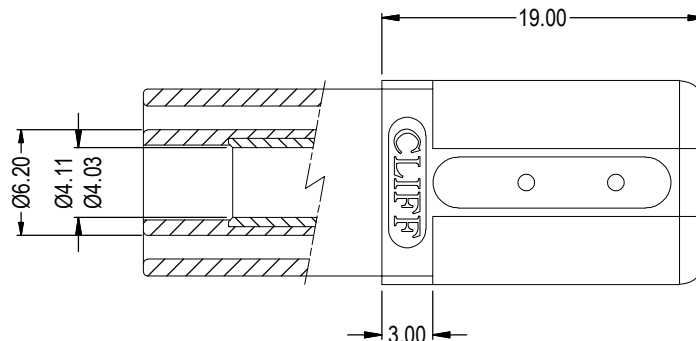
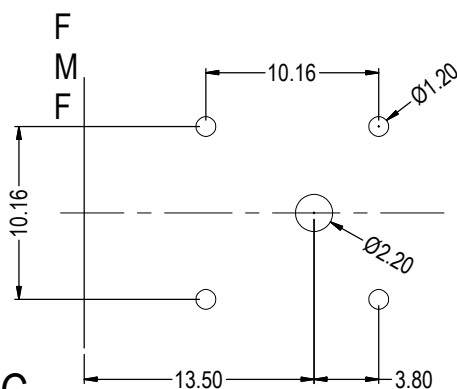
FMF



VARIANTS	
PART NO.	COLOUR
FCR7350B	BLACK
FCR7350R	RED
FCR7350G	GREEN
FCR7350L	BLUE
FCR7350Y	YELLOW



PCB LAYOUT
COMPONENT SIDE



ISS.	AMEND	DATE
1	1st DRAWN	29/08/06
2	BORDER+RATINGS	03/09/10
3	STAND OFF DIMS ADD	13/12/11
4	SUPPORT PIN ADD	30/04/13
5	PIN TOL, LEGS 4.4mm	28/02/14
6	Ø6.20 WAS Ø6.40	13/06/18

RATED
1kV CAT III - 24A
Operating temp -40°C to +80°C

RoHS
COMPLIANT

TOLERANCE
NO DEC. PLACE ± 0.50
1 DEC. PLACE ± 0.20
2 DEC. PLACE ± 0.10
HOLE Ø ± 0.10
ANGLES ± 1/2°
UNLESS OTHERWISE STATED

Cliff Electronic Components Ltd.

76 Holmehorpe Avenue, Holmehorpe Industrial Estate,
Redhill, Surrey, RH1 2PF, England, UK
Tel: 01737-771375 Fax: 01737-766012 Website: www.cliffuk.co.uk

DIMENSIONS IN MILLIMETERS UNLESS OTHERWISE STATED. WORK TO DIMENSIONS. REMOVE ALL BURRS. IF IN DOUBT ASK.

3rd ANGLE PROJECTION:

DO NOT SCALE

MATERIAL: NYLON 6 (UL-94 V2) / BRASS

TITLE: S16N-PC 4mm PANEL SOCKET

FINISH: AS MOULDED / GOLD PLATED

DRAWN: T.J.O.

APPROVED: D.P.J.

DRWG. No. **FCR7350**

FORM: A4DRWG-F