



AMP | AMP Type III+

TE Internal #: 202237-3

Socket Contact, Gold, Size 16 Contact Size, Solder Tab, Brass, Power & Signal, -55 – 150 °C [-67 – 302 °F], AMP Type III+

[View on TE.com >](#)

Connectors > Contacts > Connector Contacts



Contact Type: **Socket**

Contact Mating Area Plating Material: **Gold**

Wire Contact Termination Area Plating Material: **Tin-Lead**

Contact Size: **Size 16**

Termination Method to Wire & Cable: **Solder Tab**

Features

Contact Features

Mating Pin Diameter	1.57 mm[.062 in]
Contact Underplating Material Thickness	.76 µm[30 µin]
Wire Contact Termination Area Plating Thickness	2.54 µm[100 µin]
Contact Mating Area Plating Material Thickness	.76 µm[30 µin]
Contact Orientation	Straight
Contact Underplating Material	Nickel
Contact Type	Socket
Contact Mating Area Plating Material	Gold
Wire Contact Termination Area Plating Material	Tin-Lead
Contact Size	Size 16
Contact Base Material	Brass
Contact Current Rating (Max)	13 A

Termination Features

Termination Method to Wire & Cable	Solder Tab
Product Terminates To	Wire & Cable

Mechanical Attachment

Wire Insulation Support	Without
-------------------------	---------

Usage Conditions

Operating Temperature Range	-55 – 150 °C[-67 – 302 °F]
-----------------------------	----------------------------

Operation/Application

Circuit Application	Power & Signal
---------------------	----------------

Packaging Features

Packaging Quantity	100
Packaging Method	Box

Product Compliance

For compliance documentation, visit the product page on [TE.com](#)>

EU RoHS Directive 2011/65/EU	Not Compliant
EU ELV Directive 2000/53/EC	Compliant with Exemptions
China RoHS 2 Directive MIIT Order No 32, 2016	Restricted Materials Above Threshold
EU REACH Regulation (EC) No. 1907/2006	Current ECHA Candidate List: JUNE 2024 (241) Candidate List Declared Against: JUNE 2024 (241) SVHC > Threshold: Pb (13% in Component Part) Article Safe Usage Statements: Do not eat, drink or smoke when using this product. Wash thoroughly after handling. Recycle if possible and dispose of the article by following all applicable governmental regulations relevant to your geographic location.
Halogen Content	Low Halogen - Br, Cl, F, I < 900 ppm per homogenous material. Also BFR/CFR/PVC Free
Solder Process Capability	Not applicable for solder process capability

Product Compliance Disclaimer

This information is provided based on reasonable inquiry of our suppliers and represents our current actual knowledge based on the information they provided. This information is subject to change. The part numbers that TE has identified as EU RoHS compliant have a maximum concentration of 0.1% by weight in homogenous materials for lead, hexavalent chromium, mercury, PBB, PBDE, DBP, BBP, DEHP, DIBP, and 0.01% for cadmium, or qualify for an exemption to these limits as defined in the Annexes of Directive 2011/65/EU (RoHS2). Finished electrical and electronic equipment products will be CE marked as required by Directive 2011/65/EU. Components may not be CE marked. Additionally, the part numbers that TE has identified as EU ELV compliant have a maximum concentration of 0.1% by weight in homogenous materials for lead, hexavalent chromium, and mercury, and 0.01% for cadmium, or qualify for an exemption to these limits as defined in the Annexes of Directive 2000/53/EC (ELV). Regarding the REACH Regulation, the information TE provides on SVHC in articles for this part number is based on the latest European Chemicals Agency (ECHA) 'Guidance on requirements for substances in articles' posted at this URL: <https://echa.europa.eu/guidance-documents/guidance-on-reach>

Compatible Parts



TE Part # 200893-2
INSERTION TOOL CONT




TE Part # 539972-1
EXTRACTION TOOL




TE Part # 305183
EXTRACT TOOL TYPE 2 20-16

Also in the Series | AMP Type III+



Connector Contacts(409)



Insertion & Extraction Tools(4)

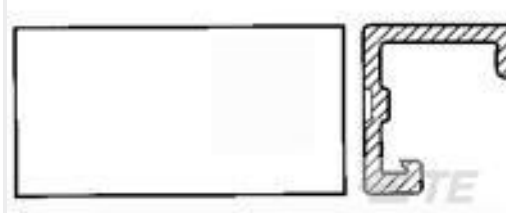
Customers Also Bought



TE Part #5747843-6
37 MSFL PLUG RA 318 (SL,FM,BL)



TE Part #5352068-1
Z-PACK/A RAF 110P



TE Part #640550-2
02P MTA100 COVER



TE Part #3-1744020-2
02P MTA100 CONN ASSY LF



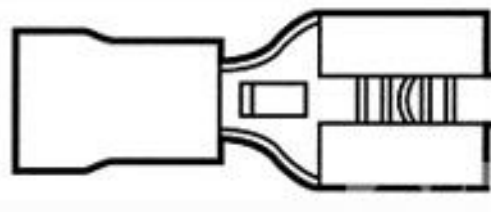
TE Part #6469081-1
HMZD 3PR, RECEPTACLE ASSEMBLY



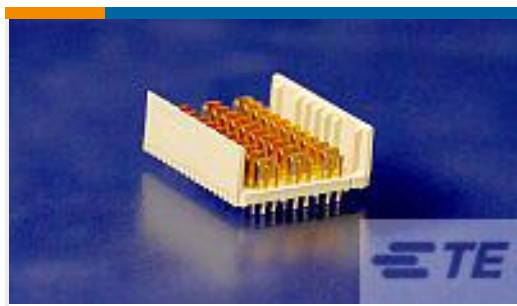
TE Part #1776296-3
TSB5000331DS=EUROPA T-BLK,10MM



TE Part #5104338-4
A/L LOW PRO HDR 20P VERT HT



TE Part #8-42844-1
RECEPT,PIDG FASTON 14-12 250



TE Part #6469083-1
HMZD 3PAIR, HDR ASSY, 25MM MOD



TE Part #1649328-4
RTD14012

Documents

Product Drawings

III+ SKT,SOLTAB,30AU>10,SMPACK

English

CAD Files

3D PDF

English

Customer View Model

[ENG_CVM_202237-3_T.2d_dxf.zip](#)

English

Customer View Model

[ENG_CVM_202237-3_T.3d_igs.zip](#)

English

Customer View Model

[ENG_CVM_202237-3_T.3d_stp.zip](#)

English

3D PDF

3D

Customer View Model

[ENG_CVM_CVM_202237-3_W.2d_dxf.zip](#)

English

Customer View Model

[ENG_CVM_CVM_202237-3_W.3d_igs.zip](#)

English

Customer View Model

[ENG_CVM_CVM_202237-3_W.3d_stp.zip](#)

English

By downloading the CAD file I accept and agree to the [Terms and Conditions](#) of use.

Product Specifications

Application Specification

English