

MUSB SERIES

MINI USB 2.0 INTERFACES

SPECIFICATIONS

For complete specifications and recommended PCB layouts see www.samtec.com?MUSB,

Insulator Material:

High Temperature Thermoplastic

Contact Material:

Phosphor Bronze

Shell Material:

Brass

Plating:

Gold on Mating Area, Nickel on Shell, Tin on Tails

Operating Temp Range:

-50 °C to +85 °C

Voltage Rating:

30 VRMS

Minimum Cycles:

1500

Packaging:

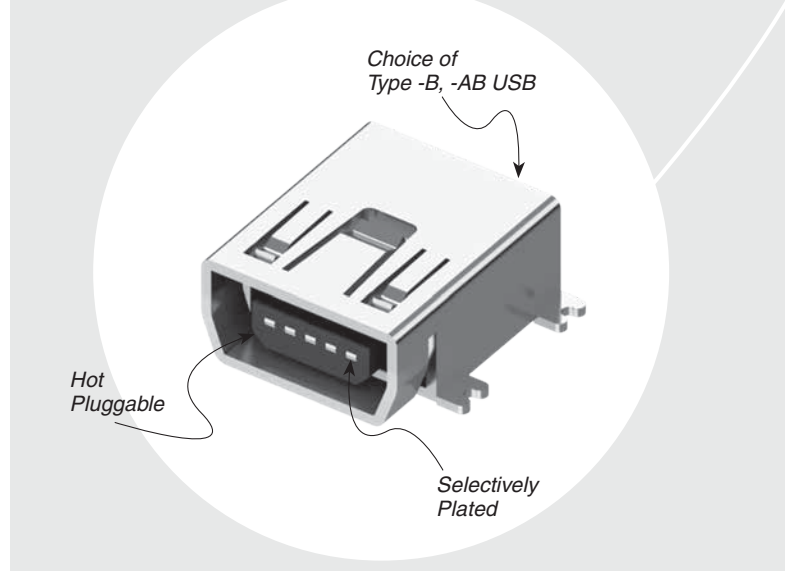
Packaged and shipped in Bulk Packaging Trays; Trays suitable for automation are available upon request.

RoHS Compliant:

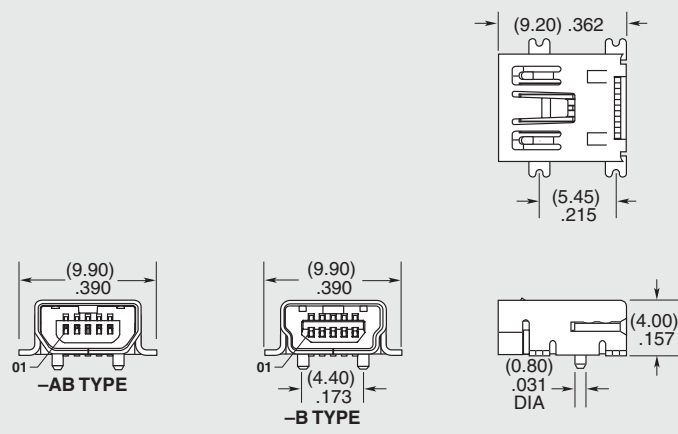
Yes

Lead-Free Solderable:

Yes



| TYPE | NO. OF CONTACTS | PLATING | TYPE | SM | A |
|------------------------|-----------------|--|--|----|---|
| MUSB = Mini USB 2.0 | -05 | -F = Gold Flash on Mating Area, Tin on Tails -S = 30 μ" (0.76 μm) Gold on Mating Area, Tin on Tails | -B = B Type -AB = AB Type | | |



Due to technical progress, all designs, specifications and components are subject to change without notice.

Mouser Electronics

Authorized Distributor

Click to View Pricing, Inventory, Delivery & Lifecycle Information:

Samtec:

[MUSB-05-F-B-SM-A](#) [MUSB-05-S-AB-SM-A-TR](#) [MUSB-05-S-AB-SM-A](#) [MUSB-05-S-B-SM-A](#) [MUSB-05-F-AB-SM-A-K-TR](#) [MUSB-05-F-AB-SM-A](#) [MUSB-05-S-B-SM-A-R-TR](#) [MUSB-05-S-AB-SM-A-K-TR](#) [MUSB-05-S-B-SM-A-K](#) [MUSB-05-F-B-SM-A-TR](#) [MUSB-05-F-B-SM-A-K-TR](#) [MUSB-05-F-AB-SM-A-TR](#) [MUSB-05-S-B-SM-A-K-TR](#) [MUSB-05-S-B-SM-A-TR](#) [MUSB-05-S-A-SM-A-TR](#) [MUSB-05-F-A-SM-A-TR](#) [MUSB-05-F-A-SM-A](#) [MUSB-05-F-AB-SM-A-R-TR](#) [MUSB-05-F-B-SM-A-R-TR](#) [MUSB-05-S-A-SM-A](#) [MUSB-05-S-AB-SM-A-R-K-TR](#) [MUSB-05-S-AB-SM-A-K](#) [MUSB-05-S-AB-SM-A-R-K](#) [MUSB-05-F-B-SM-A-K](#) [MUSB-05-S-A-SM-A-R-TR](#) [MUSB-05-S-AB-SM-A-R-TR](#) [MUSB-05-F-A-SM-A-R-TR](#) [MUSB-05-F-AB-SM-A-K](#) [MUSB-05-F-B-SM-A-R-K-TR](#) [MUSB-05-F-A-SM-A-R](#) [MUSB-05-F-B-SM-A-R-K](#) [MUSB-05-F-AB-SM-A-R-K](#) [MUSB-05-F-AB-SM-A-R-K-TR](#)