

Low Profile or Prominent with Flush Mounting, AC Voltage

[Key Characteristics

Functional

- 6.3mm mounting
- 80° or 100° viewing angle

Resilient

- IP66 sealed
- -40 to 85°C operating and storage temp
- Aluminium, optional black nickel body

Adaptable

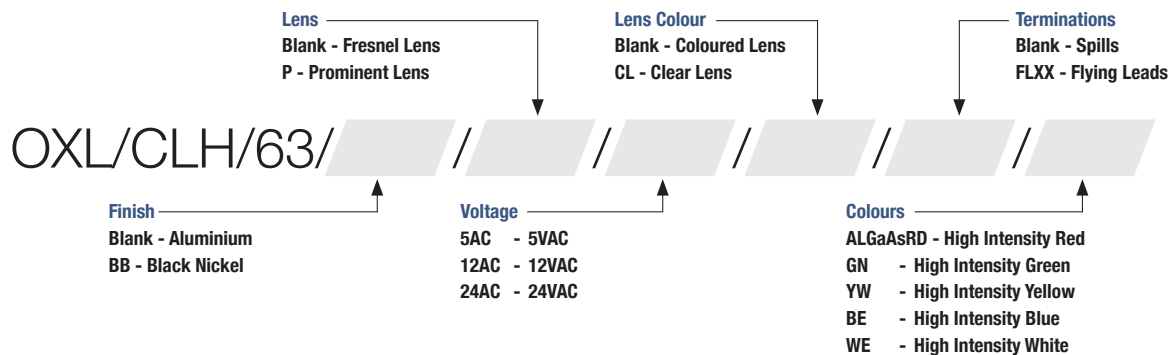
- Full colour range with lens options
- Voltage and current options
- Customer specials on request



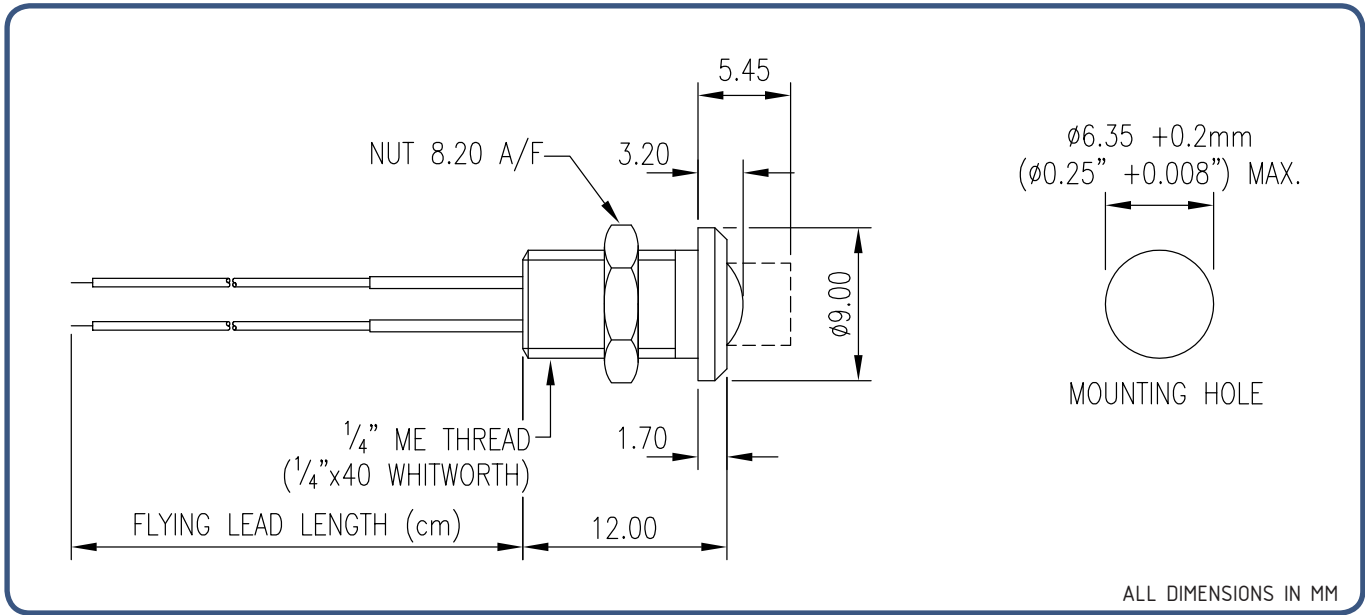
[Specifications

COLOURS									
Luminous Intensity	mcd	White	Red	Yellow	Green	Blue	Voltage		Current (mA)
							Forward	Reverse	
High Intensity	375	✓	x	✓	x	x	5,12,24	5,12,24	15
	450	x	✓	x	x	✓	5,12,24	5,12,24	15
	470	x	x	x	✓	x	5,12,24	5,12,24	15

[Ordering Information



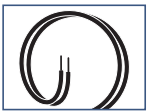
Example: OXL/CLH/63/12AC/FL30/ALGaAsRD - Aluminium Finish, Fresnel Lens, 12AC, Coloured Lens, 30cm Flying Leads, High Intensity Red
 Example: OXL/CLH/63/BB/P/24AC/FL30/GN - Black Nickel, Prominent Lens, 24AC, Coloured Lens, 30cm Flying Leads, High Intensity Green



Technical Information

Terminations	Flying Leads, red and black wire insulation. Length defined in Part No. (CM)
Body	Aluminium Alloy, optional Black Nickel
Lens	Polycarbonate
Nut	Nickel Plated Brass
Washer	Spring Steel, Bright Zinc Plated
Chassis Thickness	1mm (0.039") to 4mm (0.157")
Mounting Hole	6.35mm \pm 0.2
Recommended Mounting Torque	1Nm
Mean Time Before Failure	90,000 hours

Termination Options

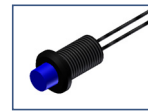


Flying Leads

Lens Options



Low Profile



Prominent

Distributed by

