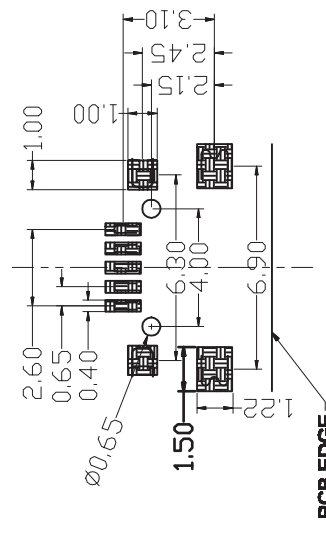
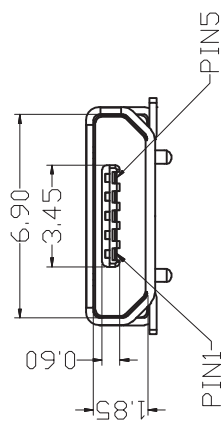
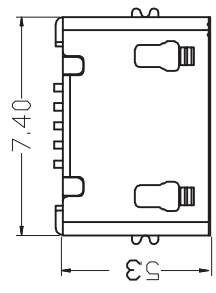
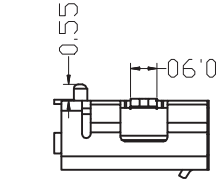
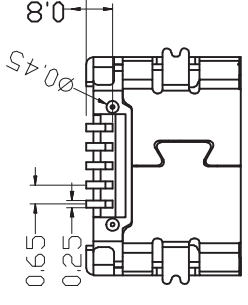
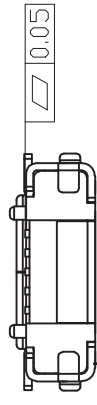


REV.	DESCRIPTION	DRAWN/DATE	APPROVED/DATE



NOTES:

1. MATERIAL:
 - 1.1 HOUSING:THERMOPLASTIC FLAMMABILITY RATING UL94-0
 - 1.2 CONTACT:COPPERY ALLOY T=0.15MM
 - 1.3 SHELL: COPPERY ALLOY T=0.25MM
2. FINISH:
 - 2.1 CONTACT:
 - 3U"MIN,PLATED ON CONTACT AREA
 - G/F PLATING ON SOLDER TAIL AREA
 - 50~80U" NICKEL UNDERPLATING OVERALL
 - 2.2 SHELL:
 - 80~120U" MATTER TIN PLAING ALL
 - 50~80U" NICKEL UNDERPLATING OVERALL
3. SPECIFICATION:
 - 3.3 CURRENT RATING:0.5A(2.3.4CONTACT)/1.8A (1.5CONTACT)MAX.
 - 3.2 VOLTAGE:30 VAC
 - 3.3 TEMPERATURE RANGE:-30°C~85°C
 - 3.4 CONTACT RESISTANCE:30 MILLIONHM MAX.
 - 3.5 DIELECTRIC WITHSTANDING VOLTAGE:250VAC R.M.S
 - 3.6 INSULATION RESISTANCE:100 MEGOHMS MIN

GENERAL TOLERANCE	ANGLE TOLERANCE	DESIGN	DATE
X. ±0.35 .X ±0.25 .XX ±0.15 .XXX ±0.10	X. ±2.0° .X ±1.0° .XX ±0.5°	ZQL	
UNIT:mm	SCALE 1:1	CHECK ZQL	DATE
A4	SHEET: 1 of 1	APPRO.	DATE

德艺隆电子有限公司

FILE NAME(??) MICRO USB 全贴平口

PART NO(??) USB-MR-D-052

DRAWING NO(??)

REV.A0