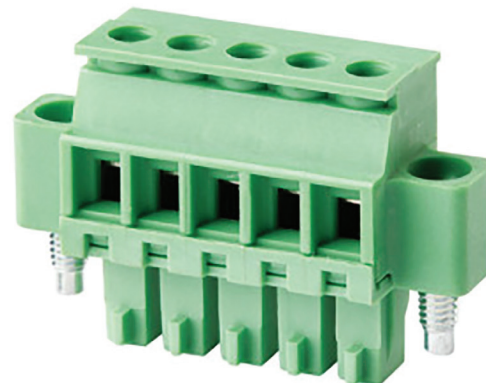


# Terminal Block Plug Flanged

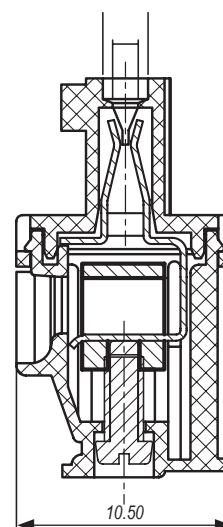
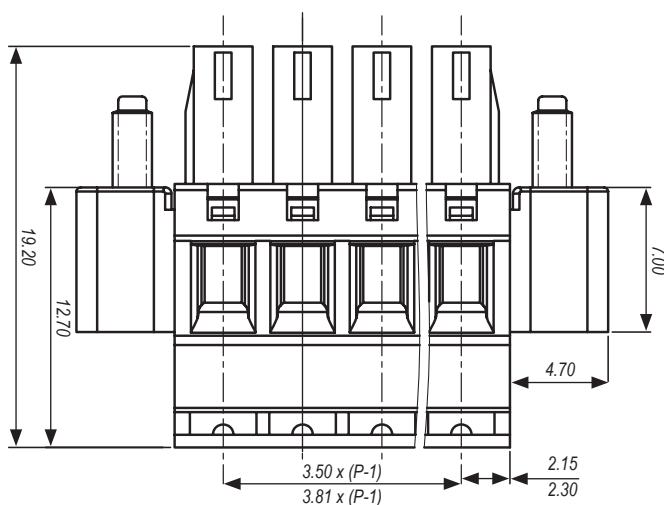
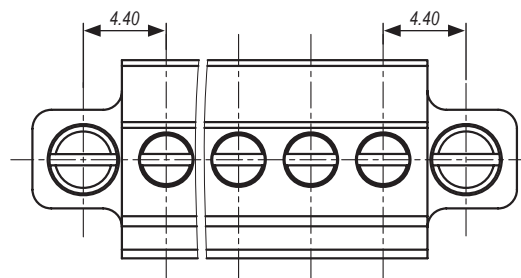
## 20.1500MF/xx-E (21.1500MF/xx-E)

- 300V 8A UL
- UL94-V0
- PA66
- 3.50mm (3.81mm) Pin Pitch
- RoHS Compliant
- xx = Number of Poles (available from 2~24 poles)



### Technical Data

<b>Pitch</b>	3.50mm (3.81mm)
<b>UL Rating</b>	300V 8Amps
<b>IEC Rating</b>	250V 10Amps
<b>Solder Pin</b>	n/a
<b>Wire Range</b>	28-16AWG (1.5mm <sup>2</sup> )
<b>PCB Hole Diameter</b>	n/a
<b>Screw</b>	M2.0 Steel (Zinc Plate)
<b>Screw Torque</b>	0.2Nm
<b>Insulation Voltage</b>	AC2000V / 1 Min
<b>Initial Contact Resistance</b>	20mΩ
<b>Insulation Resistance</b>	500MΩ / DC500V
<b>Temperature Range</b>	-40 to +105°C
<b>Max Soldering</b>	+250°C for 5 sec



Dimensions shown in mm      P = No of Poles

Supplied in green as standard  
 Other colour options and printing may be available depending upon quantity  
 Please contact IMO for further information