

KombiSIGN 71 / Terminal Element

## Terminal element Screwable conn. RM



|                  |                     |
|------------------|---------------------|
| <b>Part No.:</b> | <b>640.830.00</b>   |
| <b>Series:</b>   | <b>KombiSIGN 71</b> |



### MECHANICAL DATA

|                              |                             |
|------------------------------|-----------------------------|
| Height                       | 43 mm                       |
| Diameter                     | 70 mm                       |
| Materials                    | PA-GF<br>PC                 |
| Housing colour               | Black                       |
| Protection category          | IP65                        |
| Connection                   | Screw terminals             |
| cross-sectional area minimum | 0,25mm <sup>2</sup> / 24AWG |
| cross-sectional area maximum | 1,50mm <sup>2</sup> / 16AWG |
| Cable entry                  | Through hole                |
| Cable entry maximum          | d = 11 mm                   |
| Type of fixing               | Tube mounting               |
| Working temperature minimum  | -20°C                       |
| Working temperature maximum  | +50°C                       |
| Weight with packaging        | 106 g                       |
| Product weight               | 88 g                        |

### ELECTRICAL DATA

|                        |                          |
|------------------------|--------------------------|
| Operating voltage      | 12-230V                  |
| Operating voltage type | AC/DC                    |
| Protection class       | Protection class 2       |
| Pollution degree       | 3                        |
| Overvoltage category   | II                       |
| Isolation voltage      | Ui = 250V; Uimp = 2.500V |

### APPROVAL DATA

|                               |                       |
|-------------------------------|-----------------------|
| Conforms with CE              | Yes                   |
| Conforms with RoHS directive  | Yes                   |
| WEEE                          | Yes                   |
| Conforms with ATEX-directive  | No                    |
| Conforms with CCC             | No                    |
| Conforms with UL              | cULus                 |
| UL Type Rating                | Type 12               |
| Conforms with FCC             | No                    |
| Conforms with IC              | No                    |
| EAC certificate available     | Yes                   |
| Conforms with UKCA (Importer) | Yes (WERMA (UK) Ltd.) |
| Conforms with CMIM            | No                    |
| Conforms with AS-I            | No                    |

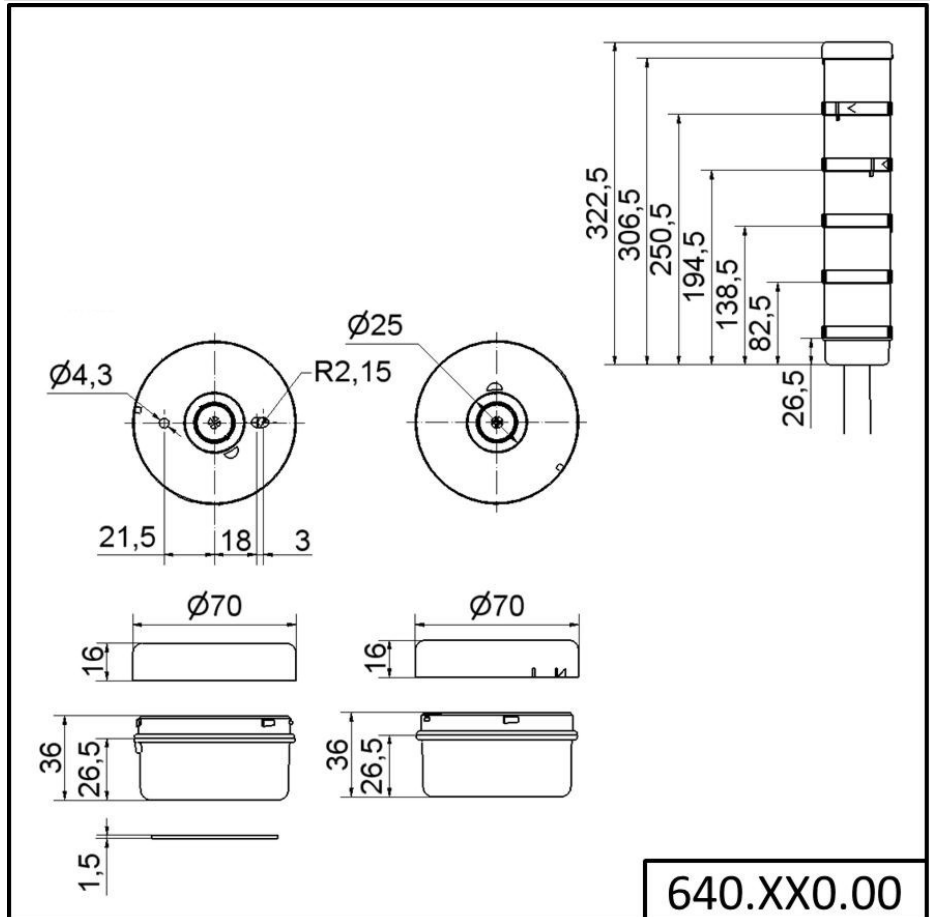
! For additional installation and mounting information, refer to the appropriate user guide at [www.werma.com](http://www.werma.com). This printed copy is for information only and is subject to alteration.

KombiSIGN 71 / Terminal Element

**Terminal element Screwable conn. RM**

|                       |    |
|-----------------------|----|
| ICAO Certification    | No |
| Conforms with DNV     | No |
| Conforms with RoHS CN | No |
| Conforms with VdS     | No |

**DRAWING**



**640.XX0.00**



For additional installation and mounting information, refer to the appropriate user guide at [www.werma.com](http://www.werma.com). This printed copy is for information only and is subject to alteration.