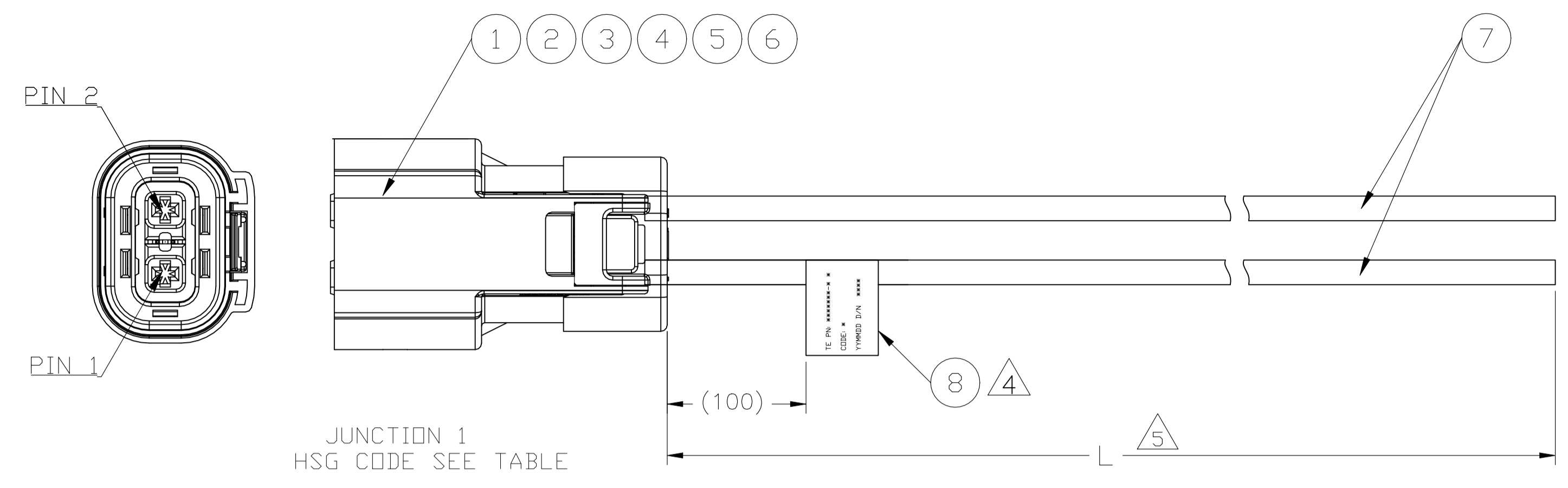
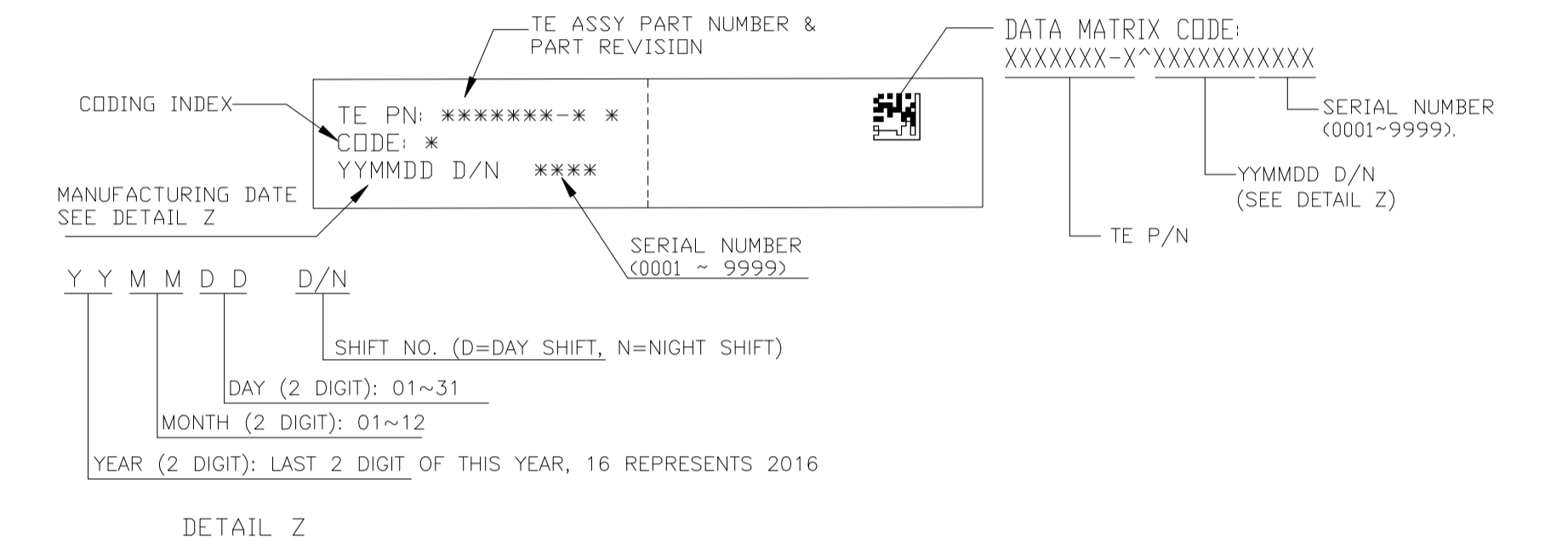


REVISIONS				
P	LTR	DESCRIPTION	DATE	APPV
B		RELEASE PER ECR-21-004663	21APR2021	FL PW

NOTES

- GENERAL ELECTRICAL TEST AFTER ASSEMBLY.
 - DIELECTRIC WITHSTAND: NO FLASHOVER WHEN SUBJECTED TO 2200VAC FOR 5 SECONDS, LEAKAGE CURRENT LESS THAN 10mA BETWEEN:
 - HV CIRCUIT 1 TO HV CIRCUIT 2
 - HV CIRCUIT 1 AND 2 TO SHIELD
 - INSULATION RESISTANCE: GREATER THAN 100MΩ WHEN SUBJECTED TO 1000VDC BETWEEN:
 - HV CIRCUIT 1 TO HV CIRCUIT 2
 - HV CIRCUIT 1 AND 2 TO SHIELD
 - CONTINUITY TO BE 100% VERIFIED THROUGH ALL CIRCUIT AFTER ASSEMBLY
 - APPLICATION INFORMATION:
 - RATING VOLTAGE: 600VDC
 - OPERATING TEMPERATURE: -40°C~+125°C
 - IP DEGREE: MATED STATE: IP6K9K, IP67; UNMATED STATE: IP2XB.
- △ LABEL CONTENT INCLUDES TE PART NUMBER, PART REVISION, CODING INDEX AND MANUFACTURING DATE. LABEL TO BE APPLIED TO THE CABLE AFTER SUCCESSFUL ELECTRICAL TEST. LABEL LEGEND:



PIN OUT AND WIRE SIZE			
CIRCUIT	JUNCTION 1	WIRE SIZE	WIRE COLOR
1	PIN 1	3MM ²	ORANGE
2	PIN 2	3MM ²	ORANGE
3	PIN 3	SHORT CIRCUIT	-
4	PIN 4	SHORT CIRCUIT	-

RECOMMENDED MATING CONNECTION							
PLUG PIGTAIL CABLE				HEADER (OR INLINE) PIGTAIL CABLE			
PART NUMBER	LENGTH (L)	CODE	WIRE SIZE	PART NUMBER	LENGTH (L)	CODE	WIRE SIZE
-2325664-	SEE TABLE	A/B/D/E/F/G	3MM ²	*-2325681-*	SEE TABLE	A/B/D/E/F/G	3MM ² +0.5MM ²

△ TE P/N AND LENGTH LIST

TE P/N	L	REMARK	TE P/N	L	REMARK	TE P/N	L	REMARK
2325664-1	500±10	CHOOSE PRIORITY: 1ST HSG CODE: A (PN: 2310537-1) WIRE SIZE: 3MM ²	1-2325664-1	500±10	CHOOSE PRIORITY: 2ND HSG CODE: B (PN: 2310537-2) WIRE SIZE: 3MM ²	3-2325664-1	500±10	CHOOSE PRIORITY: 3RD HSG CODE: D (PN: 2310537-4) WIRE SIZE: 3MM ²
2325664-2	1000±10		1-2325664-2	1000±10		3-2325664-2	1000±10	
2325664-3	1500±15		1-2325664-3	1500±15		3-2325664-3	1500±15	
2325664-4	2000±15		1-2325664-4	2000±15		3-2325664-4	2000±15	
2325664-5	2500±20		1-2325664-5	2500±20		3-2325664-5	2500±20	
2325664-6	3000±20		1-2325664-6	3000±20		3-2325664-6	3000±20	
2325664-7	4000±30		1-2325664-7	4000±30		3-2325664-7	4000±30	
2325664-8	6000±50		1-2325664-8	6000±50		3-2325664-8	6000±50	
2325664-9	8000±70		1-2325664-9	8000±70		3-2325664-9	8000±70	
4-2325664-1	500±10	CHOOSE PRIORITY: 4TH HSG CODE: E (PN: 2310537-5) WIRE SIZE: 3MM ²	5-2325664-1	500±10	CHOOSE PRIORITY: 5TH HSG CODE: F (PN: 2310537-6) WIRE SIZE: 3MM ²	6-2325664-1	500±10	CHOOSE PRIORITY: 6TH HSG CODE: G (PN: 2310537-7) WIRE SIZE: 3MM ²
4-2325664-2	1000±10		5-2325664-2	1000±10		6-2325664-2	1000±10	
4-2325664-3	1500±15		5-2325664-3	1500±15		6-2325664-3	1500±15	
4-2325664-4	2000±15		5-2325664-4	2000±15		6-2325664-4	2000±15	
4-2325664-5	2500±20		5-2325664-5	2500±20		6-2325664-5	2500±20	
4-2325664-6	3000±20		5-2325664-6	3000±20		6-2325664-6	3000±20	
4-2325664-7	4000±30		5-2325664-7	4000±30		6-2325664-7	4000±30	
4-2325664-8	6000±50		5-2325664-8	6000±50		6-2325664-8	6000±50	
4-2325664-9	8000±70		5-2325664-9	8000±70		6-2325664-9	8000±70	

QTY	P/N	U/M	TE PART NUMBER	DESCRIPTION	ITEM
1	PC	-		LABEL	8
A/R	MM	-		HV SHIELDED POWER CABLE, ORANGE 3MM ²	7
1	PC	-		CABLE SEAL RETAINER	6
1	PC	-		CABLE SEAL	5
2	PC	-		INNER FERRULE	4
2	PC	-		OUTER FERRULE	3
2	PC	-		MCP 2.8 RECEPTACLE CONTACT	2
1	PC	2310537-7		2POS HVA280 PLUG HSG ASSY CODE G	1
1	PC	2310537-6		2POS HVA280 PLUG HSG ASSY CODE F	
1	PC	2310537-5		2POS HVA280 PLUG HSG ASSY CODE E	
1	PC	2310537-4		2POS HVA280 PLUG HSG ASSY CODE D	
1	PC	2310537-2		2POS HVA280 PLUG HSG ASSY CODE B	
1	PC	2310537-1		2POS HVA280 PLUG HSG ASSY CODE A	

THIS DRAWING IS A CONTROLLED DOCUMENT. 19MAR2018

DIMENSIONS: mm

TOLERANCES UNLESS OTHERWISE SPECIFIED:

0. PLC	±	-
1. PLC	±	-
2. PLC	±	-
3. PLC	±	-
4. PLC	±	-
ANGLES	±	-

MATERIAL: - FINISH: -

WEIGHT: 0

SCALE: 1:1 SHEET: 1 of 7 REV: B

CUSTOMER DRAWING

TE Connectivity Ltd.

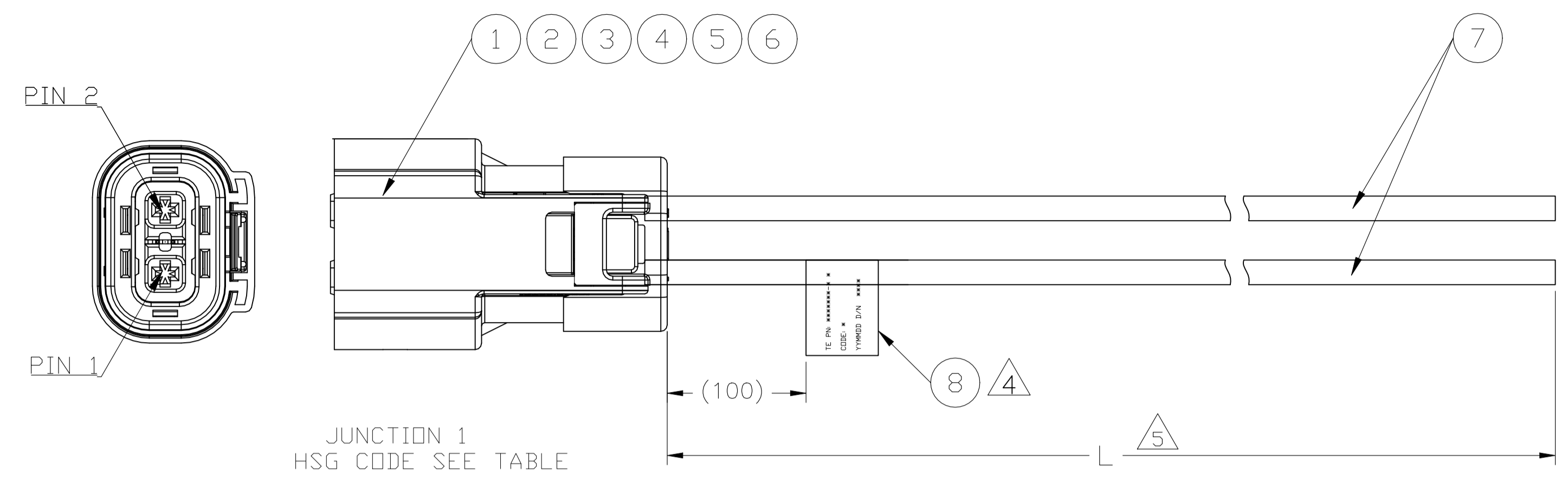
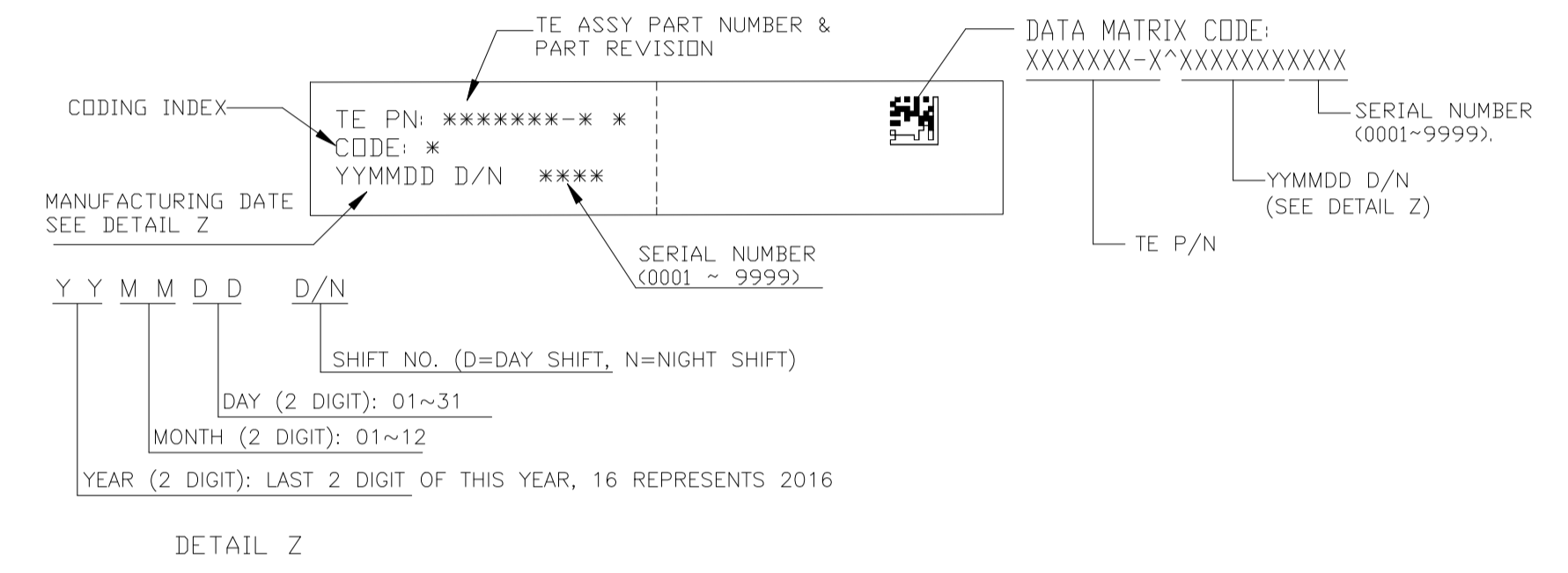
HVA280 2PHI PLUG 3SQ CABLE ASS'Y

SIZE: A1 CAGE CODE: 00779 DRAWING NO: 2325664

REVISIONS				
REV	DATE	DESCRIPTION	BY	APPV
-	-	SEE SHEET 1	-	-

NOTES

- GENERAL ELECTRICAL TEST AFTER ASSEMBLY.
 - DIELECTRIC WITHSTAND: NO FLASHOVER WHEN SUBJECTED TO 2200VAC FOR 5 SECONDS, LEAKAGE CURRENTLESS THAN 10mA BETWEEN:
 - HV CIRCUIT 1 TO HV CIRCUIT 2
 - HV CIRCUIT 1 AND 2 TO SHIELD
 - INSULATION RESISTANCE: GREATER THAN 100MΩ WHEN SUBJECTED TO 1000VDC BETWEEN:
 - HV CIRCUIT 1 TO HV CIRCUIT 2
 - HV CIRCUIT 1 AND 2 TO SHIELD
 - CONTINUITY TO BE 100% VERIFIED THROUGH ALL CIRCUIT AFTER ASSEMBLY
 - APPLICATION INFORMATION:
 - RATING VOLTAGE: 600VDC
 - OPERATING TEMPERATURE: -40°C~+125°C
 - IP DEGREE: MATED STATE: IP6K9K, IP67; UNMATED STATE: IP2XB.
- △ LABEL CONTENT INCLUDES TE PART NUMBER, PART REVISION, CODING INDEX AND MANUFACTURING DATE. LABEL TO BE APPLIED TO THE CABLE AFTER SUCCESSFUL ELECTRICAL TEST. LABEL LEGEND:



PIN OUT AND WIRE SIZE			
CIRCUIT	JUNCTION 1	WIRE SIZE	WIRE COLOR
1	PIN 1	4MM ²	ORANGE
2	PIN 2	4MM ²	ORANGE
3	PIN 3	SHORT CIRCUIT	-
4	PIN 4	SHORT CIRCUIT	-

RECOMMENDED MATING CONNECTION							
PLUG PIGTAIL CABLE				HEADER PIGTAIL CABLE			
PART NUMBER	LENGTH (L)	CODE	WIRE SIZE	PART NUMBER	LENGTH (L)	CODE	WIRE SIZE
-2329114-	SEE TABLE	A/B/D/E/F/G	4MM ²	*-2329116-*	SEE TABLE	A/B/D/E/F/G	4MM ² +0.5MM ²

△ TE P/N AND LENGTH LIST

TE P/N	L	REMARK	TE P/N	L	REMARK	TE P/N	L	REMARK
2329114-1	500±10	CHOOSE PRIORITY: 1ST HSG CODE: A (PN: 2310537-1) WIRE SIZE: 4MM ²	1-2329114-1	500±10	CHOOSE PRIORITY: 2ND HSG CODE: B (PN: 2310537-2) WIRE SIZE: 4MM ²	3-2329114-1	500±10	CHOOSE PRIORITY: 3RD HSG CODE: D (PN: 2310537-4) WIRE SIZE: 4MM ²
2329114-2	1000±10		1-2329114-2	1000±10		3-2329114-2	1000±10	
2329114-3	1500±15		1-2329114-3	1500±15		3-2329114-3	1500±15	
2329114-4	2000±15		1-2329114-4	2000±15		3-2329114-4	2000±15	
2329114-5	2500±20		1-2329114-5	2500±20		3-2329114-5	2500±20	
2329114-6	3000±20		1-2329114-6	3000±20		3-2329114-6	3000±20	
2329114-7	4000±30		1-2329114-7	4000±30		3-2329114-7	4000±30	
2329114-8	6000±50		1-2329114-8	6000±50		3-2329114-8	6000±50	
2329114-9	8000±70		1-2329114-9	8000±70		3-2329114-9	8000±70	
4-2329114-1	500±10	CHOOSE PRIORITY: 4TH HSG CODE: E (PN: 2310537-5) WIRE SIZE: 4MM ²	5-2329114-1	500±10	CHOOSE PRIORITY: 5TH HSG CODE: F (PN: 2310537-6) WIRE SIZE: 4MM ²	6-2329114-1	500±10	CHOOSE PRIORITY: 6TH HSG CODE: G (PN: 2310537-7) WIRE SIZE: 4MM ²
4-2329114-2	1000±10		5-2329114-2	1000±10		6-2329114-2	1000±10	
4-2329114-3	1500±15		5-2329114-3	1500±15		6-2329114-3	1500±15	
4-2329114-4	2000±15		5-2329114-4	2000±15		6-2329114-4	2000±15	
4-2329114-5	2500±20		5-2329114-5	2500±20		6-2329114-5	2500±20	
4-2329114-6	3000±20		5-2329114-6	3000±20		6-2329114-6	3000±20	
4-2329114-7	4000±30		5-2329114-7	4000±30		6-2329114-7	4000±30	
4-2329114-8	6000±50		5-2329114-8	6000±50		6-2329114-8	6000±50	
4-2329114-9	8000±70		5-2329114-9	8000±70		6-2329114-9	8000±70	

QTY	P/N	U/M	TE PART NUMBER	DESCRIPTION	ITEM
1	PC	-		LABEL	8
A/R	MM	-		HV SHIELDED POWER CABLE, ORANGE 4MM ²	7
1	PC	-		CABLE SEAL RETAINER	6
1	PC	-		CABLE SEAL	5
2	PC	-		INNER FERRULE	4
2	PC	-		OUTER FERRULE	3
2	PC	-		MCP 2.8 RECEPTACLE CONTACT	2
1	PC	2310537-7		2POS HVA280 PLUG HSG ASSY CODE G	1
1	PC	2310537-6		2POS HVA280 PLUG HSG ASSY CODE F	
1	PC	2310537-5		2POS HVA280 PLUG HSG ASSY CODE E	
1	PC	2310537-4		2POS HVA280 PLUG HSG ASSY CODE D	
1	PC	2310537-2		2POS HVA280 PLUG HSG ASSY CODE B	
1	PC	2310537-1		2POS HVA280 PLUG HSG ASSY CODE A	

THIS DRAWING IS A CONTROLLED DOCUMENT. 19MAR2018

DIMENSIONS: mm

TOLERANCES UNLESS OTHERWISE SPECIFIED:

0. PLC	±	-
1. PLC	±	-
2. PLC	±	-
3. PLC	±	-
4. PLC	±	-
ANGLES	±	-

MATERIAL: - FINISH: -

WEIGHT: 0

SCALE: 1:1 SHEET 2 OF 7

RESTRICTED TO

CUSTOMER DRAWING

TE Connectivity Ltd.

HVA280 2PHI PLUG 4SQ CABLE ASS'Y

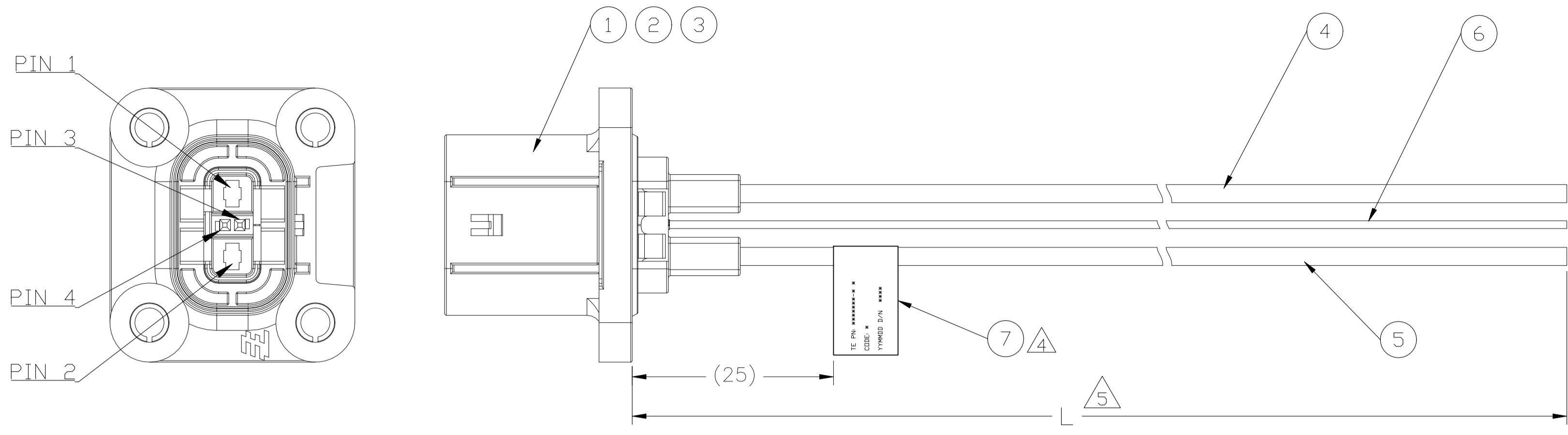
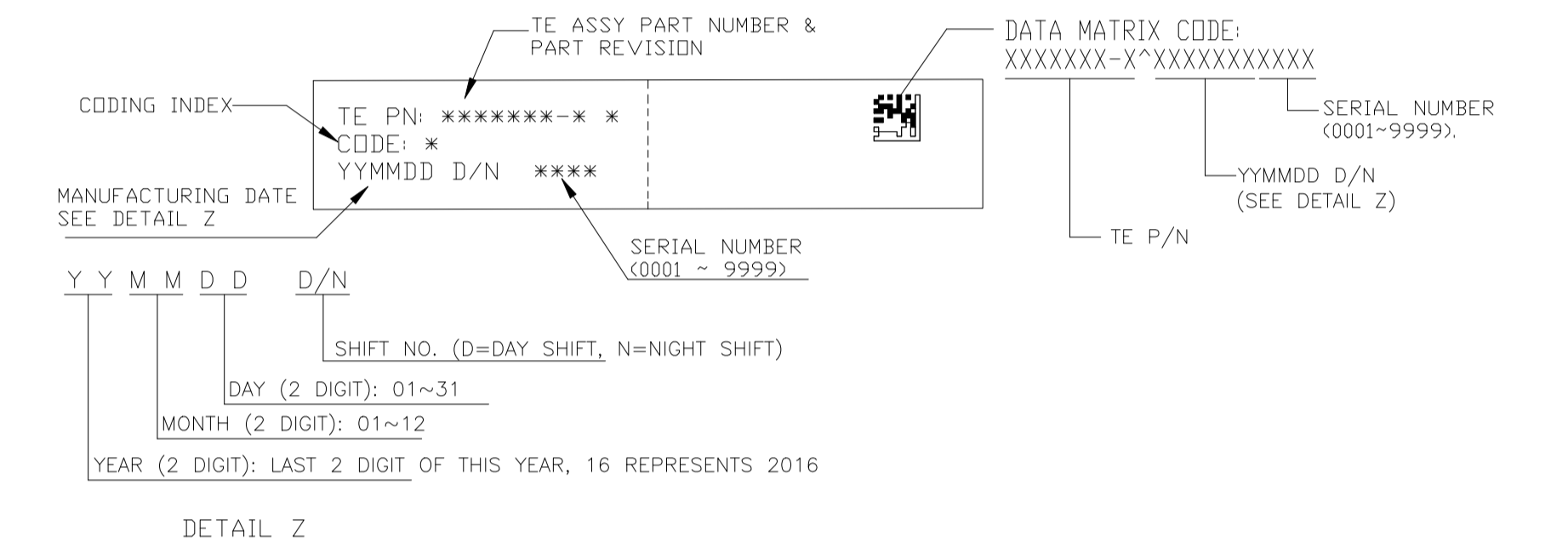
SIZE: A1 CAGE CODE: 00779 DRAWING NO: 2325664

REVISIONS					
P	LTR	DESCRIPTION	DATE	DRN	APPO
-		SEE SHEET 1	-	-	-

NOTES

- GENERAL ELECTRICAL TEST AFTER ASSEMBLY.
 - DIELECTRIC WITHSTAND: NO FLASHOVER WHEN SUBJECTED TO 2200VAC FOR 5 SECONDS, LEAKAGE CURRENT LESS THAN 10mA BETWEEN:
 - HV CIRCUIT 1 TO HV CIRCUIT 2
 - HV CIRCUIT 1 AND 2 TO SHIELD
 - INSULATION RESISTANCE: GREATER THAN 100MΩ WHEN SUBJECTED TO 1000VDC BETWEEN:
 - HV CIRCUIT 1 TO HV CIRCUIT 2
 - HV CIRCUIT 1 AND 2 TO SHIELD
- CONTINUITY TO BE 100% VERIFIED THROUGH ALL CIRCUIT AFTER ASSEMBLY
- APPLICATION INFORMATION:
 - RATING VOLTAGE: 600VDC
 - OPERATING TEMPERATURE: -40°C~+125°C
 - IP DEGREE: MATED STATE: IP6K9K, IPX7; UNMATED STATE: IP2XB.

⚠ LABEL CONTENT INCLUDES TE PART NUMBER, PART REVISION, CODING INDEX AND MANUFACTURING DATE. LABEL TO BE APPLIED TO THE CABLE AFTER SUCCESSFUL ELECTRICAL TEST. LABEL LEGEND:



JUNCTION 1 HSG CODE SEE TABLE

PIN OUT AND WIRE SIZE			
CIRCUIT	JUNCTION 1	WIRE SIZE	COLOR
1	PIN 1	3MM ²	RED
2	PIN 2	3MM ²	BLACK
3	PIN 3	0.5MM ²	BLACK
4	PIN 4	0.5MM ²	BLACK

RECOMMENDED MATING CONNECTION							
PLUG PIGTAIL CABLE				HEADER PIGTAIL CABLE			
PART NUMBER	LENGTH (L)	CODE	WIRE SIZE	PART NUMBER	LENGTH (L)	CODE	WIRE SIZE
-2325664-	SEE TABLE	A/B/D/E/F/G	3MM ²	*-2325681-*	SEE TABLE	A/B/D/E/F/G	3MM ² +0.5MM ²

⚠ TE P/N AND LENGTH LIST

TE P/N	L	REMARK	TE P/N	L	REMARK	TE P/N	L	REMARK
2325681-1	100±3	CHOOSE PRIORITY: 1ST HSG CODE: A (PN: 2310540-1) WIRE SIZE: 3MM ² +0.5MM ²	1-2325681-1	100±3	CHOOSE PRIORITY: 2ND HSG CODE: B (PN: 2310540-2) WIRE SIZE: 3MM ² +0.5MM ²	3-2325681-1	100±3	CHOOSE PRIORITY: 3RD HSG CODE: D (PN: 2310540-4) WIRE SIZE: 3MM ² +0.5MM ²
2325681-2	200±5		1-2325681-2	200±5		3-2325681-2	200±5	
2325681-3	300±5		1-2325681-3	300±5		3-2325681-3	300±5	
2325681-4	400±5		1-2325681-4	400±5		3-2325681-4	400±5	
2325681-5	500±10		1-2325681-5	500±10		3-2325681-5	500±10	
2325681-6	600±10		1-2325681-6	600±10		3-2325681-6	600±10	
2325681-7	800±10		1-2325681-7	800±10		3-2325681-7	800±10	
2325681-8	1000±10		1-2325681-8	1000±10		3-2325681-8	1000±10	
2325681-9	1500±15		1-2325681-9	1500±15		3-2325681-9	1500±15	
4-2325681-1	100±3	CHOOSE PRIORITY: 4TH HSG CODE: E (PN: 2310540-5) WIRE SIZE: 3MM ² +0.5MM ²	5-2325681-1	100±3	CHOOSE PRIORITY: 5TH HSG CODE: F (PN: 2310540-6) WIRE SIZE: 3MM ² +0.5MM ²	6-2325681-1	100±3	CHOOSE PRIORITY: 6TH HSG CODE: G (PN: 2310540-7) WIRE SIZE: 3MM ² +0.5MM ²
4-2325681-2	200±5		5-2325681-2	200±5		6-2325681-2	200±5	
4-2325681-3	300±5		5-2325681-3	300±5		6-2325681-3	300±5	
4-2325681-4	400±5		5-2325681-4	400±5		6-2325681-4	400±5	
4-2325681-5	500±10		5-2325681-5	500±10		6-2325681-5	500±10	
4-2325681-6	600±10		5-2325681-6	600±10		6-2325681-6	600±10	
4-2325681-7	800±10		5-2325681-7	800±10		6-2325681-7	800±10	
4-2325681-8	1000±10		5-2325681-8	1000±10		6-2325681-8	1000±10	
4-2325681-9	1500±15		5-2325681-9	1500±15		6-2325681-9	1500±15	

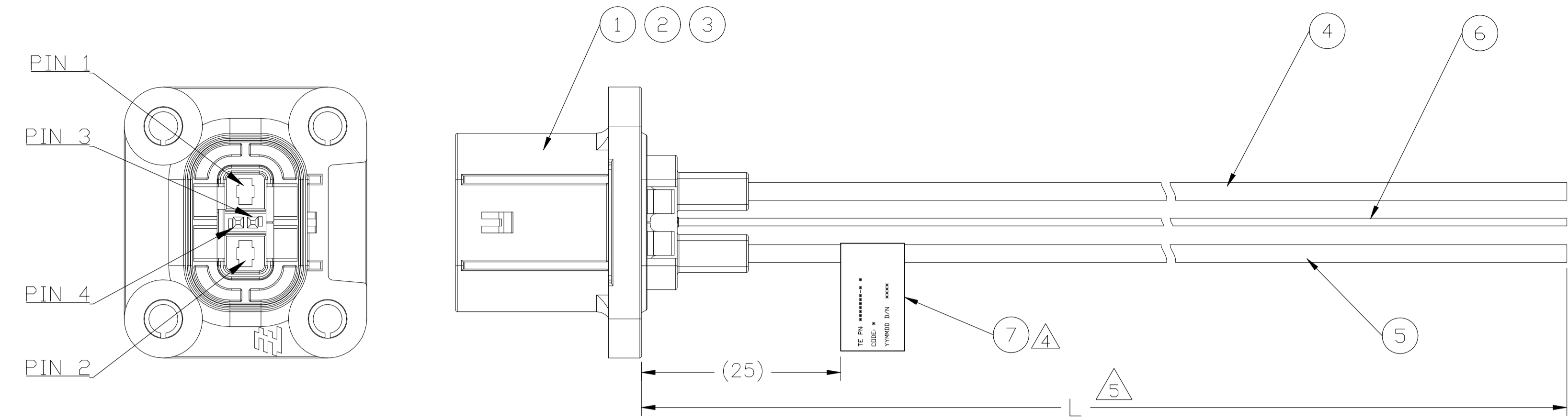
1	PC	-	LABEL	7	
A/R	PC	-	0.5 mm ² CABLE (BLACK)	6	
A/R	PC	-	3 mm ² HV CABLE (BLACK)	5	
A/R	PC	-	3 mm ² HV CABLE (RED)	4	
2	PC	-	MQS RECEPTACLE	3	
2	PC	-	MCP 2.8 BLADE CONTACT	2	
SEE TABLE	1	PC	2310540-7	2POS HVA280 HEADER HSG ASSY CODE G	1
	1	PC	2310540-6	2POS HVA280 HEADER HSG ASSY CODE F	
	1	PC	2310540-5	2POS HVA280 HEADER HSG ASSY CODE E	
	1	PC	2310540-4	2POS HVA280 HEADER HSG ASSY CODE D	
	1	PC	2310540-2	2POS HVA280 HEADER HSG ASSY CODE B	
	1	PC	2310540-1	2POS HVA280 HEADER HSG ASSY CODE A	
P/N SEE TABLE	QTY	U/M	TE PART NUMBER	DESCRIPTION	ITEM

THIS DRAWING IS A CONTROLLED DOCUMENT.		DIN	19MAR2018	TE Connectivity Ltd.	
DIMENSIONS: mm		PLC	19MAR2018	NAME	
TOLERANCES UNLESS OTHERWISE SPECIFIED:		PLC	19MAR2018	HVA280 2PHI HEADER 3SQ CABLE ASS'Y	
0. PLC ± -		PLC	19MAR2018	SIZE	
1. PLC ± -		PLC	19MAR2018	CAGE CODE	
2. PLC ± -		PLC	19MAR2018	DRAWING NO	
3. PLC ± -		PLC	19MAR2018	RESTRICTED TO	
4. PLC ± -		PLC	19MAR2018	A1 00779 C=2325664	
ANGLES ± -		PLC	19MAR2018	WEIGHT	
MATERIAL		PLC	19MAR2018	SCALE 1:1	
FINISH		PLC	19MAR2018	SHEET 3 OF 7	
CUSTOMER DRAWING		PLC	19MAR2018	REV B	

REVISIONS				
P	LTR	DESCRIPTION	DATE	APP'D
-		SEE SHEET 1	-	-

NOTES

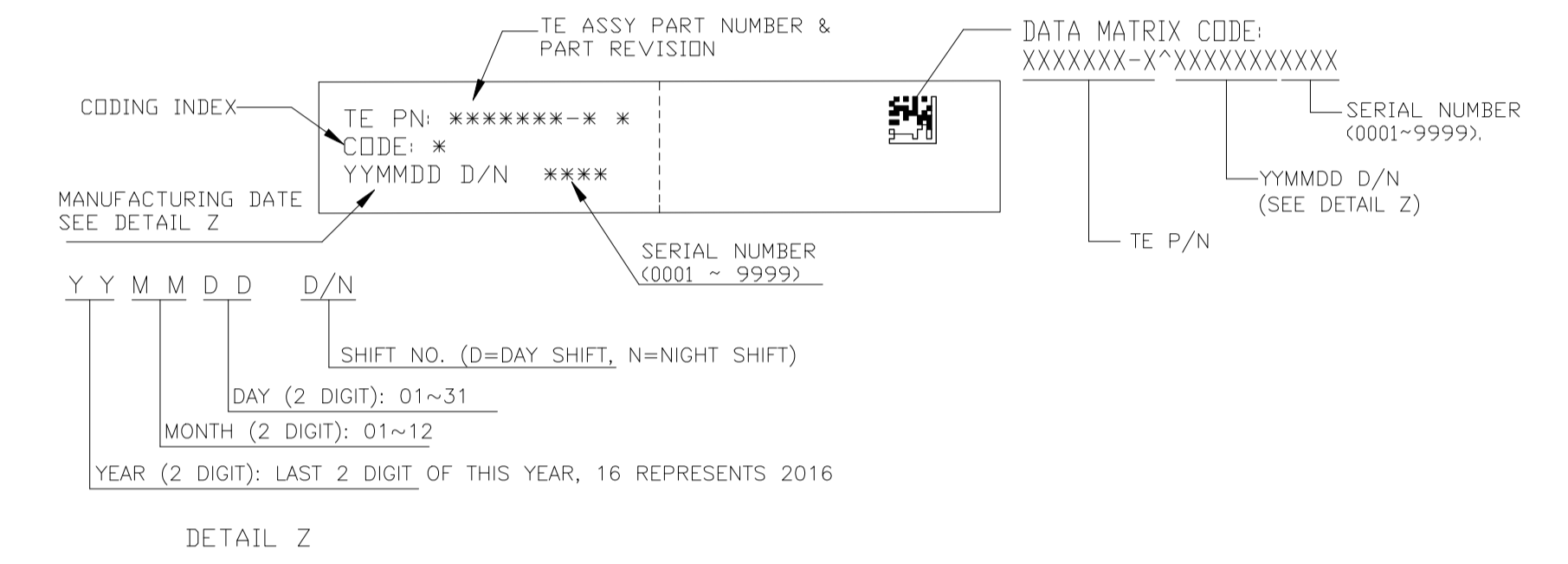
- GENERAL ELECTRICAL TEST AFTER ASSEMBLY.
 - DIELECTRIC WITHSTAND: NO FLASHOVER WHEN SUBJECTED TO 2200VAC FOR 5 SECONDS, LEAKAGE CURRENT LESS THAN 10mA BETWEEN:
 - HV CIRCUIT 1 TO HV CIRCUIT 2
 - HV CIRCUIT 1 AND 2 TO SHIELD
 - INSULATION RESISTANCE: GREATER THAN 100MΩ WHEN SUBJECTED TO 1000VDC BETWEEN:
 - HV CIRCUIT 1 TO HV CIRCUIT 2
 - HV CIRCUIT 1 AND 2 TO SHIELD
- CONTINUITY TO BE 100% VERIFIED THROUGH ALL CIRCUIT AFTER ASSEMBLY
- APPLICATION INFORMATION:
 - RATING VOLTAGE: 600VDC
 - OPERATING TEMPERATURE: -40°C~+125°C
 - IP DEGREE: MATED STATE: IP6K9K, IPX7; UNMATED STATE: IP2XB.



JUNCTION 1
HSG CODE SEE TABLE

PIN OUT AND WIRE SIZE			
CIRCUIT	JUNCTION 1	WIRE SIZE	COLOR
1	PIN 1	4MM ²	ORANGE/RED
2	PIN 2	4MM ²	ORANGE/BLACK
3	PIN 3	0.5MM ²	BLACK
4	PIN 4	0.5MM ²	BLACK

△ LABEL CONTENT INCLUDES TE PART NUMBER, PART REVISION, CODING INDEX AND MANUFACTURING DATE. LABEL TO BE APPLIED TO THE CABLE AFTER SUCCESSFUL ELECTRICAL TEST. LABEL LEGEND:



RECOMMENDED MATING CONNECTION							
PLUG PIGTAIL CABLE				HEADER PIGTAIL CABLE			
PART NUMBER	LENGTH (L)	CODE	WIRE SIZE	PART NUMBER	LENGTH (L)	CODE	WIRE SIZE
-2329114-	SEE TABLE	A/B/D/E/F/G	4MM ²	*-2329116-*	SEE TABLE	A/B/D/E/F/G	4MM ² +0.5MM ²

△ TE P/N AND LENGTH LIST

TE P/N	L	REMARK	TE P/N	L	REMARK	TE P/N	L	REMARK
2329116-1	100±3	CHOOSE PRIORITY: 1ST HSG CODE: A (PN: 2310540-1) WIRE SIZE: 4MM ² +0.5MM ²	1-2329116-1	100±3	CHOOSE PRIORITY: 2ND HSG CODE: B (PN: 2310540-2) WIRE SIZE: 4MM ² +0.5MM ²	3-2329116-1	100±3	CHOOSE PRIORITY: 3RD HSG CODE: D (PN: 2310540-4) WIRE SIZE: 4MM ² +0.5MM ²
2329116-2	200±5		1-2329116-2	200±5		3-2329116-2	200±5	
2329116-3	300±5		1-2329116-3	300±5		3-2329116-3	300±5	
2329116-4	400±5		1-2329116-4	400±5		3-2329116-4	400±5	
2329116-5	500±10		1-2329116-5	500±10		3-2329116-5	500±10	
2329116-6	600±10		1-2329116-6	600±10		3-2329116-6	600±10	
2329116-7	800±10		1-2329116-7	800±10		3-2329116-7	800±10	
2329116-8	1000±10		1-2329116-8	1000±10		3-2329116-8	1000±10	
2329116-9	1500±15		1-2329116-9	1500±15		3-2329116-9	1500±15	
4-2329116-1	100±3	CHOOSE PRIORITY: 4TH HSG CODE: E (PN: 2310540-5) WIRE SIZE: 4MM ² +0.5MM ²	5-2329116-1	100±3	CHOOSE PRIORITY: 5TH HSG CODE: F (PN: 2310540-6) WIRE SIZE: 4MM ² +0.5MM ²	6-2329116-1	100±3	CHOOSE PRIORITY: 6TH HSG CODE: G (PN: 2310540-7) WIRE SIZE: 4MM ² +0.5MM ²
4-2329116-2	200±5		5-2329116-2	200±5		6-2329116-2	200±5	
4-2329116-3	300±5		5-2329116-3	300±5		6-2329116-3	300±5	
4-2329116-4	400±5		5-2329116-4	400±5		6-2329116-4	400±5	
4-2329116-5	500±10		5-2329116-5	500±10		6-2329116-5	500±10	
4-2329116-6	600±10		5-2329116-6	600±10		6-2329116-6	600±10	
4-2329116-7	800±10		5-2329116-7	800±10		6-2329116-7	800±10	
4-2329116-8	1000±10		5-2329116-8	1000±10		6-2329116-8	1000±10	
4-2329116-9	1500±15		5-2329116-9	1500±15		6-2329116-9	1500±15	

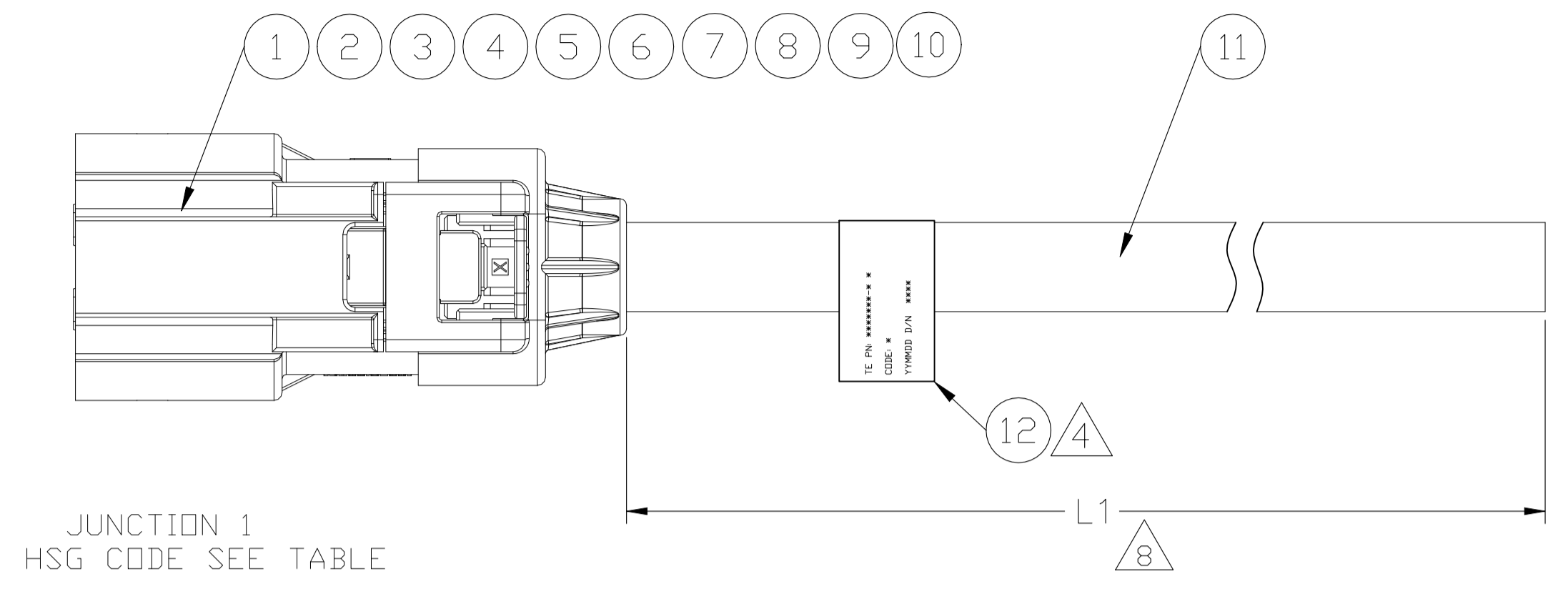
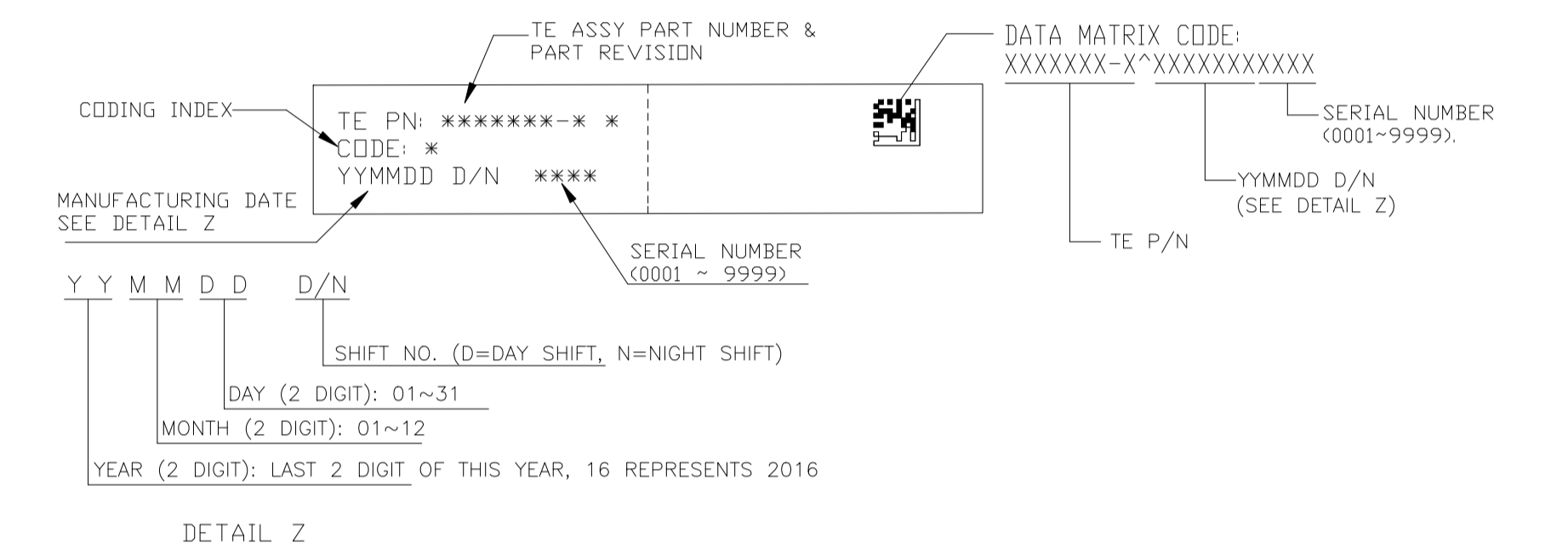
1	PC	-	LABEL	7
A/R	PC	-	0.5 mm ² CABLE (BLACK)	6
A/R	PC	-	4 mm ² HV CABLE, BLACK	5
A/R	PC	-	4 mm ² HV CABLE, RED	4
2	PC	-	MQS RECEPTACLE	3
2	PC	-	MCP 2.8 BLADE CONTACT	2
1	PC	2310540-7	2POS HVA280 HEADER HSG ASSY CODE G	1
1	PC	2310540-6	2POS HVA280 HEADER HSG ASSY CODE F	
1	PC	2310540-5	2POS HVA280 HEADER HSG ASSY CODE E	
1	PC	2310540-4	2POS HVA280 HEADER HSG ASSY CODE D	
1	PC	2310540-2	2POS HVA280 HEADER HSG ASSY CODE B	
1	PC	2310540-1	2POS HVA280 HEADER HSG ASSY CODE A	
P/N SEE TABLE QTY	U/M	TE PART NUMBER	DESCRIPTION	ITEM

THIS DRAWING IS A CONTROLLED DOCUMENT.		DIN	19MAR2018	TE Connectivity Ltd.	
DIMENSIONS: mm		PLC	19MAR2018	NAME	
TOLERANCES UNLESS OTHERWISE SPECIFIED:		PLC	19MAR2018	HVA280 2PHI HEADER 4SQ CABLE ASS'Y	
0. PLC ± -		PLC	19MAR2018	SIZE	
1. PLC ± -		PLC	19MAR2018	CAGE CODE	
2. PLC ± -		PLC	19MAR2018	DRAWING NO	
3. PLC ± -		PLC	19MAR2018	A1 00779	
4. PLC ± -		PLC	19MAR2018	C=2325664	
ANGLES ± -		PLC	19MAR2018	RESTRICTED TO	
MATERIAL		FINISH	WEIGHT	CUSTOMER DRAWING	
				SCALE 1:1 SHEET 4 OF 7 REV B	

REVISIONS				
P	LTR	DESCRIPTION	DATE	APP'D
-		SEE SHEET 1	-	-

NOTES

- GENERAL ELECTRICAL TEST AFTER ASSEMBLY.
 - DIELECTRIC WITHSTAND: NO FLASHOVER WHEN SUBJECTED TO 2200VAC FOR 5 SECONDS, LEAKAGE CURRENTLESS THAN 10mA BETWEEN:
 - HV CIRCUIT 1&2 AND 3
 - HV CIRCUIT 1 AND 2
 - HV CIRCUIT 1&2&3 TO SHIELD
 - INSULATION RESISTANCE: GREATER THAN 100MΩ WHEN SUBJECTED TO 1000VDC BETWEEN:
 - HV CIRCUIT 1&2 AND 3
 - HV CIRCUIT 1 AND 2
 - HV CIRCUIT 1&2&3 TO SHIELD
 - CONTINUITY TO BE 100% VERIFIED THROUGH ALL CIRCUIT AFTER ASSEMBLY
 - APPLICATION INFORMATION:
 - RATING VOLTAGE: 600VDC
 - OPERATING TEMPERATURE: -40°C~+125°C
 - IP DEGREE: MATED STATE: IP6K9K, IP67; UNMATED STATE: IP2XB.
- 4 LABEL CONTENT INCLUDES TE PART NUMBER, PART REVISION, CODING INDEX AND MANUFACTURING DATE. LABEL TO BE APPLIED TO THE CABLE AFTER SUCCESSFUL ELECTRICAL TEST. LABEL LEGEND:



PIN OUT AND WIRE SIZE			
CIRCUIT	JUNCTION 1	WIRE SIZE	COLOR
1	PIN 1	2.5MM ²	BLUE
2	PIN 2	2.5MM ²	BROWN
3	PIN 3	2.5MM ²	YELLOW/GREEN

RECOMMENDED MATING CONNECTION							
PLUG PIGTAIL CABLE				HEADER PIGTAIL CABLE			
PART NUMBER	LENGTH (L)	CODE	WIRE SIZE	PART NUMBER	LENGTH (L)	CODE	WIRE SIZE
-2325957-	SEE TABLE	A/B/D/E/F	3x2.5MM ²	*-2325961-*	SEE TABLE	A/B/D/E/F	3MM ²

5 TE P/N AND LENGTH LIST

TE P/N	L	REMARK	TE P/N	L	REMARK	TE P/N	L	REMARK
2325957-1	500±10	CHOOSE PRIORITY: 1ST HSG CODE: A (PN: 2310538-1) WIRE SIZE: 3x2.5MM ²	1-2325957-1	500±10	CHOOSE PRIORITY: 2ND HSG CODE: B (PN: 2310538-2) WIRE SIZE: 3x2.5MM ²	3-2325957-1	500±10	CHOOSE PRIORITY: 3RD HSG CODE: D (PN: 2310538-4) WIRE SIZE: 3x2.5MM ²
2325957-2	1000±10		1-2325957-2	1000±10		3-2325957-2	1000±10	
2325957-3	1500±15		1-2325957-3	1500±15		3-2325957-3	1500±15	
2325957-4	2000±15		1-2325957-4	2000±15		3-2325957-4	2000±15	
2325957-5	2500±20		1-2325957-5	2500±20		3-2325957-5	2500±20	
2325957-6	3000±20		1-2325957-6	3000±20		3-2325957-6	3000±20	
2325957-7	4000±30		1-2325957-7	4000±30		3-2325957-7	4000±30	
2325957-8	6000±50		1-2325957-8	6000±50		3-2325957-8	6000±50	
2325957-9	8000±70		1-2325957-9	8000±70		3-2325957-9	8000±70	
4-2325957-1	500±10	CHOOSE PRIORITY: 4TH HSG CODE: E (PN: 2310538-5) WIRE SIZE: 3x2.5MM ²	5-2325957-1	500±10	CHOOSE PRIORITY: 5TH HSG CODE: F (PN: 2310538-6) WIRE SIZE: 3x2.5MM ²			
4-2325957-2	1000±10		5-2325957-2	1000±10				
4-2325957-3	1500±15		5-2325957-3	1500±15				
4-2325957-4	2000±15		5-2325957-4	2000±15				
4-2325957-5	2500±20		5-2325957-5	2500±20				
4-2325957-6	3000±20		5-2325957-6	3000±20				
4-2325957-7	4000±30		5-2325957-7	4000±30				
4-2325957-8	6000±50		5-2325957-8	6000±50				
4-2325957-9	8000±70		5-2325957-9	8000±70				

QTY	P/N	U/M	TE PART NUMBER	DESCRIPTION	ITEM
1	PC	-		LABEL	12
A/R	MM	-		3POS,CABLE,3x2.5SQMM,HYBRID,ORANGE	11
1	PC	-		CABLE SEAL RETAINER, SIZE 2, BK, HVA280	10
1	PC	-		COLLET, SIZE 2, HVA280	9
1	PC	-		CABLE SEAL, SIZE 2, HVA280	8
1	PC	-		SPACER, HVA280-2PHM	7
1	PC	-		OUTER FERRULE, SIZE B, HVA280	6
1	PC	-		INNER FERRULE, SIZE B, HVA280	5
2	PC	-		SHIELD, PLUG, SIZE 2, Ag, HVA280	4
3	PC	-		AMP MCP 2.8, CONTACT	3
1	PC	-		INNER HOUSING, PLUG, HVA280-3PHM, XE	2
1	PC		2310538-6	PLUG SUBASSY, HVA280-3PHM, CODE F	1
1	PC		2310538-5	PLUG SUBASSY, HVA280-3PHM, CODE E	
1	PC		2310538-4	PLUG SUBASSY, HVA280-3PHM, CODE D	
1	PC		2310538-2	PLUG SUBASSY, HVA280-3PHM, CODE B	
1	PC		2310538-1	PLUG SUBASSY, HVA280-3PHM, CODE A,	

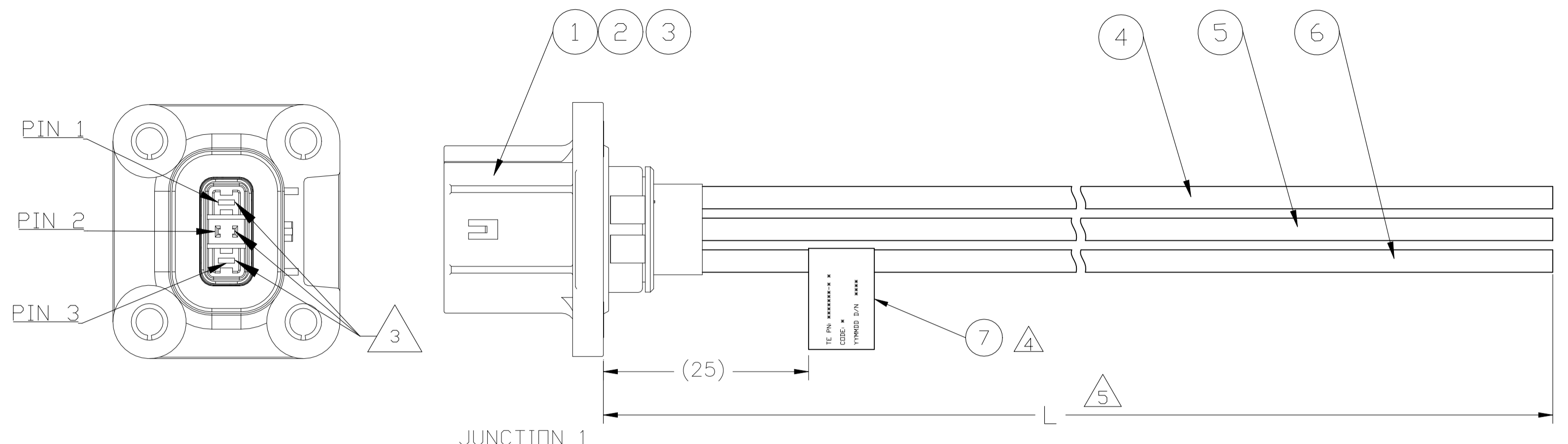
THIS DRAWING IS A CONTROLLED DOCUMENT.

TE Connectivity Ltd.

HVA280 3PHM PLUG 3x2.5SQ CABLE ASS'Y

SCALE 1:1 SHEET 5 OF 7 REV B

REVISIONS				
P	LTR	DESCRIPTION	DATE	APP'D
-	-	SEE SHEET 1	-	-



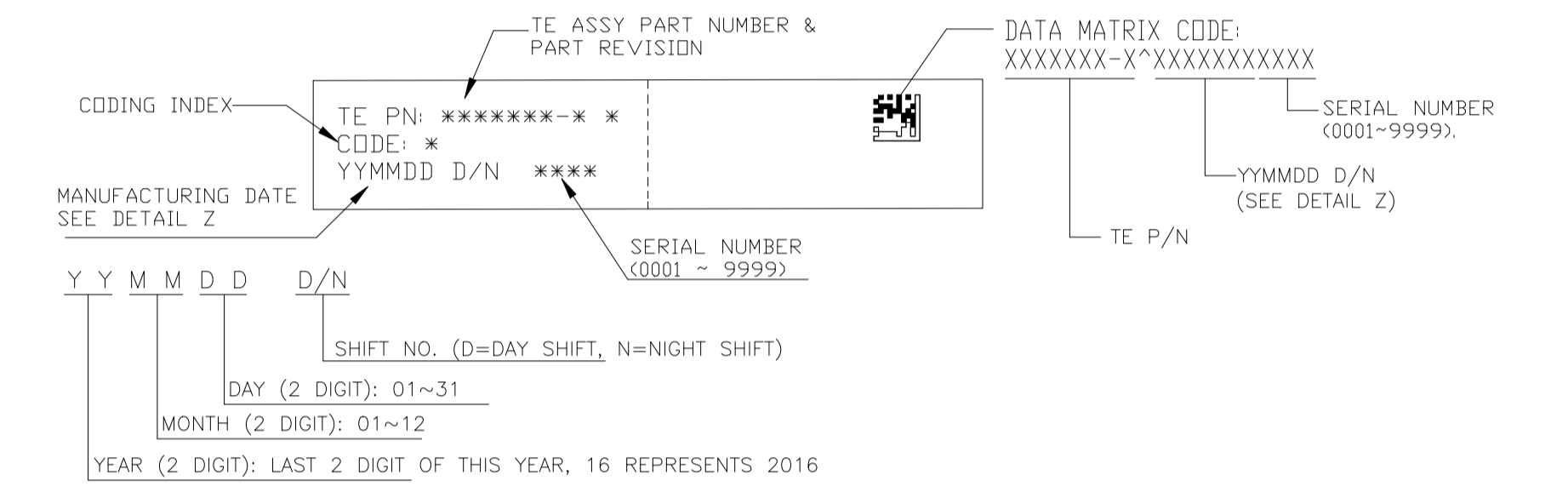
JUNCTION 1
HSG CODE SEE TABLE

PIN OUT AND WIRE SIZE			
CIRCUIT	JUNCTION 1	WIRE SIZE	COLOR
1	PIN 1	3MM ²	RED
2	PIN 2	3MM ²	BLACK
3	PIN 3	3MM ²	BLUE

NOTES

- GENERAL ELECTRICAL TEST AFTER ASSEMBLY.
 - DIELECTRIC WITHSTAND: NO FLASHOVER WHEN SUBJECTED TO 2200VAC FOR 5 SECONDS, LEAKAGE CURRENT LESS THAN 10mA BETWEEN:
 - HV CIRCUIT 1 TO HV CIRCUIT 2
 - HV CIRCUIT 1 AND 2 TO SHIELD
 - INSULATION RESISTANCE: GREATER THAN 100MΩ WHEN SUBJECTED TO 1000VDC BETWEEN:
 - HV CIRCUIT 1 TO HV CIRCUIT 2
 - HV CIRCUIT 1 AND 2 TO SHIELD
- CONTINUITY TO BE 100% VERIFIED THROUGH ALL CIRCUIT AFTER ASSEMBLY
- APPLICATION INFORMATION:
 - RATING VOLTAGE: 600VDC
 - OPERATING TEMPERATURE: -40°C~+125°C
 - IP DEGREE: MATED STATE: IP6K9K, IPX7; UNMATED STATE: IP2XB.

△ LABEL CONTENT INCLUDES TE PART NUMBER, PART REVISION, CODING INDEX AND MANUFACTURING DATE. LABEL TO BE APPLIED TO THE CABLE AFTER SUCCESSFUL ELECTRICAL TEST. LABEL LEGEND:



RECOMMENDED MATING CONNECTION							
PLUG PIGTAIL CABLE				HEADER PIGTAIL CABLE			
PART NUMBER	LENGTH (L)	CODE	WIRE SIZE	PART NUMBER	LENGTH (L)	CODE	WIRE SIZE
-2325957-	SEE TABLE	A/B/D/E/F	3x2.5MM ²	*-2325961-*	SEE TABLE	A/B/D/E/F	3MM ²

△ TE P/N AND LENGTH LIST

TE P/N	L	REMARK	TE P/N	L	REMARK	TE P/N	L	REMARK
2325961-1	100±3	CHOOSE PRIORITY: 1ST HSG CODE: A (PN: 2310541-1 AND 2103321-1) WIRE SIZE: 3MM ²	1-2325961-1	100±3	CHOOSE PRIORITY: 2ND HSG CODE: B (PN: 2310541-2 AND 2103321-2) WIRE SIZE: 3MM ²	3-2325961-1	100±3	CHOOSE PRIORITY: 3RD HSG CODE: D (PN: 2310541-4 AND 2103321-4) WIRE SIZE: 3MM ²
2325961-2	200±5		1-2325961-2	200±5		3-2325961-2	200±5	
2325961-3	300±5		1-2325961-3	300±5		3-2325961-3	300±5	
2325961-4	400±5		1-2325961-4	400±5		3-2325961-4	400±5	
2325961-5	500±10		1-2325961-5	500±10		3-2325961-5	500±10	
2325961-6	600±10		1-2325961-6	600±10		3-2325961-6	600±10	
2325961-7	800±10		1-2325961-7	800±10		3-2325961-7	800±10	
2325961-8	1000±10		1-2325961-8	1000±10		3-2325961-8	1000±10	
2325961-9	1500±15		1-2325961-9	1500±15		3-2325961-9	1500±15	
4-2325961-1	100±3	CHOOSE PRIORITY: 4TH HSG CODE: E (PN: 2310541-5 AND 2103321-5) WIRE SIZE: 3MM ²	5-2325961-1	100±3	CHOOSE PRIORITY: 5TH HSG CODE: F (PN: 2310541-6 AND 2103321-6) WIRE SIZE: 3MM ²			
4-2325961-2	200±5		5-2325961-2	200±5				
4-2325961-3	300±5		5-2325961-3	300±5				
4-2325961-4	400±5		5-2325961-4	400±5				
4-2325961-5	500±10		5-2325961-5	500±10				
4-2325961-6	600±10		5-2325961-6	600±10				
4-2325961-7	800±10		5-2325961-7	800±10				
4-2325961-8	1000±10		5-2325961-8	1000±10				
4-2325961-9	1500±15		5-2325961-9	1500±15				

1	PC	-	LABEL	7	
A/R	PC	-	3 mm ² HV CABLE (BLUE)	6	
A/R	PC	-	3 mm ² HV CABLE (BLACK)	5	
A/R	PC	-	3 mm ² HV CABLE (RED)	4	
3	PC	-	MCP 2.8 BLADE CONTACT	3	
SEE TABLE	1	PC	2103321-6	HVA280 3P INNER HSG, SPLIT HEADER CODE F	2
	1	PC	2103321-5	HVA280 3P INNER HSG, SPLIT HEADER CODE E	
	1	PC	2103321-4	HVA280 3P INNER HSG, SPLIT HEADER CODE D	
	1	PC	2103321-2	HVA280 3P INNER HSG, SPLIT HEADER CODE B	
	1	PC	2103321-1	HVA280 3P INNER HSG, SPLIT HEADER CODE A	1
	1	PC	2310541-6	HVA280 3P SPLIT HERAER ASSY CODE F	
	1	PC	2310541-5	HVA280 3P SPLIT HERAER ASSY CODE E	
	1	PC	2310541-4	HVA280 3P SPLIT HERAER ASSY CODE D	
1	PC	2310541-2	HVA280 3P SPLIT HERAER ASSY CODE B		
1	PC	2310541-1	HVA280 3P SPLIT HERAER ASSY CODE A		
P/N SEE TABLE	U/M	TE PART NUMBER	DESCRIPTION	ITEM	
QTY					

THIS DRAWING IS A CONTROLLED DOCUMENT.

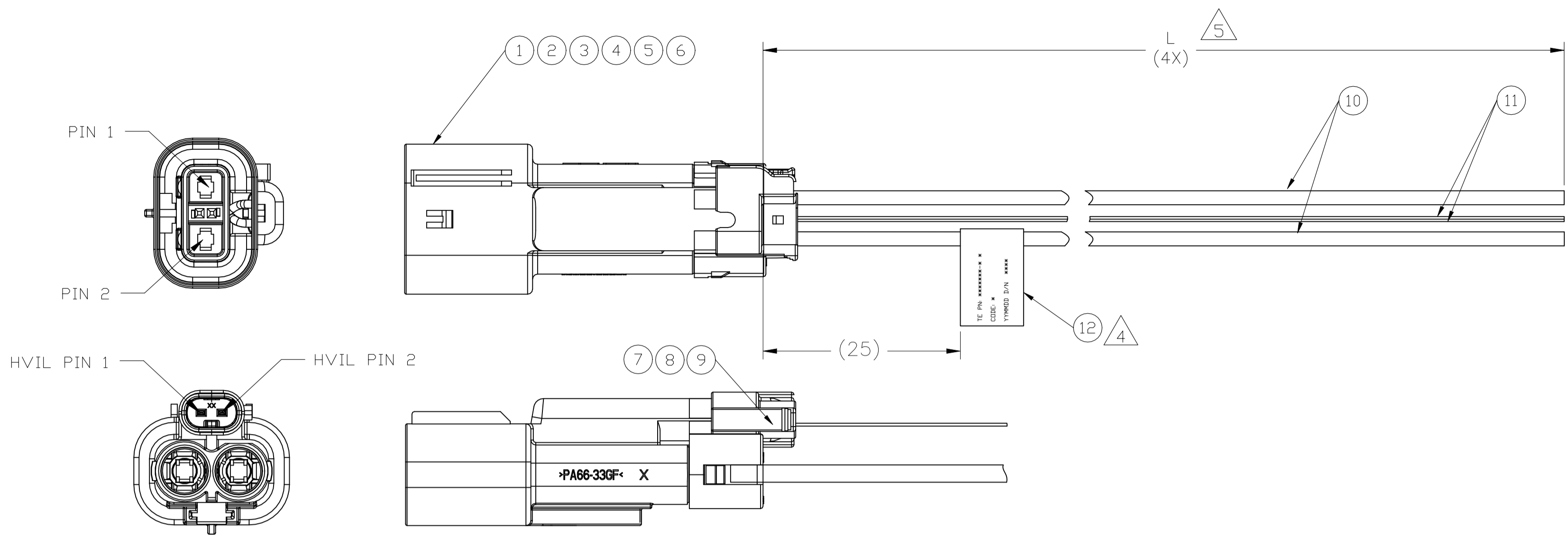
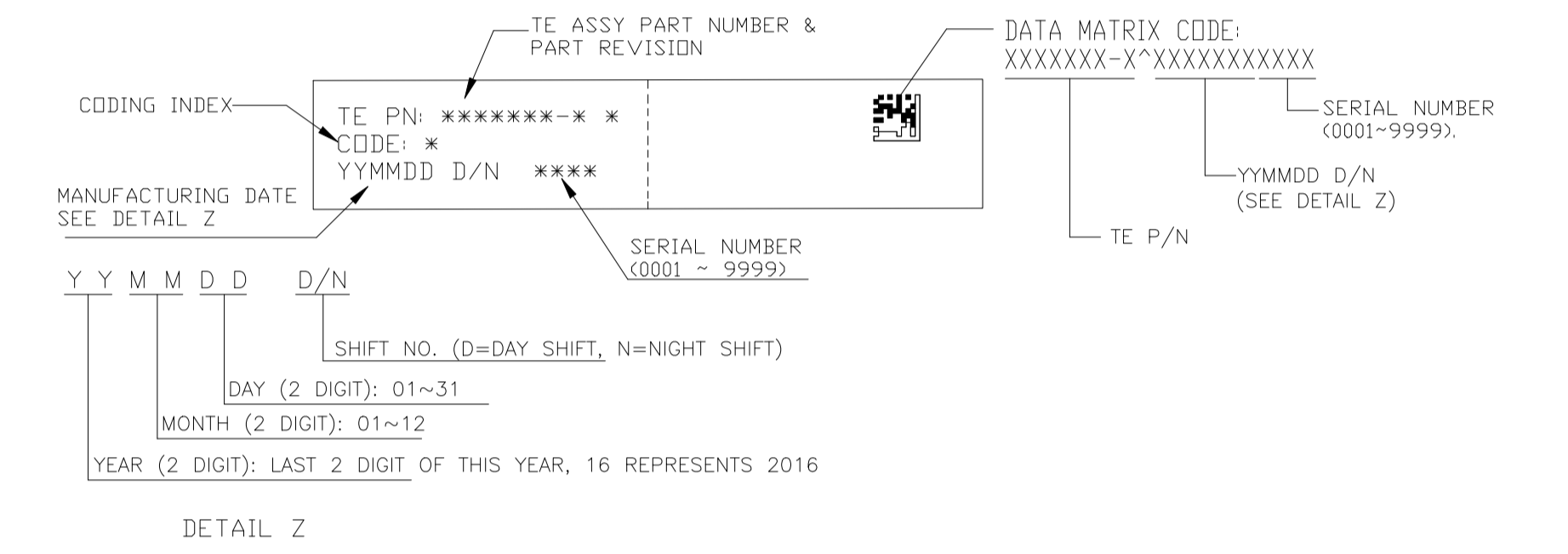
DIMENSIONS: mm	TOLERANCES UNLESS OTHERWISE SPECIFIED:	DIN F.L. 19MAR2018	TE Connectivity Ltd.
0. PLC ± -	1. PLC ± -	CIK 19MAR2018	
2. PLC ± -	3. PLC ± -	APVD P.WJ 19MAR2018	
4. PLC ± -	ANGLES ± -	NAME	HVA280 3PHI HEADER 3SQ CABLE ASS'Y
MATERIAL	FINISH	APPLICATION SPEC	
		SIZE	A1
		WEIGHT	00779
		SCALE	1:1
		SHEET	6 of 7
		REV	B

REVISIONS				
P	LTR	DESCRIPTION	DATE	APP'D
-		SEE SHEET 1	-	-

NOTES

- GENERAL ELECTRICAL TEST AFTER ASSEMBLY.
 - DIELECTRIC WITHSTAND: NO FLASHOVER WHEN SUBJECTED TO 2200VAC FOR 5 SECONDS, LEAKAGE CURRENT LESS THAN 10mA BETWEEN:
 - HV CIRCUIT 1 TO HV CIRCUIT 2
 - HV CIRCUIT 1 AND 2 TO SHIELD
 - INSULATION RESISTANCE: GREATER THAN 100MΩ WHEN SUBJECTED TO 1000VDC BETWEEN:
 - HV CIRCUIT 1 TO HV CIRCUIT 2
 - HV CIRCUIT 1 AND 2 TO SHIELD
- CONTINUITY TO BE 100% VERIFIED THROUGH ALL CIRCUIT AFTER ASSEMBLY
- APPLICATION INFORMATION:
 - RATING VOLTAGE: 600VDC
 - OPERATING TEMPERATURE: -40°C~+125°C
 - IP DEGREE: MATED STATE: IP6K9K, IPX7; UNMATED STATE: IP2XB.

△ LABEL CONTENT INCLUDES TE PART NUMBER, PART REVISION, CODING INDEX AND MANUFACTURING DATE. LABEL TO BE APPLIED TO THE CABLE AFTER SUCCESSFUL ELECTRICAL TEST. LABEL LEGEND:



JUNCTION 1
HSG CODE SEE TABLE

PIN OUT AND WIRE SIZE			
CIRCUIT	JUNCTION 1	WIRE SIZE	COLOR
1	PIN 1	3MM ²	ORANGE
2	PIN 2	3MM ²	ORANGE
3	HVIL PIN 1	0.5MM ²	BLACK
4	HVIL PIN 2	0.5MM ²	BLACK

RECOMMENDED MATING CONNECTION							
PLUG PIGTAIL CABLE				INLINE PIGTAIL CABLE			
PART NUMBER	LENGTH (L)	CODE	WIRE SIZE	PART NUMBER	LENGTH (L)	CODE	WIRE SIZE
-2325664	SEE TABLE	A/B/D/E/F	3MM ²	*-2333424*	SEE TABLE	A/B/D/E/F	3MM ² +0.5MM ²

△ TE P/N AND LENGTH LIST

TE P/N	L	REMARK	TE P/N	L	REMARK	TE P/N	L	REMARK
2333424-1	500±10	CHOOSE PRIORITY: 1ST HSG CODE: A (PN: 2103191-1) WIRE SIZE: 3MM ² +0.5MM ²	1-2333424-1	500±10	CHOOSE PRIORITY: 2ND HSG CODE: B (PN: 2103191-2) WIRE SIZE: 3MM ² +0.5MM ²	3-2333424-1	500±10	CHOOSE PRIORITY: 3RD HSG CODE: D (PN: 2103191-4) WIRE SIZE: 3MM ² +0.5MM ²
2333424-2	1000±10		1-2333424-2	1000±10		3-2333424-2	1000±10	
2333424-3	1500±15		1-2333424-3	1500±15		3-2333424-3	1500±15	
2333424-4	2000±15		1-2333424-4	2000±15		3-2333424-4	2000±15	
2333424-5	2500±20		1-2333424-5	2500±20		3-2333424-5	2500±20	
2333424-6	3000±20		1-2333424-6	3000±20		3-2333424-6	3000±20	
2333424-7	4000±30		1-2333424-7	4000±30		3-2333424-7	4000±30	
2333424-8	6000±50		1-2333424-8	6000±50		3-2333424-8	6000±50	
2333424-9	8000±70		1-2333424-9	8000±70		3-2333424-9	8000±70	
4-2333424-1	500±10	CHOOSE PRIORITY: 4TH HSG CODE: E (PN: 2103191-5) WIRE SIZE: 3MM ² +0.5MM ²	5-2333424-1	500±10	CHOOSE PRIORITY: 5TH HSG CODE: F (PN: 2103191-6) WIRE SIZE: 3MM ² +0.5MM ²			
4-2333424-2	1000±10		5-2333424-2	1000±10				
4-2333424-3	1500±15		5-2333424-3	1500±15				
4-2333424-4	2000±15		5-2333424-4	2000±15				
4-2333424-5	2500±20		5-2333424-5	2500±20				
4-2333424-6	3000±20		5-2333424-6	3000±20				
4-2333424-7	4000±30		5-2333424-7	4000±30				
4-2333424-8	6000±50		5-2333424-8	6000±50				
4-2333424-9	8000±70		5-2333424-9	8000±70				

1	PC	-	LABEL	12
A/R	MM	-	0.5mm ² CABLE (BLACK)	11
A/R	MM	-	HV SHIELDED POWER CABLE, 3mm ² , ORANGE	10
2	PC	-	SINGLE WIRE SEAL	9
2	PC	-	MCON 1.2MM TERMINAL	8
1	PC	-	MCON 2P CONNECTOR ASSY	7
1	PC	-	CABLE SEAL RETAINER	6
2	PC	-	CABLE SEAL	5
2	PC	-	INNER FERRULE	4
2	PC	-	OUTER FERRULE	3
2	PC	-	MCP 2.8 BLADE CONTACT	2
1	PC	2103191-6	CAP SUBASSY, HVA280-2PHI CODE F	1
1	PC	2103191-5	CAP SUBASSY, HVA280-2PHI CODE E	
1	PC	2103191-4	CAP SUBASSY, HVA280-2PHI CODE D	
1	PC	2103191-2	CAP SUBASSY, HVA280-2PHI CODE B	
1	PC	2103191-1	CAP SUBASSY, HVA280-2PHI CODE A	
P/N SEE TABLE QTY	U/M	TE PART NUMBER	DESCRIPTION	ITEM

THIS DRAWING IS A CONTROLLED DOCUMENT.

DIMENSIONS: mm

TOLERANCES UNLESS OTHERWISE SPECIFIED:

0. PLC	±	-
1. PLC	±	-
2. PLC	±	-
3. PLC	±	-
4. PLC	±	-
ANGLES	±	-

MATERIAL: - FINISH: -

THIS DRAWING IS A CONTROLLED DOCUMENT.

DIN F.L. 19MAR2018

CHK: P.WJ 19MAR2018

APP'D: P.WJ 19MAR2018

PRODUCT SPEC

APPLICATION SPEC

SIZE: A1

CAGE CODE: 00779

DRAWING NO: 2325664

RESTRICTED TO

WEIGHT: -

CUSTOMER DRAWING

SCALE: 1:1

SHEET: 7 OF 7

REV: B