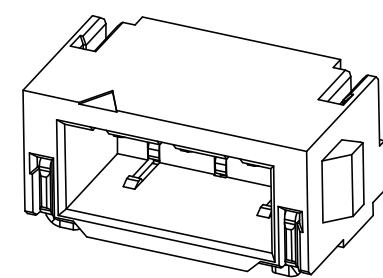
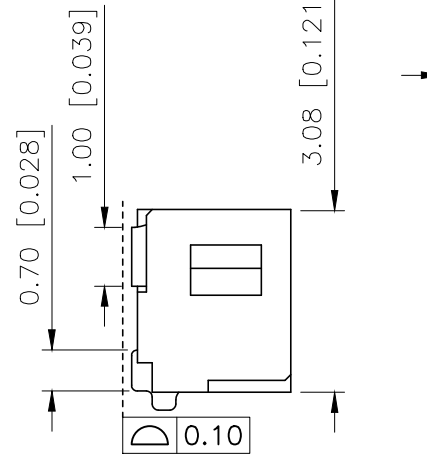
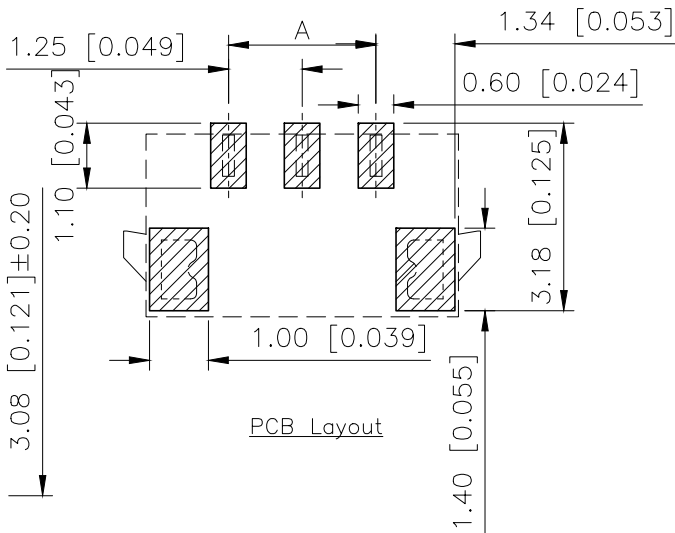
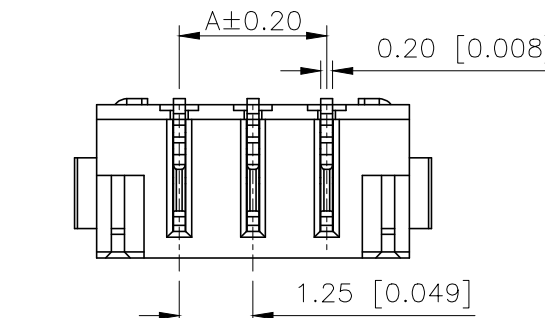
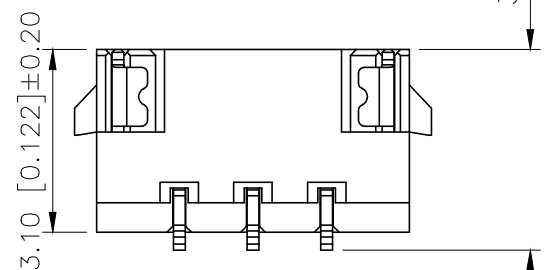
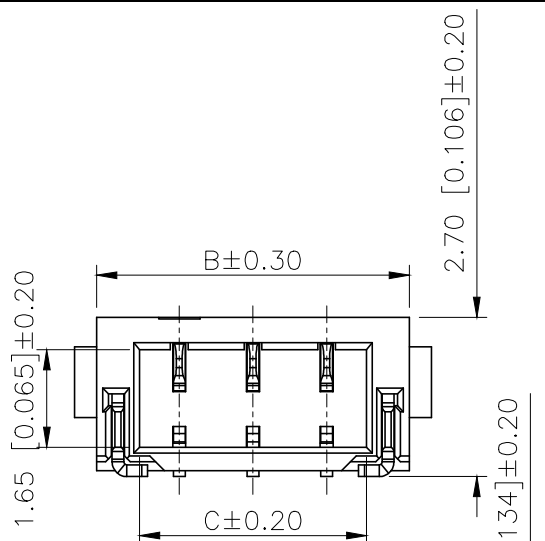


REVISIONS					
REV.	ECN NO.	LOCATION	DESCRIPTION	DATE	DESIGN
A0	N/A		INITIAL RELEASE	/	/
A1	N/A		图面升级整理图面	2025.2.7	阿树



Specifications:
 规格:
 Voltage rating:150V AC/DC
 额定电压: 150V AC/DC
 Current rating:1A AC/DC
 额定电流: 1A AC/DC
 Withstanding voltage:800V AC/minute
 耐受电压: 800V AC/分钟
 Temperature range:-25℃~+85℃
 温度范围: -25℃~+85℃
 Insulation resistance:≥1000MΩ
 绝缘电阻: ≥1000MΩ
 Contact resistance:≤10mΩ
 接触电阻: ≤10mΩ

PART NO.:

X1256 W R S-XX-LP SN
 ① ② ③ ④ ⑤ ⑥ ⑦

- ①Series No
- ②Category:W-Wafer
- ③Welding Board Angle:R-Stright 90°
- ④Welding Way:S-SMT
- ⑤Row No.Pin No:XX-02~10P
- ⑥Material:LP-LCP UL94V-0 (Beige)
- ⑦Plating:SN-Tin Plated

Poles	Dimensions(mm)		
	A	B	C
02	1.25	4.05	2.60
03	2.50	5.30	3.85
04	3.75	6.55	5.10
05	5.00	7.80	6.35
06	6.25	9.05	7.60
07	7.50	10.30	8.85
08	8.75	11.50	10.10
09	10.00	12.80	11.35
10	11.25	14.05	12.60

X1256WRS-XX-LPSN	LCP	Phosphor Bronze	X1256H
PART NO	Material	Material(Pin)	Suitable XKB Housing

AuGLAR	±5°
X.	±0.40
X.x	±0.30
X.xx	±0.20
X.xxx	±0.15
UNSPECIFIED TOLERANCES	



DESIGN	阿树	VIEW:	MODEL TYPE: 1.25mm Crimp Style Connector
CHECKED		UNIT: mm/in	PART NO.: X1256WRS-XX-LPSN
APPROVED		SIZE: A4	DWG NO.: