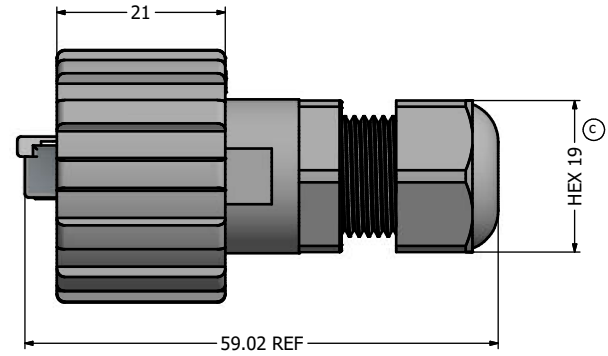
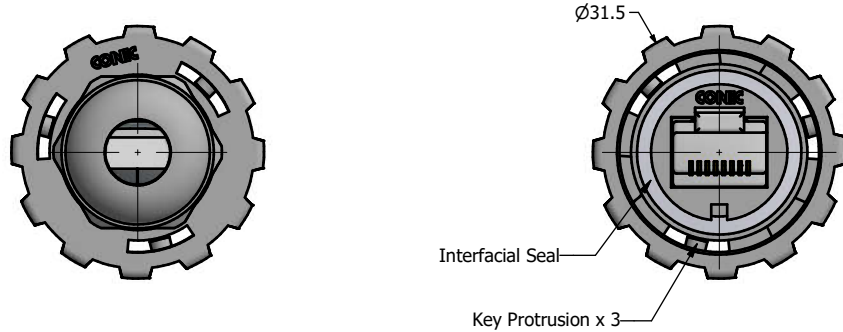
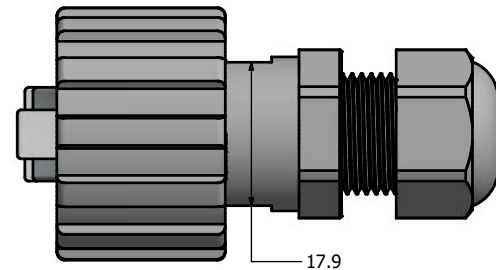
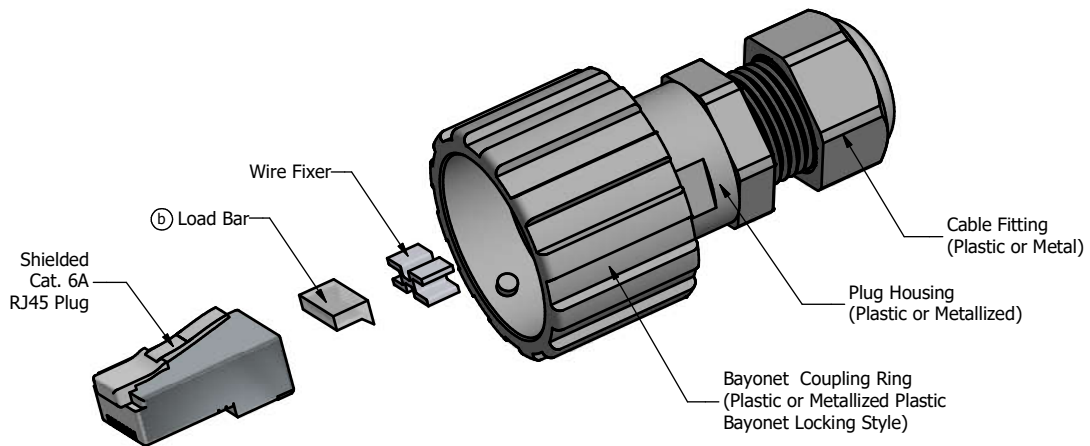


6 5 4 3 2 1



Notes:

1. Electrical Specifications:
 - Meets EIA/TIA-568-B.2-10 Cat.6A Channel Specification
 - Contact Resistance: 20mOhm max.
 - Insulation Resistance: 500MOhm min. @ 100 VDC
 - Current Rating: 1.2A max. at 25°C
 - Working Voltage: 100 VDC
 - DWV: 1000 VDC/60s Contact to Contact, 1500 VDC/60s Contact to Metal Shell
 - Operating Temperature: -40°C to +85°C
2. Material and Finish:
 - Bayonet Coupling Ring and Housing: Polyester (Black) or Metallized ABS, UL94 V-0 (Nickel Plated)
 - Interfacial Seal: Silicone, Color: White
 - Cable Fitting: PA (Black), UL94 V-0 or Brass, Nickel Plated
 - Cable Fitting Rubber Ring: NBR, Color: Black
 - Cat.6A RJ45 Plug Metal Shell: Copper Alloy, Nickel Plated
 - Cat.6A RJ45 Plug Plastic Housing: Clear Polycarbonate UL94 V-2
 - Cat.6A RJ45 Plug Contacts: Phosphor Bronze, Finish: 50u" Gold min. over Nickel
3. Cat.6A RJ45 Plug accepts both Stranded and Solid Cables with Outer Diameter of 4.83mm to 6.73mm
4. Plastic Version Cable Fitting accepts Cable Outer Diameter Range of 4mm to 8mm
5. Metal Version Cable Gland accepts Cable Outer Diameter Range of 4.5mm to 8mm
6. IP67 rated when fully mated with the appropriate mating connector

RoHS Compliant

Version	Part Number
Plastic Version	17-150234
Metallized Plastic Version	17-150244

THIS DRAWING MAY NOT BE COPIED OR REPRODUCED WITHOUT THE WRITTEN PERMISSION OF CONEC CORPORATION. OWNERSHIP AND COPYRIGHT OF CONEC CORPORATION.	Customer:			Tolerance Unless otherwise specified 0 PLC ±0.50 1 PLC ±0.38 2 PLC ±0.25 3 PLC ±0.10 ANGLES ±.3°		Scale: 1.5:1	Dim. in mm
	Name	Title	Approval Date			Material: See Notes	
				2011	Date	Name	Title: RJ45 Plug Kit with shielded Cat. 6A RJ45 Plug Plastic or Metallized Plastic Version
				Draw.	Jul. 06	Vincent Ke	
				Appd.	Jul. 06	J. Chaudry	
				Norm			Drawing No.: 17K1A268
			D-old			Part No.: SEE PART NUMBER ABOVE	Sheet 1/1
	c	1 x c	Jun/23/2014	Vincent Ke			
	b	1 x b	May/01/2013	Vincent ke			
	a	original					
	Rev	Changes	Date	Name			

6 5 4 3 2 1