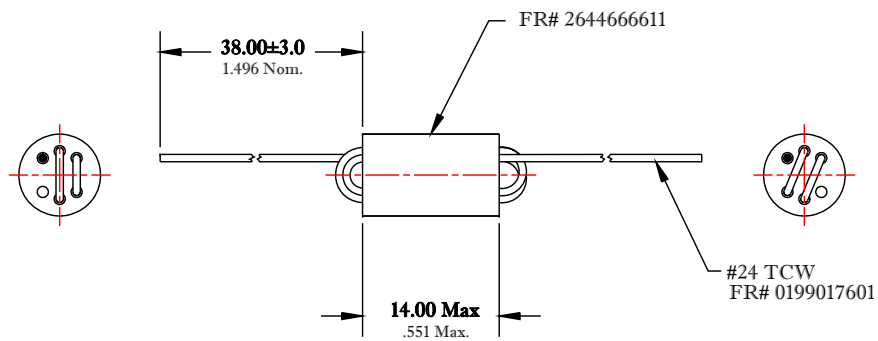


\*\* Not all features are shown in this drawing. For more detailed information, please contact your Fair-Rite representative.

UNCONTROLLED ~CATALOG~ DRAWING

SIZE	PART NO.	REV.
B	2944666671	~



DIMENSIONS  
**BOLD NUMBERS ARE IN MILLIMETERS**  
 LIGHT NUMBERS ARE IN INCHES

ELECTRICAL SPECIFICATIONS

IMPEDANCE (OHMS)		
10 MHz	50 MHz	100 MHz
300 Min.	750 Min.	820 Min.

LEAD LENGTHS TRIMMED TO 1/2" FROM CORE  
 TESTED WITH 2-1/2 TURNS #24 AWG

NOTES:

- 1 - CHIPS, CRACKS, AND APPREARANCE TO MEET FAIR-RITE VISUAL INSPECTION CRITERIA FOR GENERIC MULTI-HOLE WOUND BEADS.
- 2 - IMPEDANCE MEASURED ON AN E4991A USING A 16092A TEST FIXTURE.
- 3 - WIRE MEETS SOLDERABILITY SPECIFICATION WHEN TESTED PER SOP# ELC-57.
- 4 - PART MEETS FAIR-RITE PRODUCTS CORP. SOP# ELC-55, FOR THERMAL SHOCK RESISTANCE.
- 5 - WIRE LOOPS SHOULD BE UNIFORM IN LENGTH.
- 6 - PACKAGING: THIS PART IS BULK PACKED.

FR# 44

FAIR-RITE PRODUCTS CORP.				
TITLE				
WOUND BEAD				
DRAWN BY	DATE	SIZE	PART NO.	REV.
D. FOOTE	9/30/2019	B	2944666671	~
CHKD BY				
APPRVD BY		SCALE: NONE	SHEET 1 OF 1	