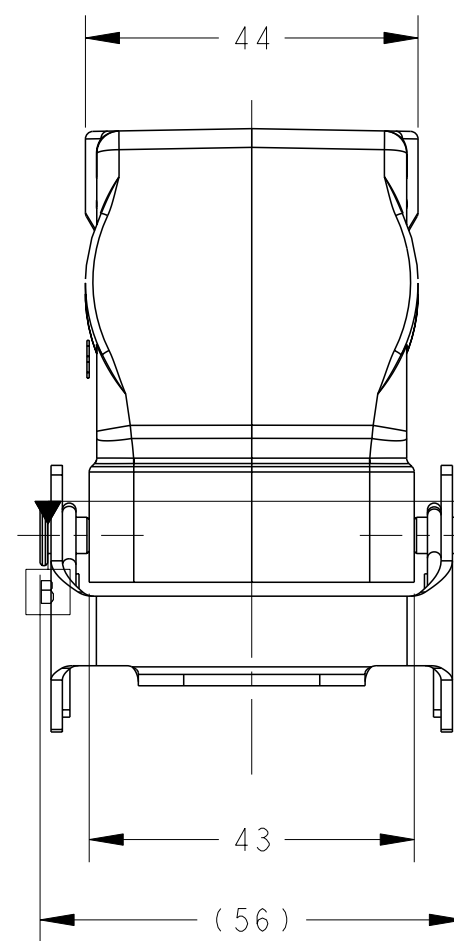
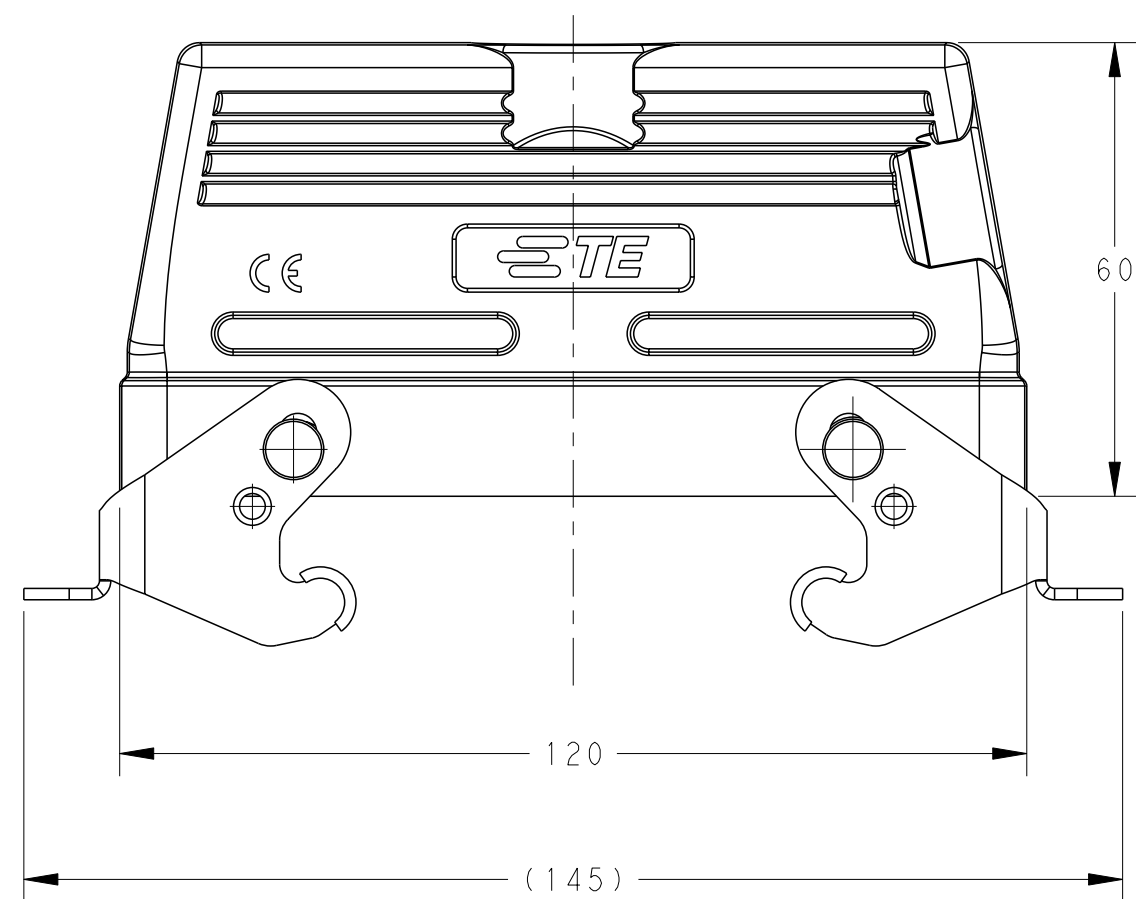


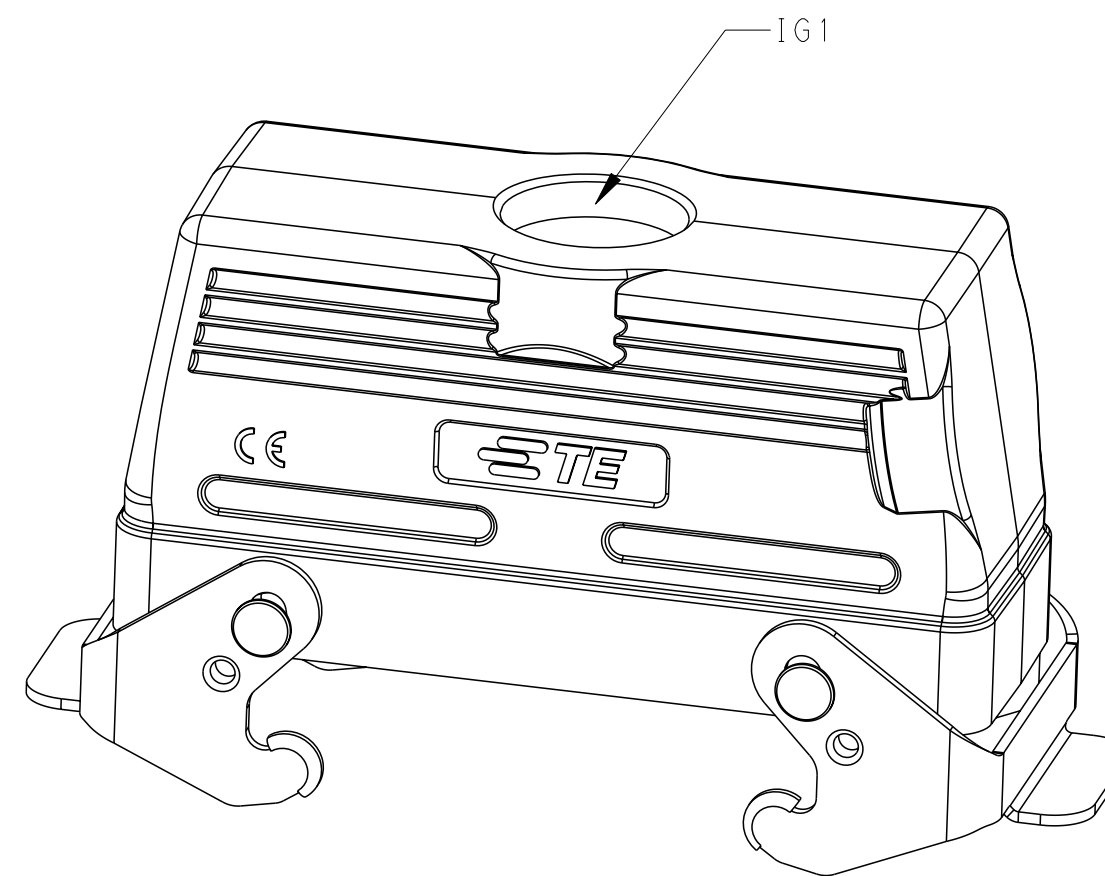
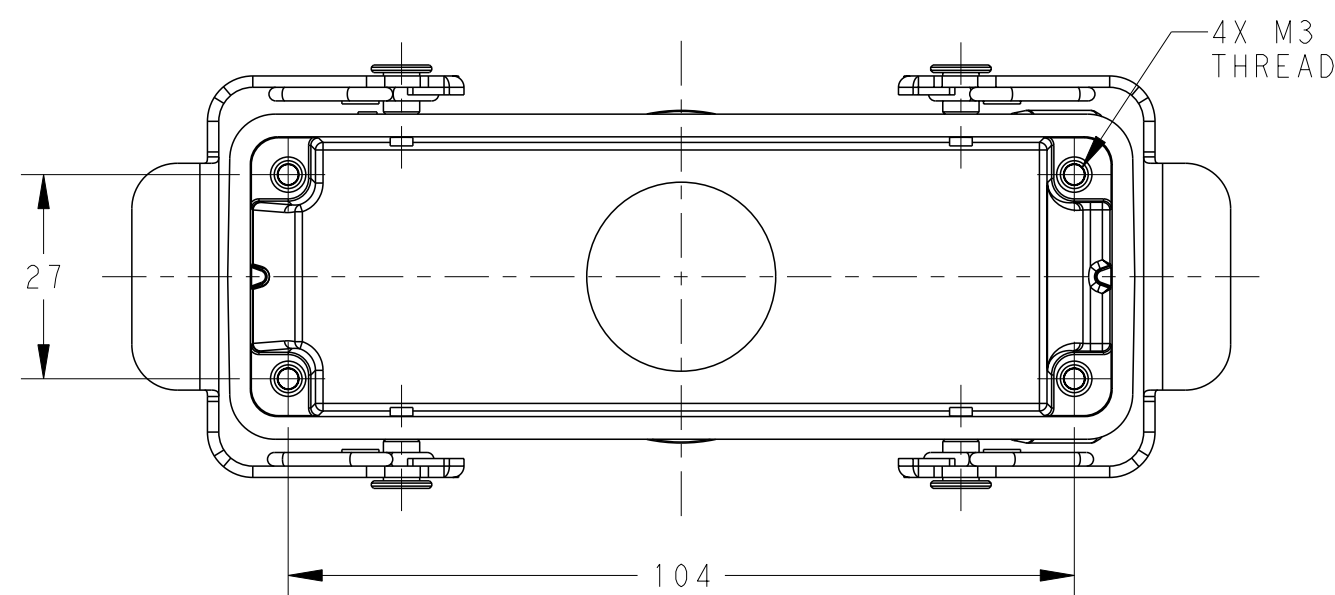
THIS DRAWING IS UNPUBLISHED. RELEASED FOR PUBLICATION 20
 © COPYRIGHT 20 BY - ALL RIGHTS RESERVED.

REVISIONS					
P	LTR	DESCRIPTION	DATE	DWN	APVD
A		INITIAL	29MAY2015	DW	CW
B		ECR-20-014876	10NOV2020	WQR	CW



NOTES:
 1. TECHNICAL CHARACTERISTICS:
 HOOD MATERIAL: DIE CAST ALUMINIUM ALLOY
 SURFACE: POWDER COATED, RED
 DEGREE OF PROTECTION: IP65 (MATED)

注释:
 1. 技术参数:
 上壳材料: 铝合金
 表面处理: 粉末涂层, 红色
 防护等级: IP65(配合)



T1263242121-000	H24B-TGB-PG21 RED COATING	PG21
PART NUMBER	DESCRIPTION	IG1

THIS DRAWING IS A CONTROLLED DOCUMENT.		DWN 29MAY2015 David Wang	STE TE Connectivity		
DIMENSIONS: mm		CHK 29MAY2015 Chris Wang			
TOLERANCES UNLESS OTHERWISE SPECIFIED:		APVD 29MAY2015 Xiang Xu	PRODUCT SPEC 108-137013		
0 PLC ±		APPLICATION SPEC 114-137013	SIZE	CAGE CODE	DRAWING NO
1 PLC ±		WEIGHT -	A200779		RESTRICTED TO -
2 PLC ±		Customer Drawing	C-T1263242121000		SCALE 1:1
3 PLC ±			SHEET 1 OF 1		REV B
4 PLC ±					
ANGLES ±					
FINISH -					

Printed on 13 Jul 2021 11:51 (China Standard Time) from IE343646