

# VS-IP67-IP20-94F-LI/6,5 - Network cable



1400836

<https://www.phoenixcontact.com/us/products/1400836>

Please be informed that the data shown in this PDF document is generated from our online catalog. Please find the complete data in the user documentation. Our general terms of use for downloads are valid.



Assembled Ethernet cable, CAT6, shielded, 4-pair, AWG 26 stranded (7-wire), RAL 5021 (water blue), RJ45 connector/IP67, gray on RJ45 connector/IP20, line, length 6.5 m

## Commercial data

Item number	1400836
Packing unit	1 pc
Minimum order quantity	50 pc
Note	Made to order (non-returnable)
Product key	ABNABF
GTIN	4046356508216
Weight per piece (including packing)	325.2 g
Weight per piece (excluding packing)	312.046 g
Country of origin	PL

# VS-IP67-IP20-94F-LI/6,5 - Network cable



1400836

<https://www.phoenixcontact.com/us/products/1400836>

## Technical data

### Product properties

Product type	Data cable preassembled
Sensor type	Ethernet
Number of positions	8
No. of cable outlets	1
Number of slots	1
Shielded	yes
Cable outlet	straight

### Insulation characteristics

Degree of pollution	2
---------------------	---

### Signaling

Status display	No
----------------	----

### Electrical properties

Transmission medium	Copper
Transmission characteristics (category)	CAT6
Transmission speed	10 Gbps

### Mechanical properties

#### Mechanical data

Insertion/withdrawal cycles	≥ 750
-----------------------------	-------

### Material specifications

Flammability rating according to UL 94	V2
----------------------------------------	----

### Connector

#### Connection 1

Type	Plug straight RJ45
Degree of protection	IP67

#### Connection 2

Type	Plug straight RJ45
Degree of protection	IP20

### Cable/line

Cable length	6.50 m
--------------	--------


Ethernet 10 Gbit [94F]

# VS-IP67-IP20-94F-LI/6,5 - Network cable



1400836

<https://www.phoenixcontact.com/us/products/1400836>

Dimensional drawing	
Shielded	yes
UL AWM Style	20963 (80°C/30 V)
Cable weight	42 kg/km
Cable type	Ethernet 10 Gbit
Short symbol	02YSC11Y
Cable type (abbreviation)	94F
Signal type/category	Ethernet CAT6 <sub>A</sub> , 10 Gbps
Cable structure	4x2xAWG26/7; S/FTP
External cable diameter	6.40 mm ±0.2 mm
Outer sheath, material	PUR
External sheath, color	water blue RAL 5021
Thickness, outer sheath	0.65 mm
Conductor material	Bare Cu litz wires
Conductor structure signal line	7x 0.16 mm
AWG signal line	26
Conductor cross section	4x 2x 0.14 mm <sup>2</sup>
Material wire insulation	Foamed PE
Wire diameter incl. insulation	1.04 mm
Single wire, color	white/blue-blue, white/orange-orange, white/green-green, white/brown-brown
Twisted pairs	2 cores to the pair
Type of pair shielding	Aluminum-lined foil
Overall twist	4 pairs for core
Shielding	Tinned copper braided shield
Optical shield covering	70 %
Nominal voltage, cable	≤ 100 V
Test voltage Core/Core	700 V (50 Hz, 1 min.)
Test voltage Core/Shield	700.00 V (50 Hz, 1 min.)
Cable insulation resistance	≥ 500 MΩ*km
Wave impedance	100 Ω ±5 Ω (at 100 MHz)
Loop resistance	≤ 290.00 Ω/km
Cable capacity	47 nF/km
Signal runtime	5.13 ns/m
Tensile strength	≤ 100 N
Minimum bending radius, fixed installation	4 x D
Minimum bending radius, flexible installation	8 x D

# VS-IP67-IP20-94F-LI/6,5 - Network cable



1400836

<https://www.phoenixcontact.com/us/products/1400836>

Near end crosstalk attenuation (NEXT)	75.3 dB (with 1 MHz)
	66.3 dB (at 4 MHz)
	61.8 dB (at 8 MHz)
	60.3 dB (at 10 MHz)
	57.2 dB (at 16 MHz)
	55.8 dB (at 20 MHz)
	54.3 dB (at 25 MHz)
	52.8 dB (at 31.25 MHz)
	48.4 dB (at 62.5 MHz)
	45.3 dB (at 100 MHz)
	40.8 dB (at 200 MHz)
	39.3 dB (at 250 MHz)
	38.1 dB (at 300 MHz)
38.1 dB (at 400 MHz)	
38.1 dB (at 500 MHz)	
Power-summated near end crosstalk attenuation (PSNEXT)	72.3 dB (with 1 MHz)
	63.3 dB (at 4 MHz)
	58.8 dB (at 8 MHz)
	57.3 dB (at 10 MHz)
	54.2 dB (at 16 MHz)
	52.8 dB (at 20 MHz)
	51.3 dB (at 25 MHz)
	49.9 dB (at 31.25 MHz)
	45.4 dB (at 62.5 MHz)
	42.3 dB (at 100 MHz)
	37.8 dB (at 200 MHz)
	36.3 dB (at 250 MHz)
	35.1 dB (at 300 MHz)
33.3 dB (at 400 MHz)	
31.8 dB (at 500 MHz)	
Return attenuation (RL)	20 dB (with 1 MHz)
	23 dB (at 4 MHz)
	24.5 dB (at 8 MHz)
	25 dB (at 10 MHz)
	25 dB (at 16 MHz)
	25 dB (at 20 MHz)
	24.2 dB (at 25 MHz)
	23.3 dB (at 31.25 MHz)
	20.7 dB (at 62.5 MHz)
	19 dB (at 100 MHz)
	16.4 dB (at 200 MHz)
	15.6 dB (at 250 MHz)
	15.6 dB (at 300 MHz)
15.6 dB (at 400 MHz)	

# VS-IP67-IP20-94F-LI/6,5 - Network cable



1400836

<https://www.phoenixcontact.com/us/products/1400836>

	15.6 dB (at 500 MHz)
Shield attenuation	≥ 80.00 dB (at 30 ... 100 MHz)
Halogen-free	according to IEC 60754-1
Resistance to oil	in accordance with DIN EN 60811-2-1
Flame resistance	according to IEC 60332-1-2
Ambient temperature (operation)	-20 °C ... 80 °C (Cable, flexible installation)
	-40 °C ... 80 °C (cable, fixed installation)

## Environmental and real-life conditions

### Ambient conditions

Degree of protection	IP20
	IP67
	IP67/IP20
Ambient temperature (operation)	-25 °C ... 60 °C (cable, fixed installation)
	-10 °C ... 50 °C (Cable, flexible installation)

# VS-IP67-IP20-94F-LI/6,5 - Network cable

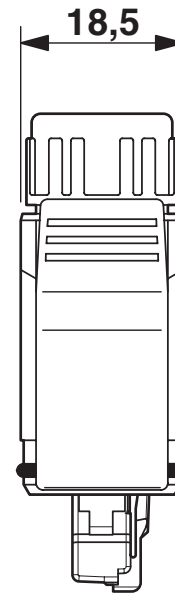
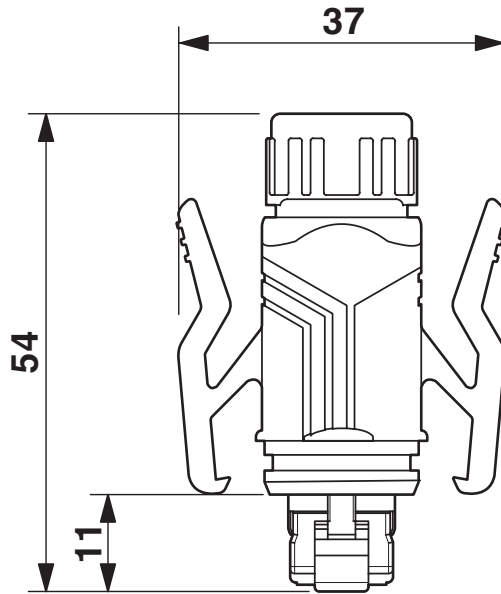


1400836

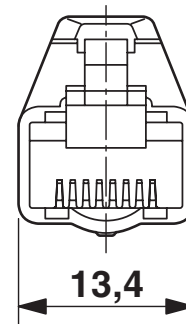
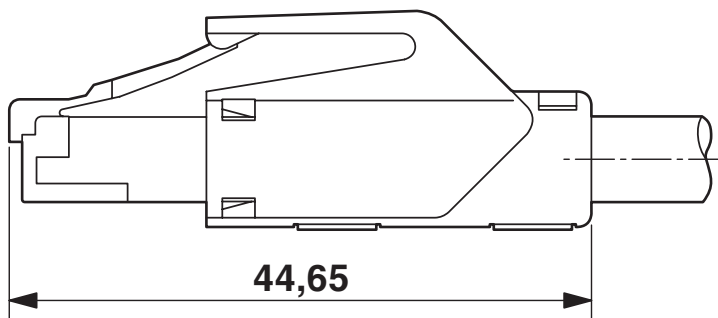
<https://www.phoenixcontact.com/us/products/1400836>

## Drawings

Dimensional drawing



Dimensional drawing



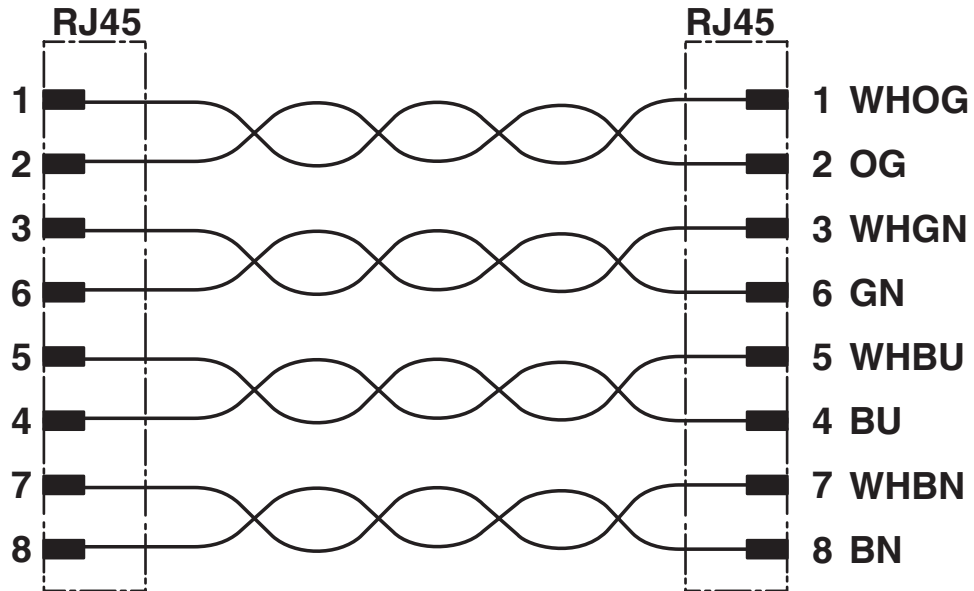
# VS-IP67-IP20-94F-LI/6,5 - Network cable



1400836

<https://www.phoenixcontact.com/us/products/1400836>

Circuit diagram



# VS-IP67-IP20-94F-LI/6,5 - Network cable



1400836

<https://www.phoenixcontact.com/us/products/1400836>

## Approvals

To download certificates, visit the product detail page: <https://www.phoenixcontact.com/us/products/1400836>



**EAC**

Approval ID: 19060508



# VS-IP67-IP20-94F-LI/6,5 - Network cable



1400836

<https://www.phoenixcontact.com/us/products/1400836>

## Classifications

### ECLASS

ECLASS-11.0	27060308
ECLASS-12.0	27060308
ECLASS-13.0	27060307

### ETIM

ETIM 9.0	EC002599
----------	----------

### UNSPSC

UNSPSC 21.0	26121600
-------------	----------

# VS-IP67-IP20-94F-LI/6,5 - Network cable



1400836

<https://www.phoenixcontact.com/us/products/1400836>

## Environmental product compliance

### EU RoHS

Fulfills EU RoHS substance requirements	Yes, No exemptions
-----------------------------------------	--------------------

### China RoHS

Environment friendly use period (EFUP)	EFUP-E
	No hazardous substances above the limits

### EU REACH SVHC

REACH candidate substance (CAS No.)	6,6'-di-tert-butyl-2,2'-methylenedi-p-cresol(CAS: 119-47-1)
SCIP	72d405a5-59c0-4fe7-8ee6-eff83b3976bf

Phoenix Contact 2024 © - all rights reserved

<https://www.phoenixcontact.com>

Phoenix Contact USA  
586 Fulling Mill Road  
Middletown, PA 17057, United States  
(+717) 944-1300  
[info@phoenixcon.com](mailto:info@phoenixcon.com)