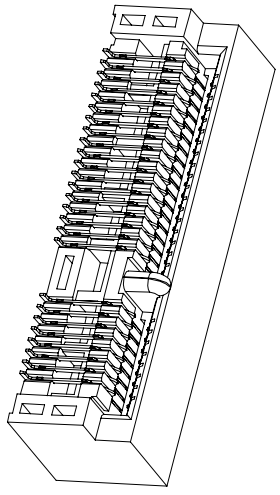
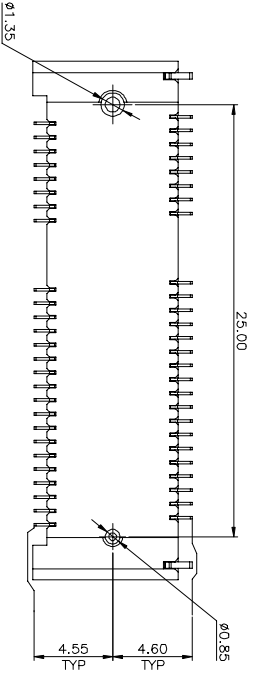
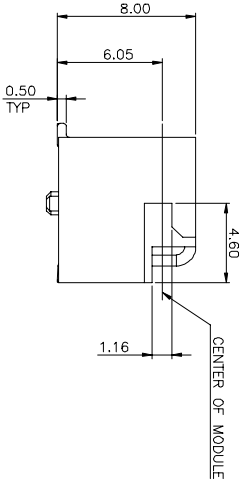
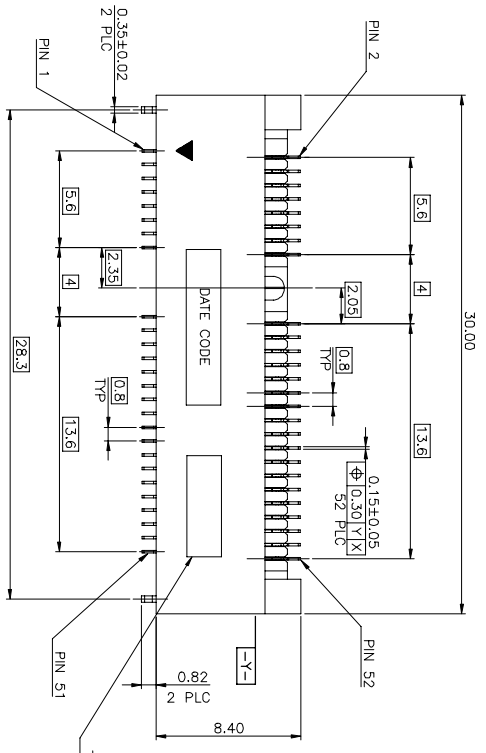
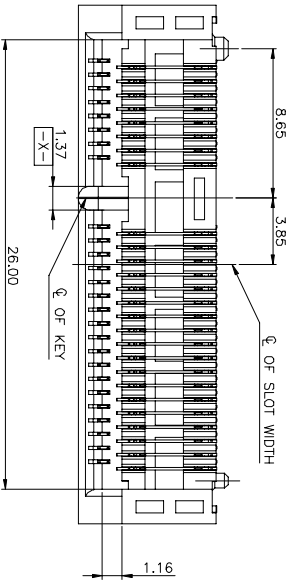


REV#	DATE	BY	APP'D
1	15MAR24	SSM/SPS	

REVISIONS
DESCRIPTION
DRAWING ERROR, NO CHANGE FOR THE TO



- NOTES:
- MATERIAL: LCP WITH 30% GF, UL94 V-0, BLACK COLOR.
HOUSINGS: LCP WITH 30% GF, UL94 V-0, BLACK COLOR.
CONTACTS: PHOSPHOR BRONZE.
PEGS: BRASS.
 - FINISH: CONTACTS: (SEE TABLE) GOLD PLATED ON CONTACT AREA, GOLD FLASH ON SOLDER AREA, WITH ENTIRE CONTACT UNDERPLATED 1.27µm [50µ"] MIN. NICKEL.
PEGS: 3.048µm [120µ"] MIN. MATTE-TIN OVER 1.27µm [50µ"] MIN. NICKEL.
 - REFLOW SOLDER CAPABLE TO 260° PER TEC-109-201, CONDITION B.

PCI-E MINI CARD CONNECTOR SIGNAL ASSIGNMENTS

PIN#	NAME	PIN#	NAME	PIN#	NAME
51	Reserved	52	+3.3Vaux	51	Presence Detection
49	Reserved	50	GND	49	DA/DSS
47	Reserved	48	+1.5V	47	Vendor
45	Reserved	46	LED_WPAN#	45	Vendor
43	GND	44	LED_WLAN#	43	No Connect
41	+3.3Vaux	42	LED_WMAN	41	+3.3V
39	+3.3Vaux	40	GND	39	+3.3V
37	GND	38	USB_D+	37	GND
35	GND	36	USB_D-	35	GND
33	PE1p0	34	GND	33	+A
31	PE1n0	32	SMB_DATA	31	-A
29	GND	30	SMB_CLK	29	GND
27	PERP0	28	+1.5V	27	GND
25	PERP0	26	GND	25	-B
23	PERP0	24	+3.3Vaux	23	+B
21	GND	22	PERST#	21	GND
19	Reserved*	20	W_DISABLE#	19	Reserved
17	(UIM_C08)	18	GND	17	Reserved
MECHANICAL KEY					
15	GND	16	UIM_APP	15	GND
13	REFCLK+	14	UIM_RESET	13	Reserved
11	REFCLK-	12	UIM_CLK	11	Reserved
9	GND	10	UIM_DATA	9	GND
7	CLKREQ#	8	UIM_PWR	7	Reserved
5	COEX2	6	1.5V	5	Reserved
3	COEX1	4	GND	3	Reserved
1	WAKE#	2	3.3Vaux	1	Reserved

* Reserved for future UIM interface (if needed)

THIS DRAWING IS A CONTROLLED DOCUMENT.

DATE: 01NOV2011	BY: S. CHEN	APP'D: KODAMA
REV: 01NOV2011	CHK: S. CHEN	PRODUCT SPEC: 108-99102
DATE: 01NOV2011	CHK: S. CHEN	APPLICATION SPEC: 108-99102
REV: 01NOV2011	CHK: S. CHEN	WEIGHT: 2.28 GRAMS

TE Connectivity

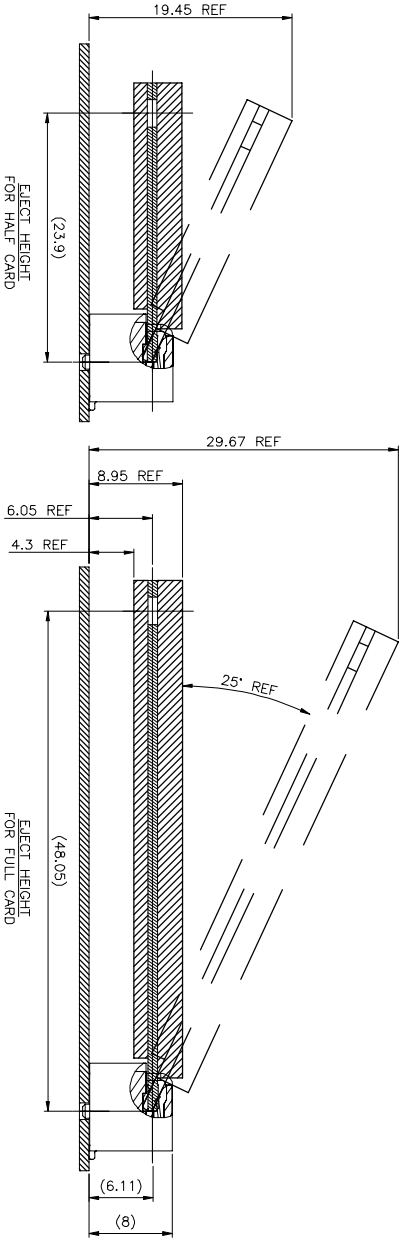
2 IN.1 MSATA & PCI EXPRESS MINI CARD CONNECTOR, 8 MM HEIGHT

SIZE: A2100779

SCALE: 1 OF 5

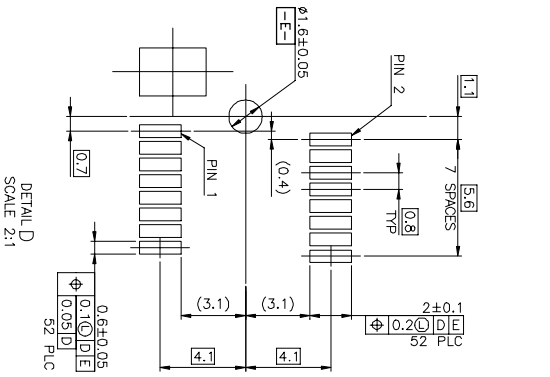
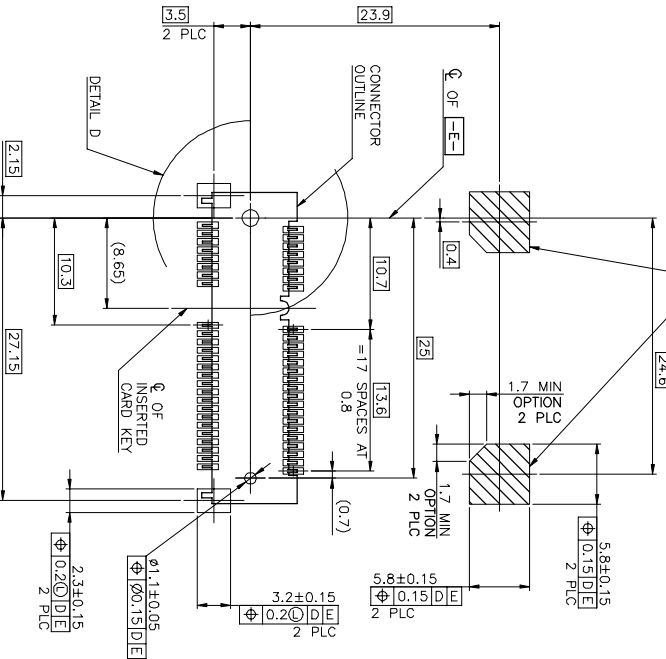
RESTRICTED TO: C1

TYPE II	GOLD FLASH	1759503-2
TYPE I <th>GOLD FLASH</th> <th>1759503-1</th>	GOLD FLASH	1759503-1
PACKING	MINI GOLD THICKNESS	PART NUMBER

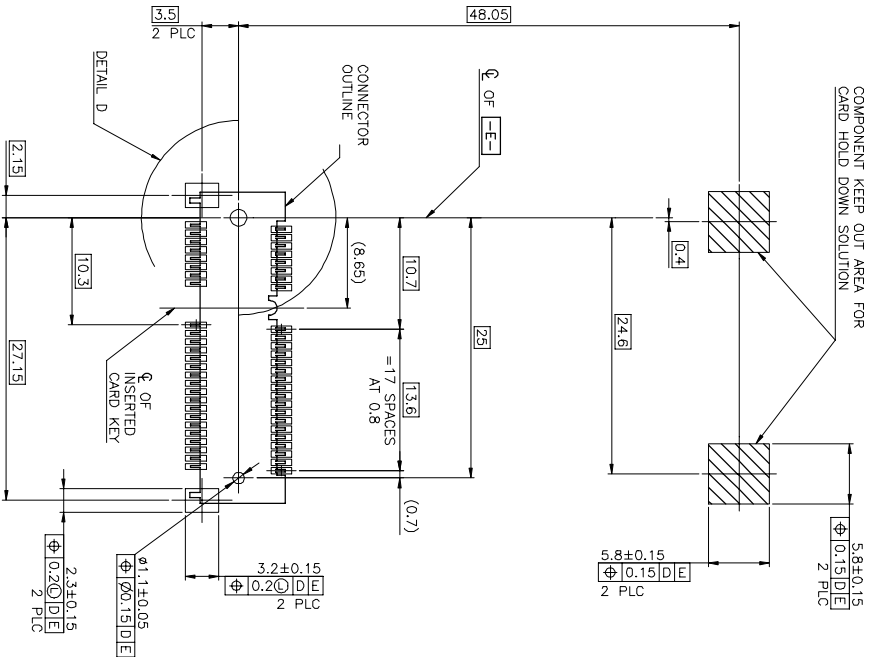


COMPONENT KEEP OUT AREA FOR CARD HOLD DOWN SOLUTION

COMPONENT KEEP OUT AREA FOR CARD HOLD DOWN SOLUTION



DETAIL D
SCALE 2:1



COMPONENT KEEP OUT AREA FOR CARD HOLD DOWN SOLUTION

-D- IS THE TOP SURFACE OF PCB. RECOMMENDED P.C. BOARD PATTERN LAYOUT FOR FULL CARD CONNECTOR (TOP VIEW)

COMPONENT KEEP OUT AREA FOR CARD HOLD DOWN SOLUTION

-D- IS THE TOP SURFACE OF PCB. RECOMMENDED P.C. BOARD PATTERN LAYOUT FOR HALF CARD CONNECTOR (TOP VIEW)

THIS DRAWING IS A CONTROLLED DOCUMENT.

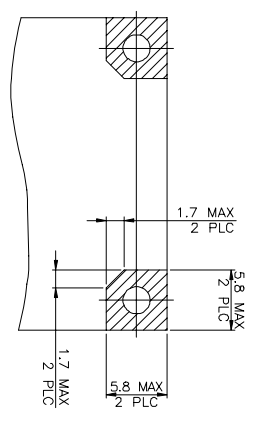
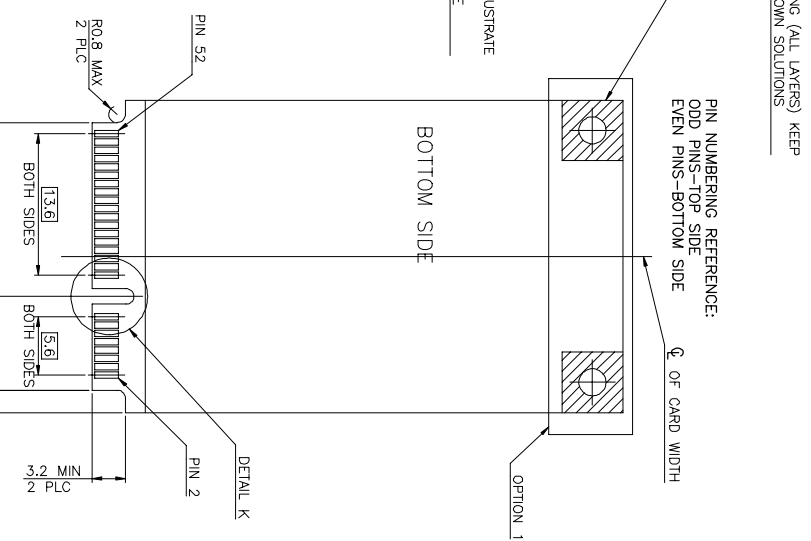
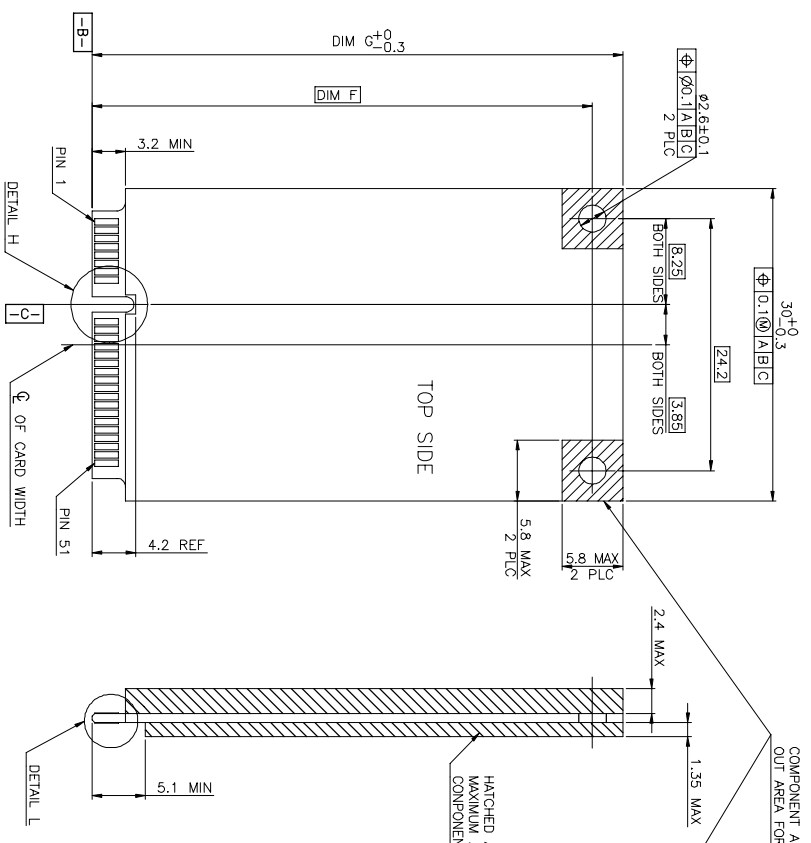
DIMENSIONS:	TOLERANCES UNLESS OTHERWISE SPECIFIED	DWG NO.	DATE
MM	±0.15	1759503	2011
0.15	±0.05	SCALE	2 OF 5
0.20	±0.02		
0.10	±0.01		
0.05	±0.01		

REVISIONS	DESCRIPTION	DATE	BY	APP'D
1				

NAME	TE Connectivity
PRODUCT SPEC	2 IN 1 MSATA & PCI EXPRESS MINI CARD CONNECTOR, 8 MM HEIGHT
APPLICATION SPEC	
SIZE	A2100779
CAGE CODE	1759503
DRAWING NO.	
CUSTOMER DRAWING	

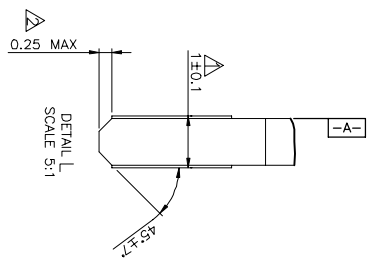
COMPONENT AND ROUTING (ALL LAYERS) KEEP OUT AREA FOR HOLD DOWN SOLUTIONS

PIN NUMBERING REFERENCE:
 ODD PINS--TOP SIDE
 EVEN PINS--BOTTOM SIDE



DIM. F	DIM. G
48.05	50.95
23.9	26.8

FULL-MINI CARD
 HALF-MINI CARD



- NOTES:
- △ CARD THICKNESS APPLIES ACROSS TABS AND INCLUDES PLATING AND/OR METALLIZATION.
 - △ EDGE BEVEL MUST BE PRESENT AND FREE OF CUTTING BURRS FROM PCB AND CONTACT MATERIALS.

FOR PCI EXPRESS MINI CARD

THIS DRAWING IS A CONTROLLED DOCUMENT.

APPROVED	DATE	BY
DESIGNED	DATE	BY
CHECKED	DATE	BY
RELEASED	DATE	BY

TE Connectivity

2 IN. 1 MSATA & PCI EXPRESS MINI CARD CONNECTOR, 8 MM HEIGHT

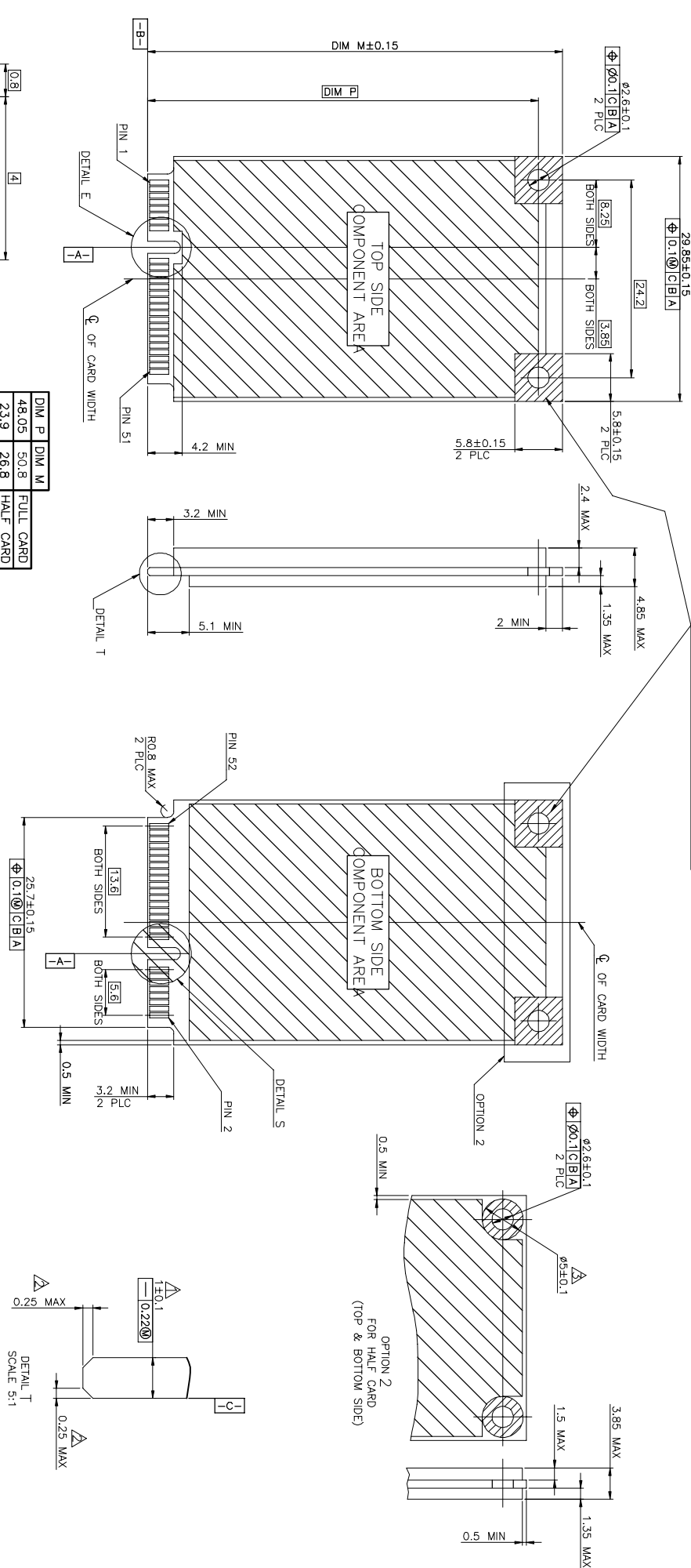
SIZE: A2 00779 © 1759503

RESTRICTED TO CUSTOMER DRAWING

SHEET 3 OF 5

REV C1

COMPONENT AND ROUTING (ALL LAYERS) KEEP OUT AREA FOR HOLD DOWN SOLUTIONS



DIM. P	DIM. M
48.05	50.8
23.9	26.8
	FULL CARD
	HALF CARD

FOR MSATA

- NOTES:
- △ CARD THICKNESS APPLIES ACROSS TABS AND INCLUDES PLATING AND/OR METALLIZATION.
 - △ EDGE BEVEL MUST BE PRESENT AND FREE OF CUTTING BURRS FROM PCB AND CONTACT MATERIALS.
 - △ COMPONENT AND ROUTING (TOP/BOTTOM LAYERS) KEEP OUT AREA FOR HOLD DOWN SOLUTIONS.

THIS DRAWING IS A CONTROLLED DOCUMENT.

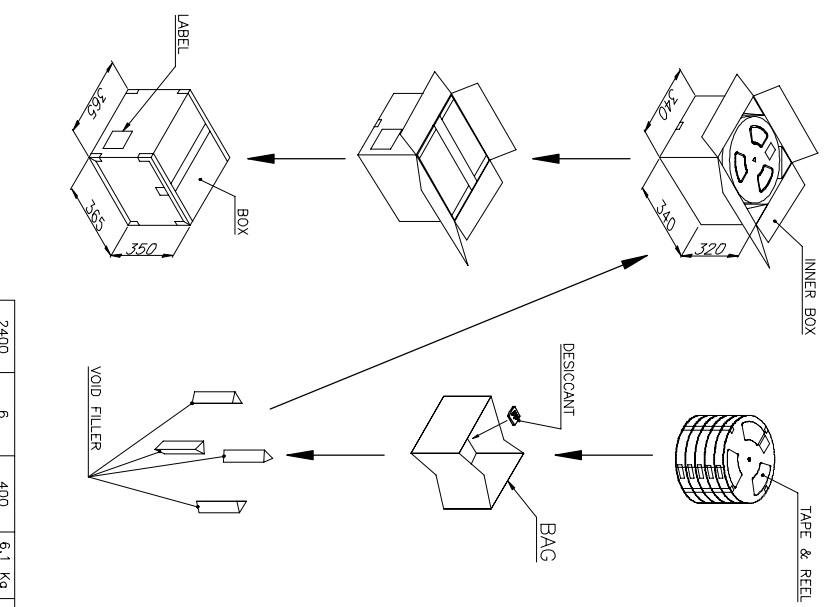
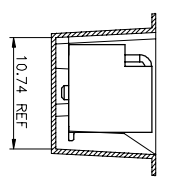
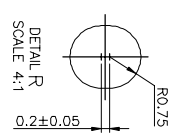
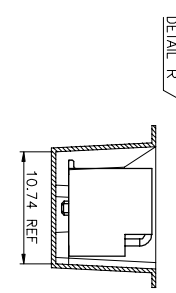
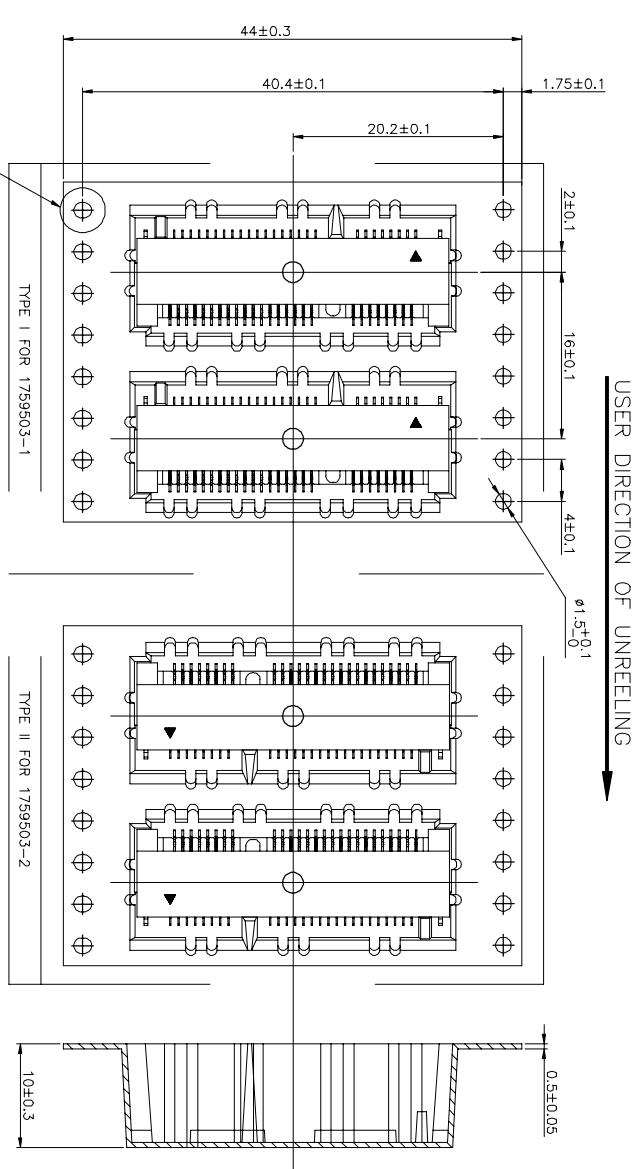
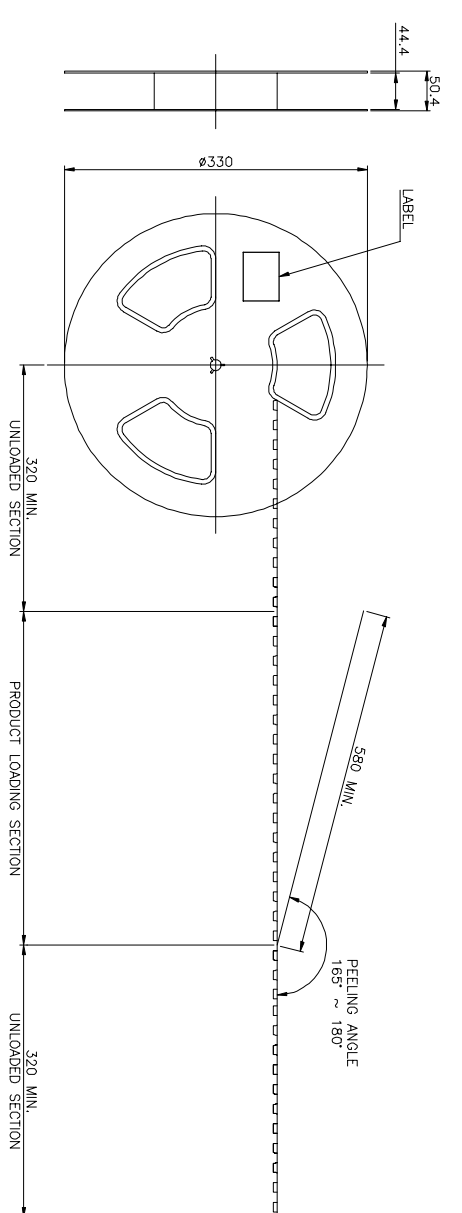
DATE	REV	DESCRIPTION
	1	REVISED TO

TE Connectivity

2 IN 1 MSATA & PCI EXPRESS MINI CARD CONNECTOR, 8 MM HEIGHT

SIZE CODE DRAWING NO. A2100779 © 1759503

SCALE 4 OF 5



- NOTES:
1. MATERIALS:
 BOX: FIBREBOARD, CORRUGATED, DOUBLE WALL.
 COVER TAPE: POLYSTYRENE, TRANSPARENT.
 CARRIER TAPE: POLYSTYRENE, TRANSPARENT.
 REEL: HIPS, BLUE COLOR.
 BAG: POLYETHYLENE, TRANSPARENT.
 2. EACH BAG SHALL BE INCLUDED DESICCANT.
 3. PEELING STRENGTH: 0.1 ~ 1.3 N (10 ~ 130 GRAMS).
 4. PEELING SPEED: 300 mm/min.

THIS DRAWING IS A CONTROLLED DOCUMENT.

DIMENSIONS: MM		TOLERANCES UNLESS OTHERWISE SPECIFIED	
0 R.C.	±	0 R.C.	±
1 R.C.	±	1 R.C.	±
2 R.C.	±	2 R.C.	±
3 R.C.	±	3 R.C.	±
4 R.C.	±	4 R.C.	±
FINISH	±	FINISH	±

APPROVED	DATE	NAME
TE CONNECTIVITY		2 IN 1 MSATA & PCI EXPRESS MINI CARD CONNECTOR, 8 MM HEIGHT
PRODUCT SPEC.	SIZE	CAUSE CODE
APPLICATION SPEC.	A2100779	1759503
REVISIONS	SCALE	SHEET
CUSTOMER DRAWING		5 of 5

PCS/BOX	2400	REELS/BOX	6	PCS/TAPE	400	NET WEIGHT	6.1 Kg	GROSS WEIGHT	11.1 Kg
---------	------	-----------	---	----------	-----	------------	--------	--------------	---------

REV	DATE	DESCRIPTION
1		SEE SHEET 1