

# BSH0401P06A2A

servo motor BSH, Lexium 32, 0.21N.m,  
9000rpm, 40mm, untapped shaft, 16 Sincos  
single turn, without brake, IP50



## Main

Product or Component Type	Servo motor
Device short name	BSH
Maximum mechanical speed	10000 rpm
Continuous stall torque	1.86 Lbf.In (0.21 N.m) LXM32.U60N4 1.5 A, 480 V, three phase 1.86 Lbf.In (0.21 N.m) LXM32.U60N4 1.5 A, 400 V, three phase 1.86 lbf.in (0.21 N.m) LXM32.U45M2 1.5 A, 230 V, single phase
Peak stall torque	7.08 Lbf.In (0.8 N.m) LXM32.U60N4 1.5 A, 480 V, three phase 7.08 Lbf.In (0.8 N.m) LXM32.U60N4 1.5 A, 400 V, three phase 7.08 lbf.in (0.8 N.m) LXM32.U45M2 1.5 A, 230 V, single phase
Nominal output power	166 W LXM32.U60N4 1.5 A, 480 V, three phase 166 W LXM32.U60N4 1.5 A, 400 V, three phase 77 W LXM32.U45M2 1.5 A, 230 V, single phase
Nominal torque	1.56 Lbf.In (0.176 N.m) LXM32.U60N4 1.5 A, 480 V, three phase 1.56 Lbf.In (0.176 N.m) LXM32.U60N4 1.5 A, 400 V, three phase 1.63 lbf.in (0.184 N.m) LXM32.U45M2 1.5 A, 230 V, single phase
Nominal speed	9000 rpm LXM32.U60N4 1.5 A, 480 V, three phase 9000 rpm LXM32.U60N4 1.5 A, 400 V, three phase 4000 rpm LXM32.U45M2 1.5 A, 230 V, single phase
Shaft end	Smooth shaft
IP Degree of Protection	IP50 standard
Speed feedback resolution	32768 points/turn
Holding brake	Without
Mounting Support	International standard flange
Electrical Connection	Rotatable right-angled connectors

## Complementary

Range Compatibility	Lexium 32
Supply voltage max	400 V
Phase	Three phase
Continuous stall current	1.12 A
Maximum continuous power	220 W
Maximum current Irms	4.7 A LXM32.U60N4 480 V 4.7 A LXM32.U60N4 400 V 4.7 A LXM32.U45M2 230 V
Maximum permanent current	1.12 A
Switching frequency	8 kHz
Second shaft	Without second shaft end
Shaft diameter	0.31 in (8 mm)
Shaft length	0.98 in (25 mm)
Feedback type	Single turn SinCos Hiperface

Motor flange size	1.57 in (40 mm)
Number of motor stacks	1
Torque constant	0.19 N.m/A 248 °F (120 °C)
Back emf constant	13.6 V/krpm 68 °F (20 °C)
Number of motor poles	10
Rotor inertia	0.0232 kg.cm <sup>2</sup>
Stator resistance	17.2 Ohm 68 °F (20 °C)
Stator inductance	14.6 mH 68 °F (20 °C)
Stator electrical time constant	0.85 ms 68 °F (20 °C)
Maximum axial force Fa	0.2 x Fr
Type of cooling	Natural convection
Length	2.89 in (73.4 mm)
Centring collar diameter	1.18 in (30 mm)
Centring collar depth	0.10 in (2.5 mm)
Number of mounting holes	4
Mounting holes diameter	0.18 in (4.5 mm)
Circle diameter of the mounting holes	1.81 in (46 mm)
Net Weight	0.88 lb(US) (0.4 kg)

### Ordering and shipping details

Category	US1PC5318282
Discount Schedule	PC53
GTIN	3606485467085
Returnability	No
Country of origin	DE

### Packing Units

Unit Type of Package 1	PCE
Number of Units in Package 1	1
Package 1 Height	4.33 in (11.0 cm)
Package 1 Width	6.69 in (17.0 cm)
Package 1 Length	9.45 in (24.0 cm)
Package 1 Weight	22.12 oz (627.0 g)

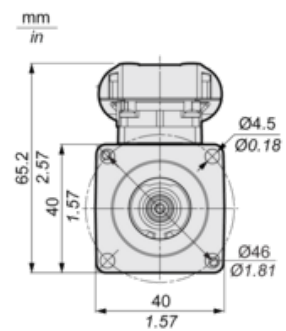
### Offer Sustainability

Sustainable offer status	Green Premium product
California proposition 65	WARNING: This product can expose you to chemicals including: Lead and lead compounds, which is known to the State of California to cause cancer and birth defects or other reproductive harm. For more information go to <a href="http://www.P65Warnings.ca.gov">www.P65Warnings.ca.gov</a>
REACH Regulation	<a href="#">REACH Declaration</a>
EU RoHS Directive	Pro-active compliance (Product out of EU RoHS legal scope)
Mercury free	Yes
China RoHS Regulation	<a href="#">China RoHS Declaration</a>
RoHS exemption information	<a href="#">Yes</a>
Environmental Disclosure	<a href="#">Product Environmental Profile</a>
Circularity Profile	No need of specific recycling operations
WEEE	The product must be disposed on European Union markets following specific waste collection and never end up in rubbish bins.
PVC free	Yes

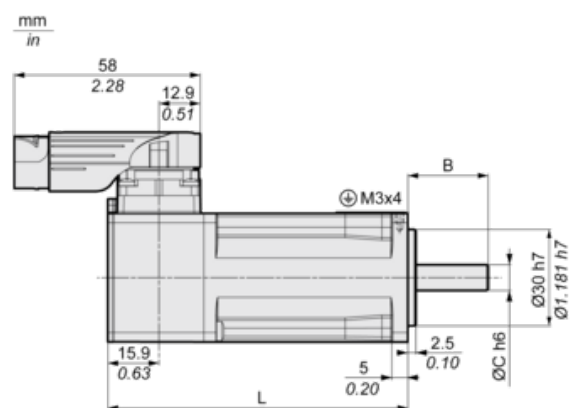
Servo Motors Dimensions

For Servo Motor without Brake

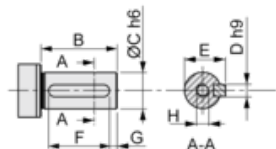
Front view



Left view



DIN 6885 A



	Dimensions in mm	Dimensions in in.
L	73.4	2.89
B	25	0.98
C	8	0.31
D	3	0.12
E	9.2	0.36
F	12	0.47
G	4	0.16
H	DIN 332 DS M3 x 9	
A	DIN 6885-A3x3x12	