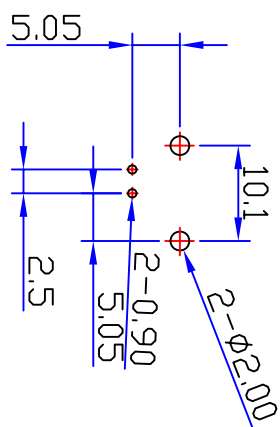
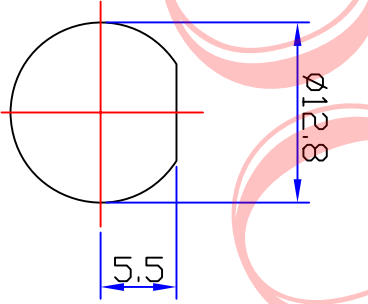
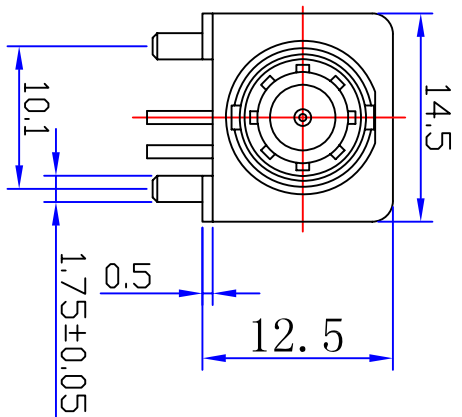
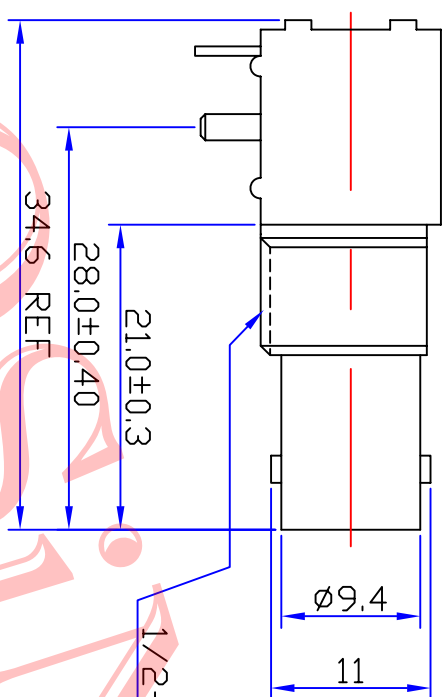
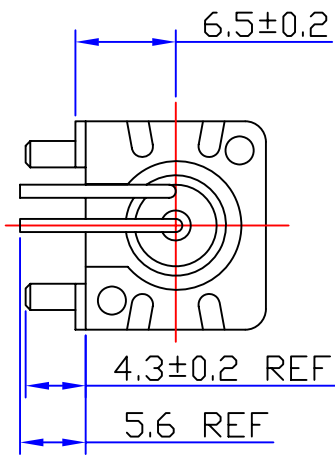




Product NO.		DOSIN-801-0039		
REV	DESCRIPTION	DWN	DATE	APPROVEN
A	First Issue	JIM	2012/11/02	John kine



Specifications

Impedance: 75 Ohms
 Frequency Range: DC~3G
 VSWR: 1.3MAX
 Working Voltage: 500V rms @ sea level
 Insulation Resistance: 5000 Ohms min
 Temperature Range: -55°C T0 +155°C
 Relative Temperature: ≤95% (40°C ±2°C)
 Drawings products are in line with ROHS standards

1	Body	Zinc	NI:80-120u"
2	Center contact	Brass	AU:1u"
3	Lead	Iron	AU:1u"
4	Fixed footrest	Iron	NI:80-120u"
5	Insulator	POM	White
6	Fixed mount	ABS	White
7	Washer	Brass	NI:80-120u"
8	Hex nut	Brass	NI:80-120u"
9			
10			
NO	Component Number	Material	Finish

NOTE:

Tolerance		0-6 6-30 30-120	±0.20 ±0.30 ±0.5
View		Angul ar	±2°
UNIT			MM
SCALE			1:1

Name: BNC WHITE JACK CONNECTOR (12.5MM)
 Dosin Industrial(H.K)Co.Ltd
 东莞市德奈五金电子有限公司
 Dosin Hardware Electronics Co.,Ltd
 E-mail: dosin2005@163.com
 dosin2005@dosing-china.com
 http://www.dosing.com
 Web: TEL: (0086)769-81153906
 FAX: (0086)769-81875836

APPROVALS	DATE	SCALE	UNIT	MM	1:1
John kine	19/04/2012				
CHECKED					
Zelin Zhang	2012/11/10				
DRAWN					

