



THIS DRAWING IS UNPUBLISHED.

RELEASED FOR PUBLICATION

20

© COPYRIGHT 20 BY -


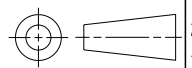
ALL RIGHTS RESERVED.

REVISIONS

P	LTR	DESCRIPTION	DATE	DWN	APVD
		SEE SHEET 1			

C3

CARTON	REEL	TRAY	ASSY P/N	DESCRIPTION	QTY	FINISH/COLOR	MATERIAL	ITEM
DIM 420*346*220mm	-	DIM 320*210*28mm	2326784-4	2.8 SOLDER TAB	2	TIN	BRASS	4
				0.64 SIGNAL PIN	16	TIN	BRASS	3
				0.64 SIGNAL PIN	16	TIN	BRASS	2
				32P HOUSING	1	NATURAL	PA10T GF30	1
DIM 380*380*265mm	DIM 380*380*72mm	-	2326784-3	2.8 SOLDER TAB	2	TIN	BRASS	4
				0.64 SIGNAL PIN	16	TIN	BRASS	3
				0.64 SIGNAL PIN	16	TIN	BRASS	2
				32P HOUSING	1	NATURAL	PA10T GF30	1
DIM 420*346*220mm	-	DIM 330*210*28mm	2326784-2	2.8 SOLDER TAB	2	TIN	BRASS	4
				0.64 SIGNAL PIN	16	TIN	BRASS	3
				0.64 SIGNAL PIN	16	TIN	BRASS	2
				32P HOUSING	1	NATURAL	PA10T GF30	1
DIM 380*280*275mm	-	DIM 375*275*35mm	2326784-1	2.8 SOLDER TAB	2	TIN	BRASS	4
				0.64 SIGNAL PIN	16	TIN	BRASS	3
				0.64 SIGNAL PIN	16	TIN	BRASS	2
				32P HOUSING	1	NATURAL	PA10T GF30	1

THIS DRAWING IS A CONTROLLED DOCUMENT.		DWN J. YIN 19SEP2017	 TE Connectivity NAME 025 SERIES 32 POS 90 DGR PIP HEADER CONNECTOR	
DIMENSIONS: mm		CHK W. WU 30OCT2017		
		APVD I. YIN 31OCT2017		
TOLERANCES UNLESS OTHERWISE SPECIFIED: ±0.3		PRODUCT SPEC -		
MATERIAL SEE TABLE		APPLICATION SPEC -	SIZE A3	CAGE CODE 00779
FINISH -		WEIGHT -	DRAWING NO C-2326784	RESTRICTED TO
CUSTOMER DRAWING			SCALE 2:1	SHEET 2 OF 2
			REV C3	

Printed on 7 Apr 2021 09:44 (China Standard Time) From TE375692