

# 規格承認書

PECIFICATION FOR APPROVAL

客戶

CUSTOMER : 立創

項目

ITEM : 喇叭 铁壳内磁

型號

TYPE : GSPK32055TN-8R1W

描述

DESCRIPTION :  $\Phi 32 \times 5.5$  MM 铁壳内磁 8 $\Omega$  1.0W

客戶料號

CUSTOMER NO. :

規格書號

SPECIFICATION NO.:

版本

EDITION NO. : V1.0

日期

DATE : 2022-6-13

## 客戶承認

### CUSTOMER CONFIRM AND SIGN

檢查 TESTED BY	審核 CHECKED BY	承認 APPROVED BY

## 東莞市贏海電子有限公司

### DONGUAN INGHAI ELECTRONICS CO.,LTD

製作 ISSUED BY	審查 CHECKED BY	確認 APPROVED BY
周明	李勇	

地址：廣東省東莞市長安鎮上沙管理區北橫路8號

電話 / TEL: 0769-83060958 傳真 / FAX: 0769-81608993

網址: HTTP://WWW.INGHAI.COM

**SPECIFICATION**

PRODUCT TYPE : DUAL MODE DYNAMIC SPEAKER/RECEIVER FOR TELEPHONE

MODEL : GSPK32055TN

PART NUMBER : GSPK32055TN-8R1W

**1. TYPE****Dual mode dynamic speaker unit :**

Dynamic speaker with loudspeaker function for cellular phone

**2. ELECTRICAL CHARACTERISTICS****2-1. INSPECTION CONDITIONS**

**OPERATING TEMPERATURE RANGE** : -20°~50℃

**STORAGE TEMPERATURE RANGE** : -30°~80℃

**RELATIVE TEMPERATURE RANGE** : 65±20%

**2-2. SPEAKER MODE****2-2-1.RESONANCE FREQUENCY (Fo)**

450±20%Hz @ 1V. (Without Baffler)

**2-2-2. VOICE COIL IMPEDANCE**

8Ohm ± 15% at 2KHz.

**2-2-3. SENSITIVITY**

91±3dB at(0.8,1.0,1.5,2.0kHz average.) (0dB SPL=20μPa)

TEST METHOD:0.1W (Sine wave) 0.1m measured with baffler shown in Fig.1.

Input voltage : 632 mVrms.

**2-2-4.FREQUENCY RESPONSE** :show in figure 2.

**2-2-5. S/N RATIO** : 50 dB minimum (A-Curve at 1 kHz.,1 Pa)

**2-2-6. RATED INPUT POWER** : 1.0 W

**2-2-7. MAX INPUT POWER** : 1.5 W

**2-2-8. BUZZ SOUND** : The input power shall be set at rated noise power(0.5W). Using an audio oscillator sweep from 300 to 1500HZ in free air. There shall be no buzzes,rattles,nor spurious noises.

**2-2-9. THD** :less than 10% at 1kHz ,with 0.1W.

**3. MECHANICAL ITEMS /DIMENSION**

See product drawing in figure 3

All dimensions & parameters mark on drawing. Shall be controlled by SPC

**4. WEIGHT** : 8.0±0.5g.

**5. LOAD TEST** : Sweep 300-1500 Hz, 2s/sweep 2.0 Vrms. (0.5W), 4 days.

After test sensitivity and frequency response max variation : ± 3 dB.

APPROVED:HUANG

CHECKED:wang

PREPARED:liu

DATE : 2017.12.06

DATE : 2017.12.06

DATE : 2017.12.06

Rev No : A

RD-003

**SPECIFICATION**

PRODUCT TYPE : DUAL MODE DYNAMIC SPEAKER/RECEIVER FOR TELEPHONE

MODEL : GSPK32055TN

PART NUMBER : GSPK32055TN-8R1W

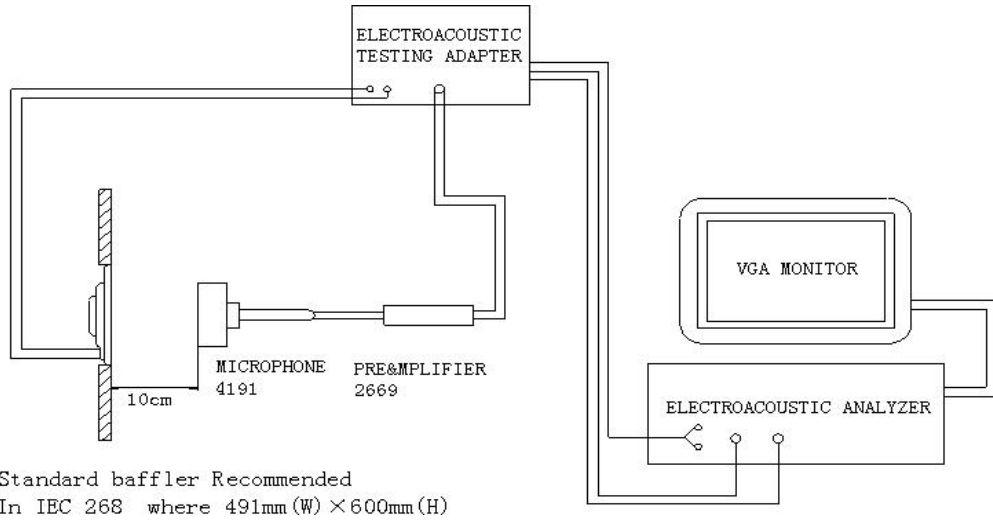


Figure 1

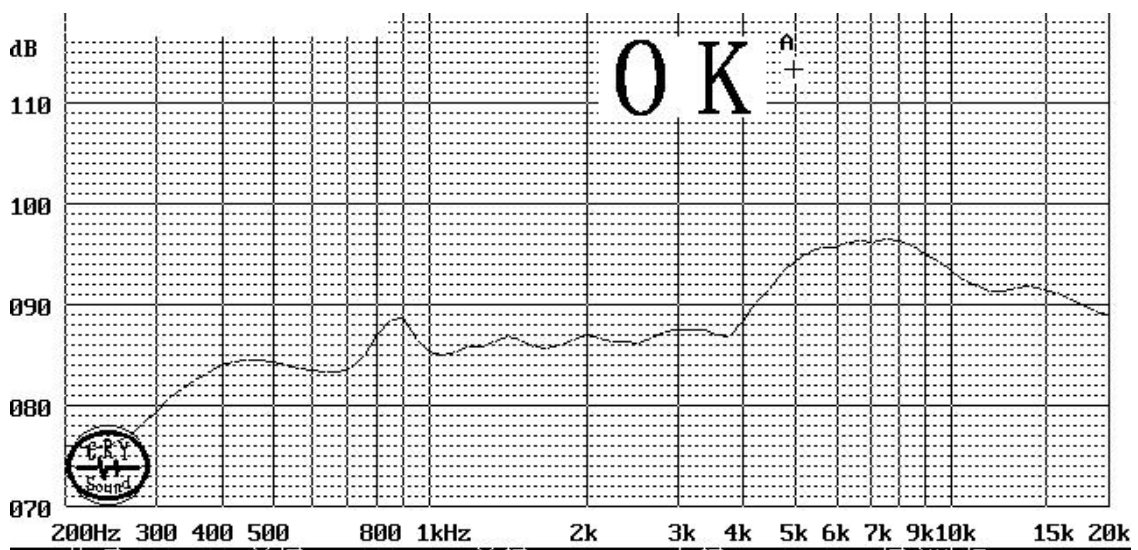


Figure 2

APPROVED:HUANG

CHECKED:wang

PREPARED:liu

DATE : 2017.12.06

DATE : 2017.12.06

DATE : 2017.12.06

Rev No : A

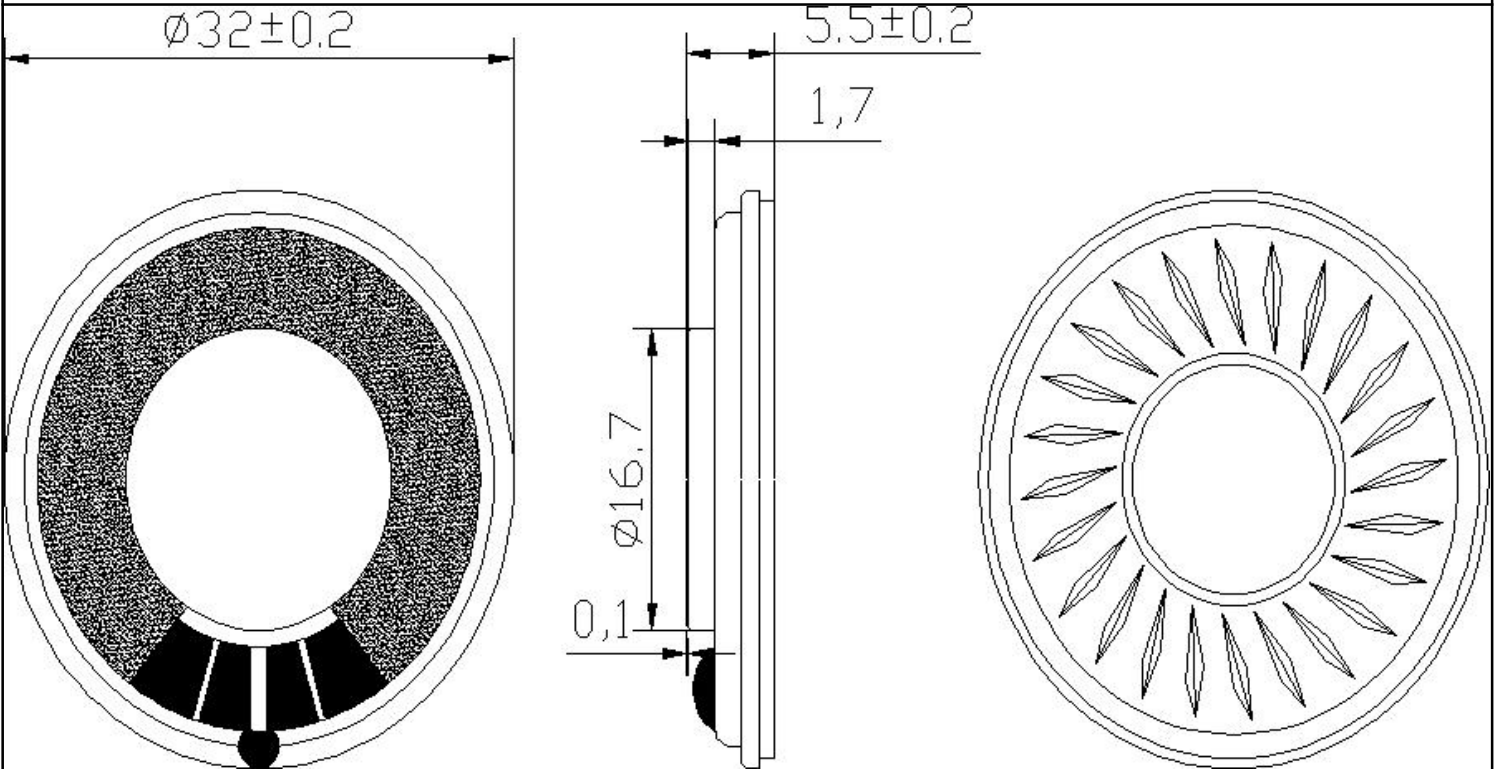
RD-003

**SPECIFICATION**

PRODUCT TYPE : DUAL MODE DYNAMIC SPEAKER/RECEIVER FOR TELEPHONE

MODEL : GSPK32055TN

PART NUMBER : GSPK32055TN-8R1W

**Figure 3 Mechanical Layout and Dimensions**Tolerance general unless otherwise noted:  $\pm 0.2\text{mm}$ 

PART NO.	PART NAME	QTY	MATERIAL	REMARK
1	Front cover	1	ABS	
2	Diaphragm	1	PEN	
3	Voice coil	1	HTW-FY3	
4	Polarpiece	2	SPCC	
5	Magnet	2	NdFeB	
6	Under Yoke	1	SPCC	
7	PCB	1	0.4t	
8	Front gasket	1	PORON	
9				
10	Dust proof screen	2	CLOTH	
11	YOKE	1	ABS	

APPROVED:HUANG

CHECKED:wang

PREPARED:liu

DATE : 2017.12.06

DATE : 2017.12.06

DATE : 2017.12.06

Rev No : A

RD-003

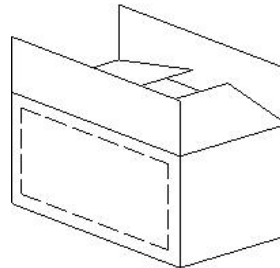
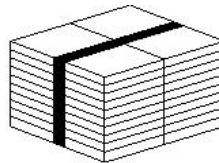
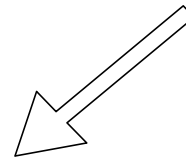
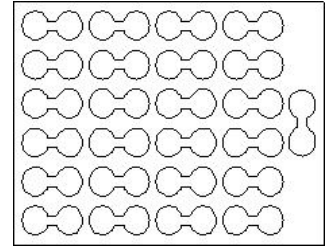
**SPECIFICATION**

PRODUCT TYPE : DUAL MODE DYNAMIC SPEAKER/RECEIVER FOR TELEPHONE

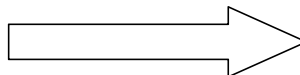
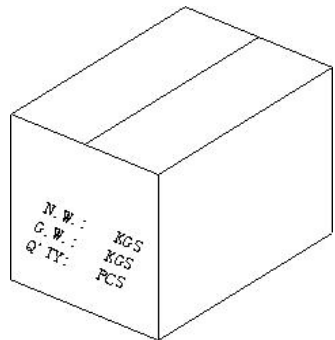
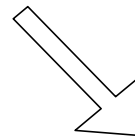
MODEL : GSPK32055TN

PART NUMBER : GSPK32055TN-8R1W

**Packing List**



- 1. 100 pcs of speaker in each tray;
- 2. 40 trays in one paper box;
- 3. Absorbers are applied as shown.



DYNAMIC SPEAKER WITH WIRE  
 TYPE: GSPK32055TN-8R1W  
 QUANTITY: 2000PCS  
 GROSS WT: 12.5KG  
 NET WT: 10.5KG  
 VOLUME: 46×36×26CM

Figure 4

APPROVED: **HUANG**

CHECKED: **wang**

PREPARED: **liu**

DATE : 2017.12.06

DATE : 2017.12.06

DATE : 2017.12.06

Rev No : A

RD-003