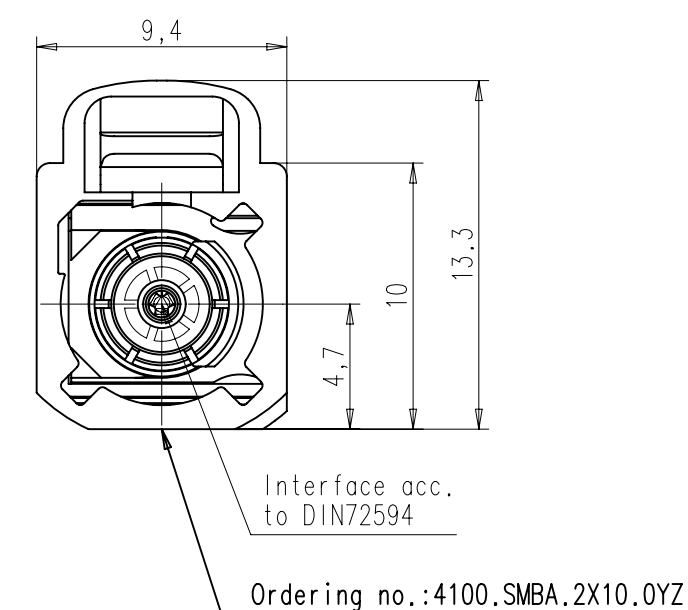


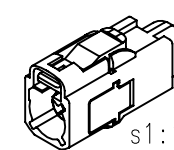
View with inserted SMBA connector



Assembly Instruction: see table  
Stripping dimensions: see table

Variable X and Y have to be stated within the drawing number when a order is placed

		general tolerance	ISO 2768	scale: 4:1	Assembly Instruction: Stripping dimensions: see table
		ISO 2768	-m 0,5-3: ±0,1 3-6: ±0,1 6-30: ±0,2		
		date	name		<b>Kabelkuppler</b> Cable jack
		generate	24.08.06	Renz	
		checked			4100.SMBA.2X10.0Y9
		Norm	047814		
EC-122-11	c	PBT was PA	14.10.11	ekl	
design	b	coding Z add	07.09.10	ekl	
design	a	Ueberarbeitung	14.09.07	Renz	
nr.	rev	alteration	date	name	



Y Variable	Cable type	Assembly Instruction
2	RG-174	M-191
3	LL3.2	M-192

Variable X = Coding

coding X=	A	B	C	D
front view				
colour	deep black	cream white	signal blue	bordeaux violett
coding X=	E	F	G	H
front view				
colour	leaf green	nut brown	blue grey	heather violet
coding X=	I	K	L	M
front view				
colour	beige	curry yellow	carmine red	pastel orange
coding X=	N			Z
front view				
colour	pastel green			water blue

Variable Z = Plating

Part	Material	Variable Z =		
		1	5	9
Plastic Housing	PBT			
Centre Socket	bronze			Au
Outer Contact	brass			Ni
Insulator	PE			
Crimp ferrule	brass copper			Ni