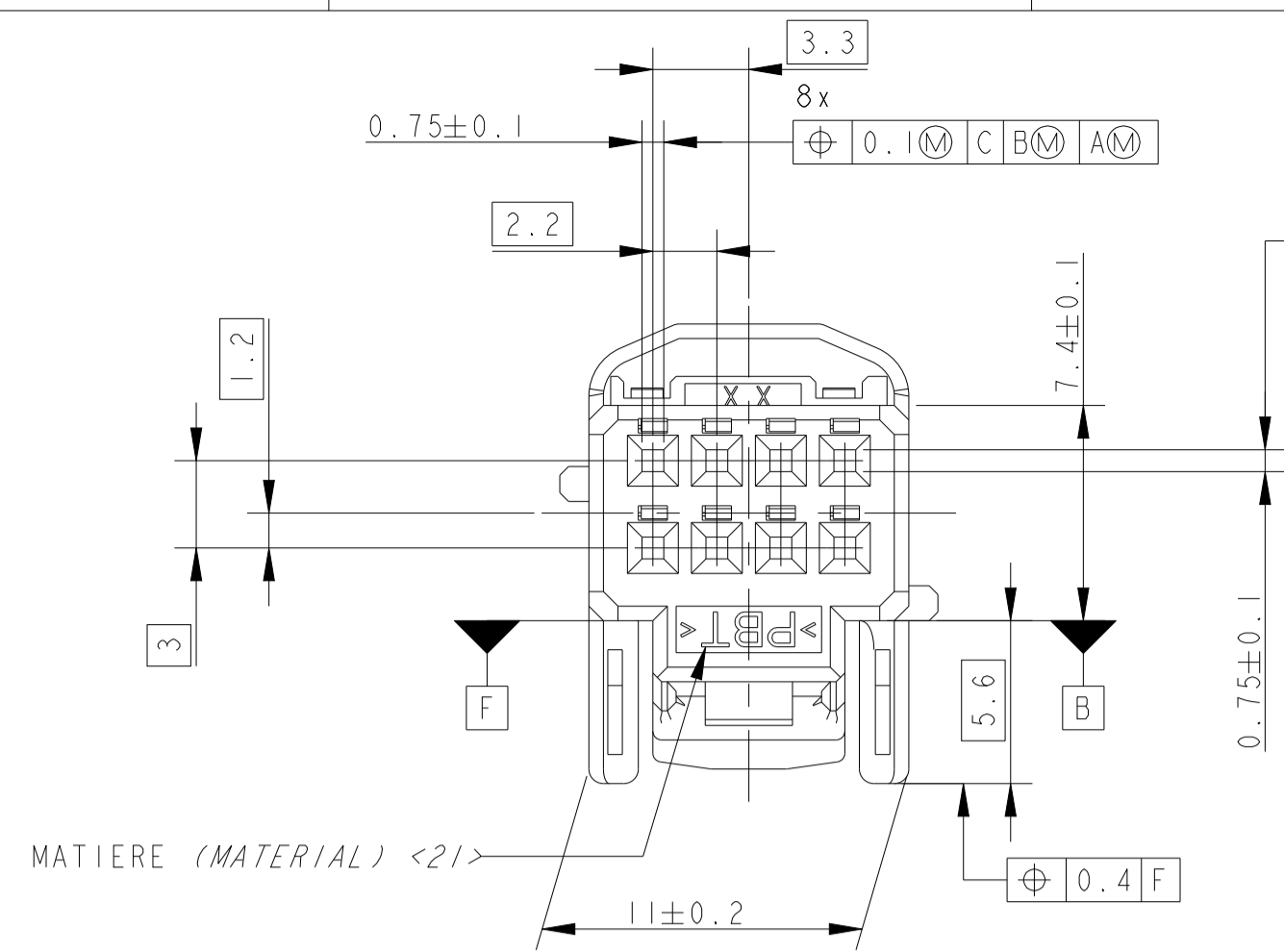
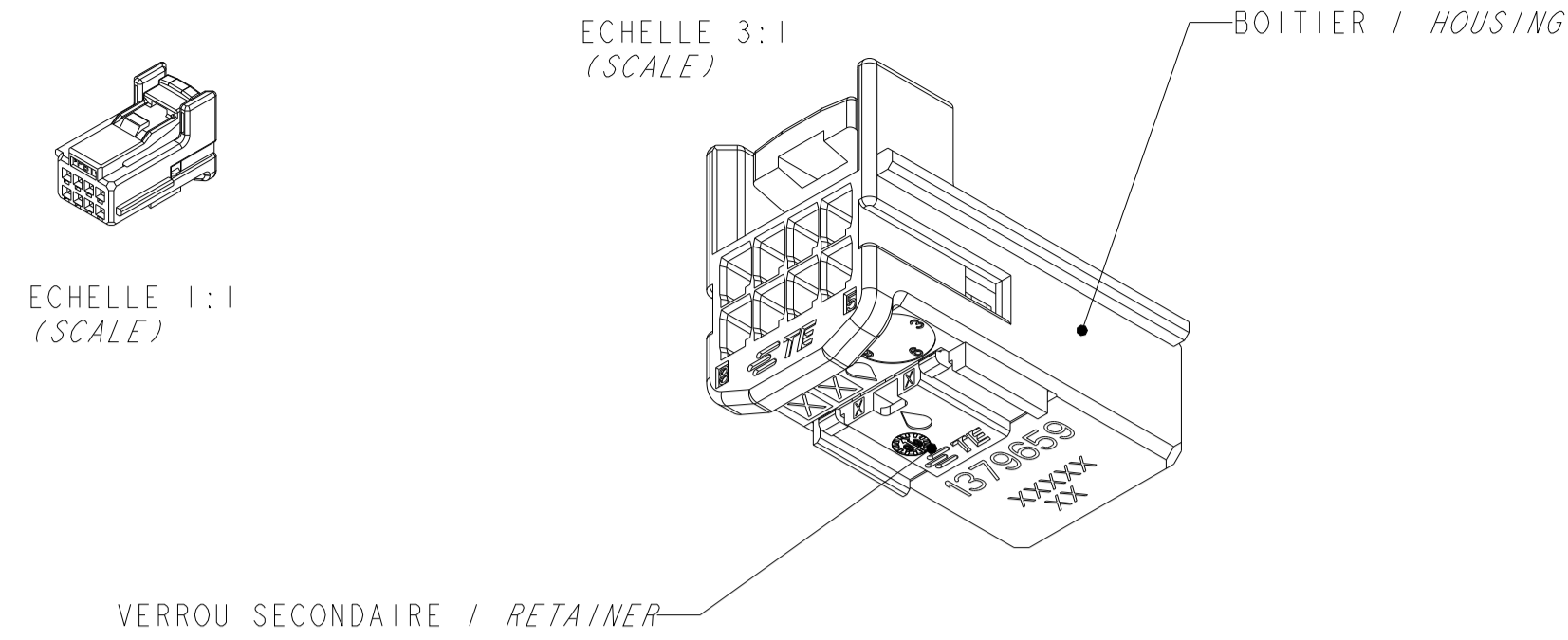


LOC		DIST		REVISIONS				
P	LTN	REV	DATE	OWN	DESS.	APP.	APP.	
J			23OCT2014	DB		JPP		
K			26JUL2016	DB		XR		
L			19DEC2016	DB		XR		
M			14JUN2022	CS		XR		



NOTES : LES NOTES LOCALES SONT ENTRE <-> LOCAL NOTES ARE BETWEEN <->

SPECIFICATIONS DE REFERENCE : APPLICABLE SPECIFICATION :

2 SPECIFICATION TE : 108-15299 TE SPECIFICATION (SEE BEFORE)

4 PLAN D'INTERFACE TE : 1379775 TE INTERFACE DRAWING (SEE BEFORE)

NOTES COMPLEMENTAIRES : ADDITIONAL NOTES :

12 CAHIER DE PRECONISATION : 411-15672 INSTRUCTION SHEET : (SEE BEFORE)

13 REFERENCE REPRESENTEE : 1379659-1 PART NUMBER SHOWN (SEE BEFORE)

14 VERROU SECONDAIRE PREVERROUILLE (POSITION PREFERENTIELLE DE LIVRAISON). SI LE VERROU N'EST PAS DANS CETTE POSITION, SUIVRE LES INSTRUCTIONS DE LA NOTICE TECHNIQUE TE CONNECTIVITY 411-15672 SECONDARY LOCK IN PRELOCKED POSITION (PREFERRED DELIVERY POSITION). IF SECONDARY LOCKING IS NOT IN THIS POSITION, FOLLOW INSTRUCTIONS OF TE CONNECTIVITY SPECIFICATION 411-15672

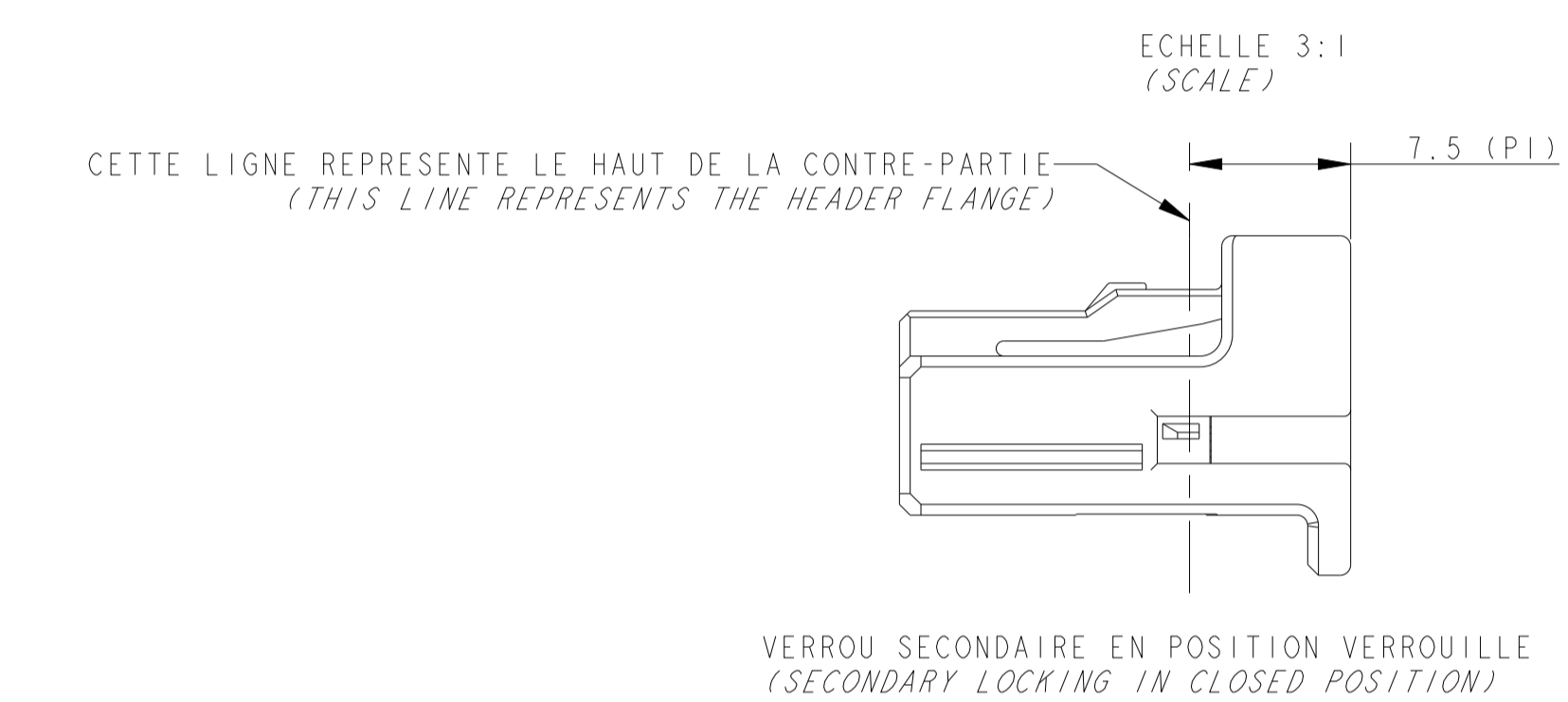
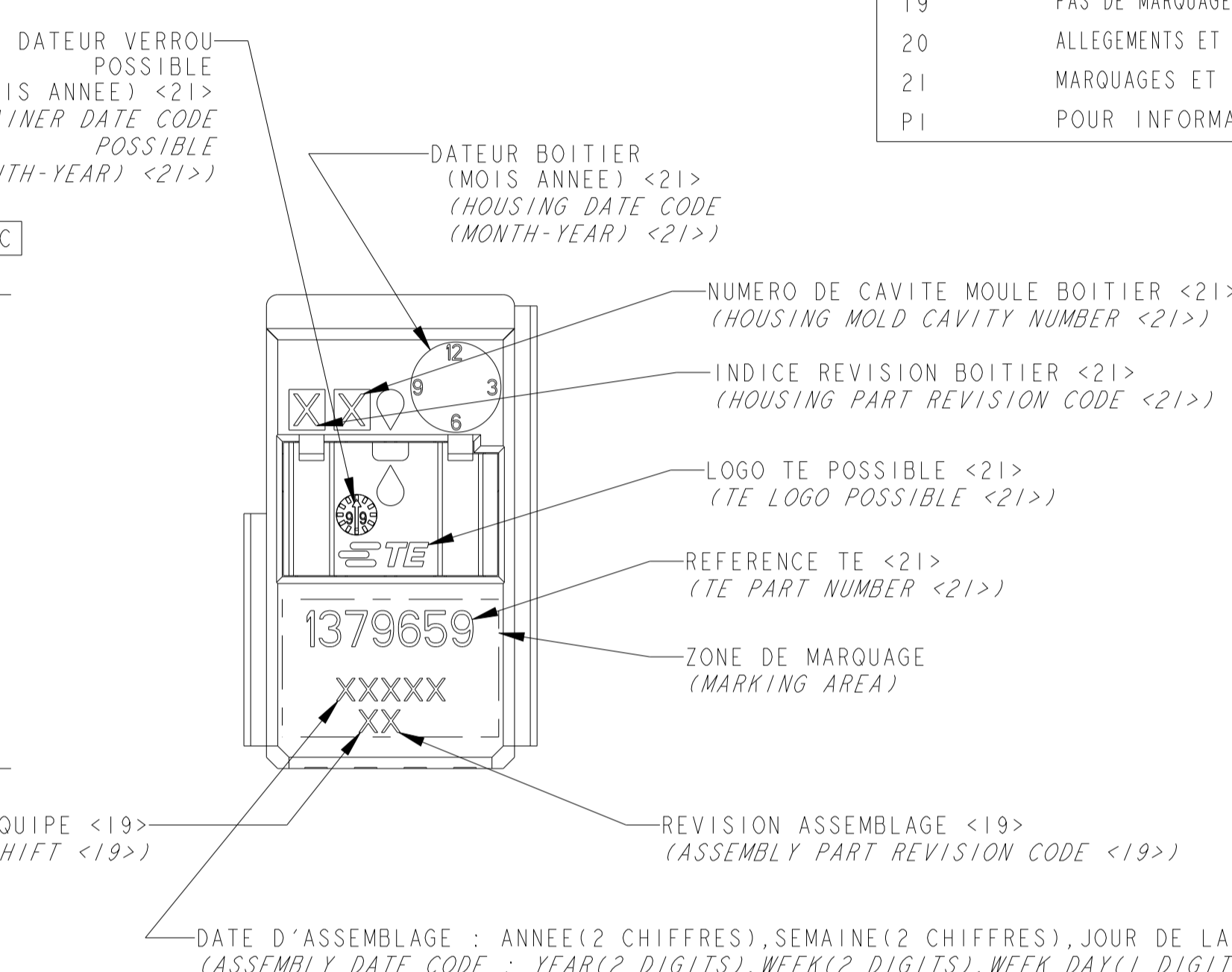
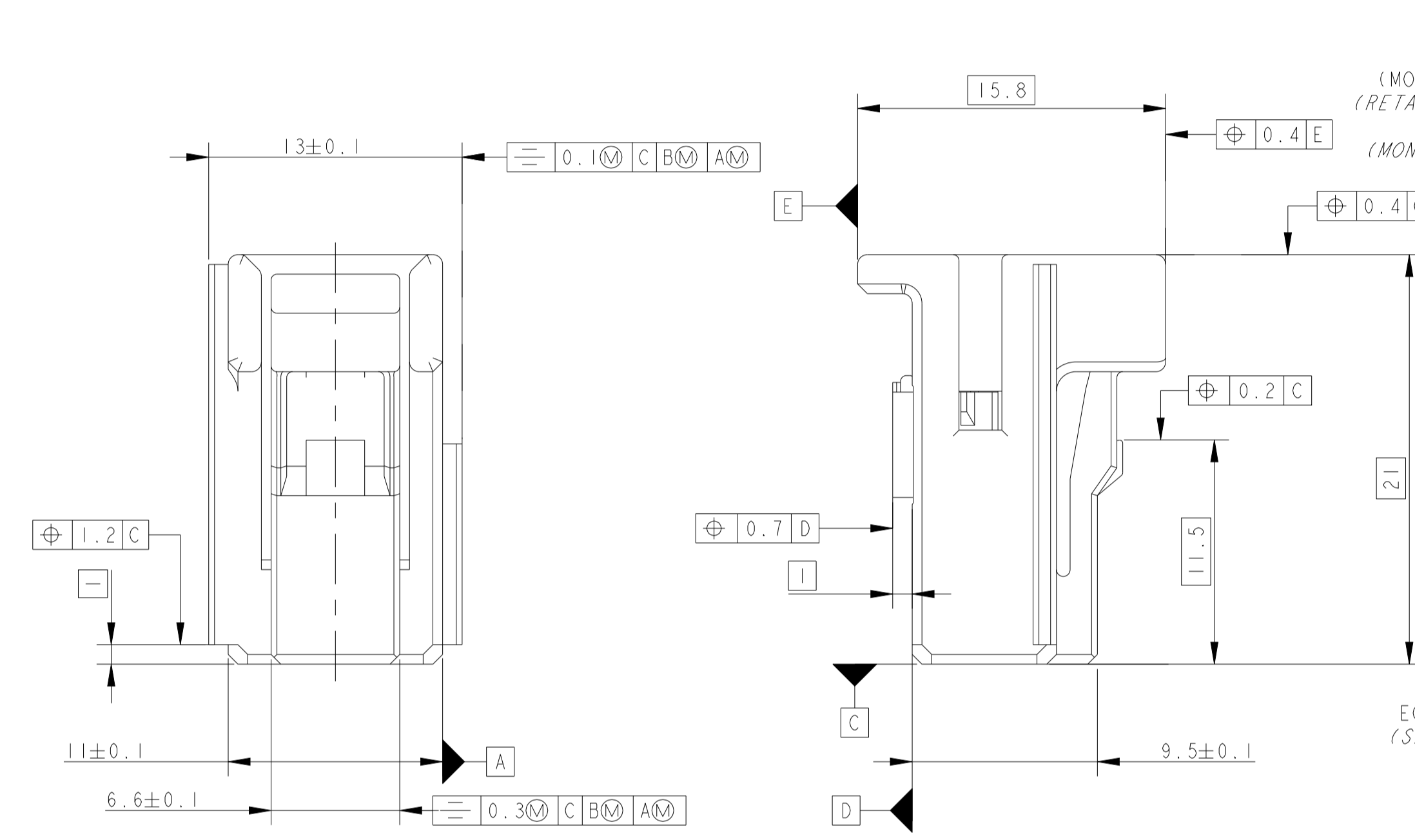
18 LES DIFFERENTES VERSIONS SONT LIVREES DE FACON ALEATOIRE THE DIFFERENT VERSIONS ARE DELIVERED SO RANDOM

19 PAS DE MARQUAGE POUR LES PIECES DIRECTEMENT ASSEMBLEES APRES MOULAGE NO MARKING REQUIRED FOR THE PART MOLDING WITH DIRECT ASSEMBLY

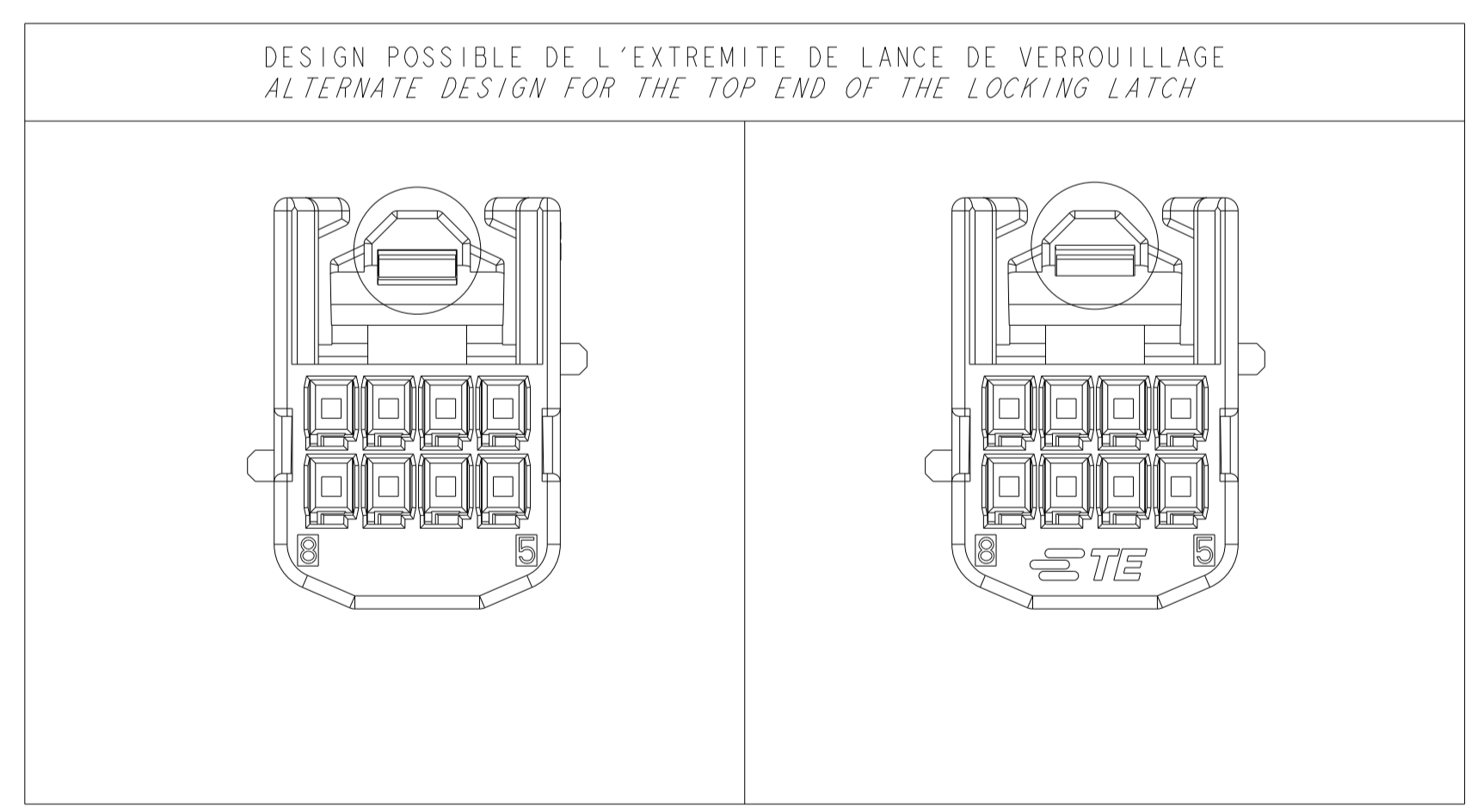
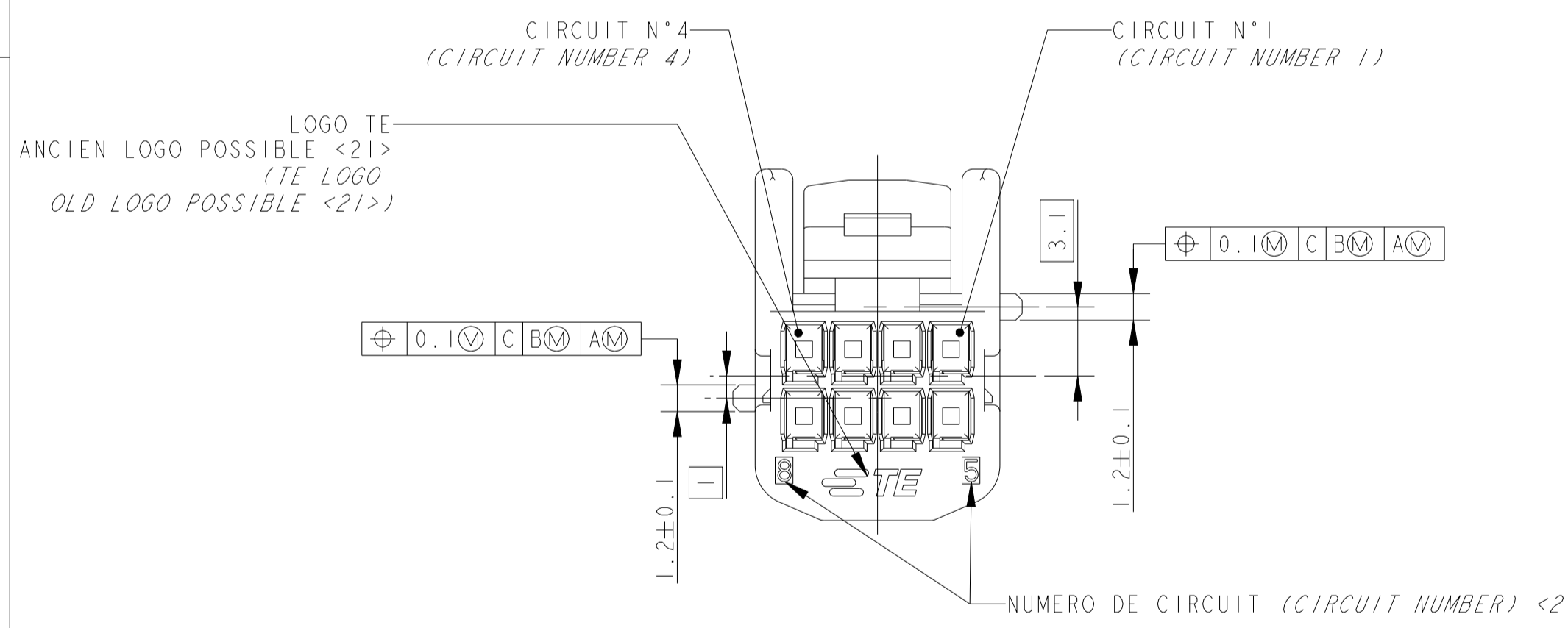
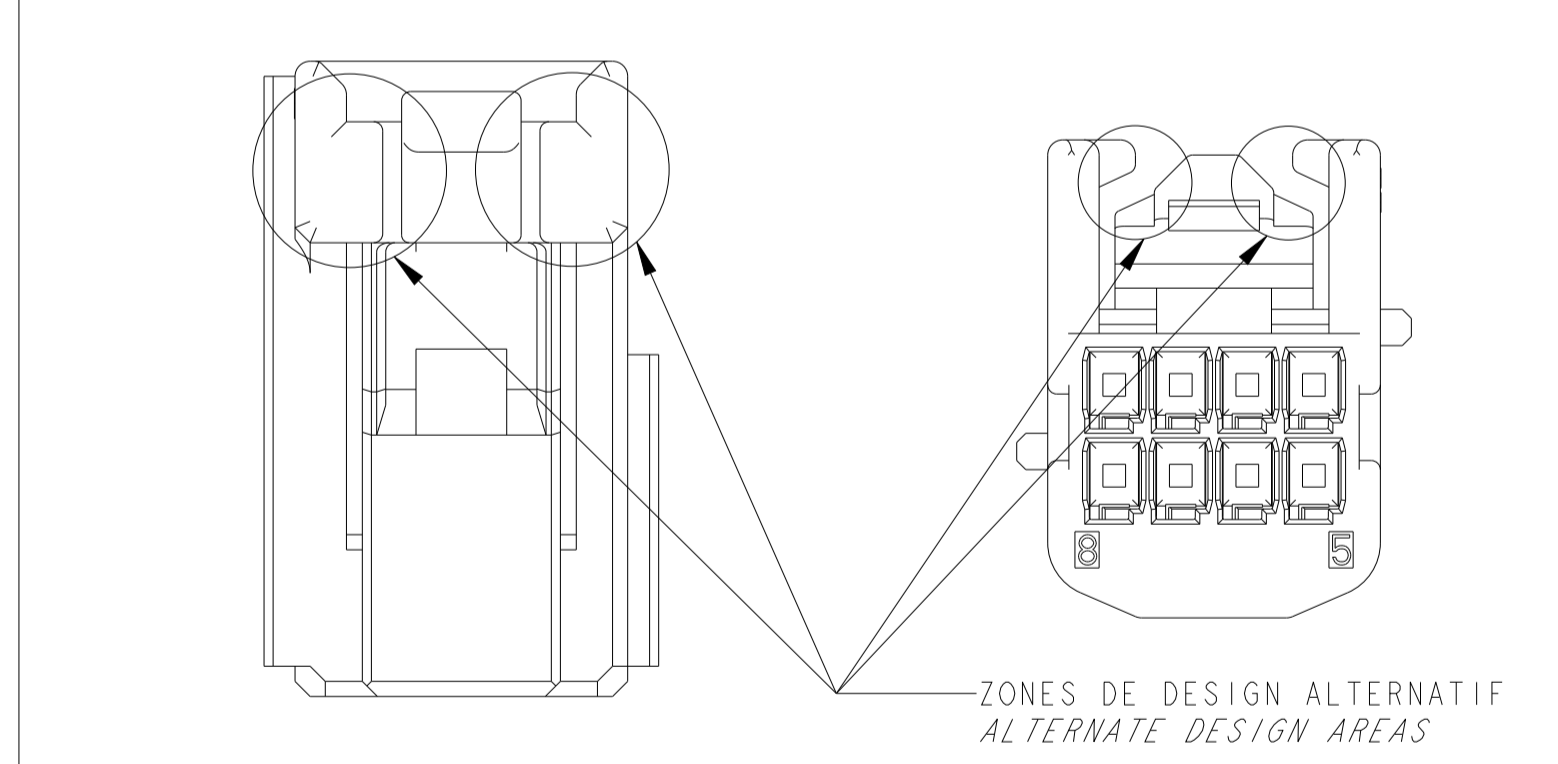
20 ALLEGEMENTS ET FORMES COSMETIQUES PEUVENT DIFFERER D'UN MOULE A L'AUTRE LIGHTENINGS (DIMENSION & LOCATION), COSMETIC SHAPES CAN DIFFER FROM ONE MOLD TO ANOTHER

21 MARQUAGES ET POSITIONS PEUVENT DIFFERER D'UN MOULE A L'AUTRE MARKING TYPE & LOCATION CAN DIFFER FROM ONE MOLD TO ANOTHER

P1 POUR INFORMATION FOR REFERENCE ONLY



DESIGN POSSIBLE AVEC FONCTION ANTI OVERSTRESS DE LA LANCE, VOIR NOTE 18 (ALTERNATE DESIGN WITH ANTI OVERSTRESS FUNCTION OF THE LATCH, SEE NOTE 18)



CONTACTS ASSOCIES LISTE NON EXHAUSTIVE (APPLIED CONTACTS NON EXHAUSTIVE LIST)

REFERENCE TE (TE PART NUMBER)	FINITION (FINISH)	DESIGNATION (DESIGNATION)
1123343-2	DORE (0.38µm) / GOLDDED (0.38µm)	CLIP .635 (.635 CONTACT) 0.22 A 0.5 MM ² (SQMM)
1801069-2	DORE (0.8µm) / GOLDDED (0.8µm)	CLIP .635 (.635 CONTACT) 0.22 A 0.5 MM ² (SQMM)
1123343-1	ETAME (TINNED)	CLIP .635 (.635 CONTACT) 0.22 A 0.5 MM ² (SQMM) (M)

TE PART NUMBER	DESCRIPTION / DESCRIPTION	CODAGE / KEYING	MATIERE BOITIER - MATIERE VERROU SECONDAIRE / HOUSING MATERIAL - RETAINER MATERIAL	COULEUR BOITIER - COULEUR VERROU SECONDAIRE / HOUSING COLOR - RETAINER COLOR	REVISION ASSEMBLAGE / ASSEMBLY REVISION CODE
1379659-7	CONNECTEUR 8 VOIES / 8 WAY CONNECTOR	7 / 7	PBT-PBT / PBT-PBT	VIOLET-NATUREL / PURPLE-NATURAL	B
1379659-6	CONNECTEUR 8 VOIES / 8 WAY CONNECTOR	6 / 6	PBT-PBT / PBT-PBT	ROUGE-NATUREL / RED-NATURAL	B
1379659-5	CONNECTEUR 8 VOIES / 8 WAY CONNECTOR	NEUTRE / NEUTRAL	PBT-PBT / PBT-PBT	NATUREL-NATUREL / NATURAL-NATURAL	B
1379659-4	CONNECTEUR 8 VOIES / 8 WAY CONNECTOR	4 / 4	PBT-PBT / PBT-PBT	VERT-NATUREL / GREEN-NATURAL	B
1379659-3	CONNECTEUR 8 VOIES / 8 WAY CONNECTOR	3 / 3	PBT-PBT / PBT-PBT	BLEU-NATUREL / BLUE-NATURAL	B
1379659-2	CONNECTEUR 8 VOIES / 8 WAY CONNECTOR	2 / 2	PBT-PBT / PBT-PBT	GRIS-NATUREL / GREY-NATURAL	B
1379659-1	CONNECTEUR 8 VOIES / 8 WAY CONNECTOR	1 / 1	PBT-PBT / PBT-PBT	NOIR-NATUREL / BLACK-NATURAL	B

THIS DRAWING IS A CONTROLLED DOCUMENT. OWN / REVISION: 29 OCT 2002 D.BLANCHE / B.DUPOND

CHK / REVISION: 04 NOV 2002 APVD / APPROUVE: 04 NOV 2002 J.P. PICAUD / B.DUPOND

TE Connectivity

025 TH 8 POS PLUG HOUSING

SIZE: A1 CAGE CODE: 100779 DRAWING NO: 1379659

REVISION: M

LOC		DIST		REVISIONS			
P	LTN	REV	DESCRIPTION	DATE	DWN	APVD	APP.
			SEE SHEET 1				

PN 1379659-1	PN 1379659-2	PN 1379659-3	PN 1379659-4	PN 1379659-5	PN 1379659-6	PN 1379659-7
CODAGE 1 (NOIR) KEYING 1 (BLACK)	CODAGE 2 (GRIS) KEYING 2 (GRAY)	CODAGE 3 (BLEU) KEYING 3 (BLUE)	CODAGE 4 (VERT) KEYING 4 (GREEN)	CODAGE NEUTRE (NATUREL) NEUTRAL KEYING (NATURAL)	CODAGE 6 (ROUGE) KEYING 6 (RED)	CODAGE 7 (VIOLET) KEYING 7 (PURPLE)

THIS DRAWING IS A CONTROLLED DOCUMENT.

DWN / BRESSINE: 29 OCT 2002
 D. BANCE
 CHK / VERIFIE: 04 NOV 2002
 B. DUPOND

APVD / APPROUVE: 04 NOV 2002
 JP. PICAUD

NAME: 025 TH 8 POS PLUG HOUSING

PRODUCT SPEC: SEE TABLE
 SPEC. PRODUCT: SEE TABLE
 APPLICATION SPEC: SEE TABLE
 SPEC. APPLICATION: SEE TABLE

SIZE: A1
 CAGE CODE: 00779
 DRAWING NO: 1379659

RESTRICTED TO RESERVE A

CUSTOMER DRAWING / PLAN CLIENT UNIFORMEMENT FOUR REFERENCE SCALE 4:1 SHEET 2 OF 2 REV M