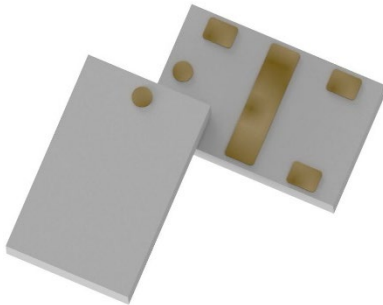




**Ultra Low Profile 0805
2dB 90° Hybrid Coupler**



Description:

The X4C35J1-02G is a low cost, low profile sub-miniature high performance 2 dB directional coupler in a new easy to use, manufacturing friendly surface mount package. It is designed for 3100 – 4200MHz applications including: 5G applications. It can be used in high power applications up to 5 Watts.

Parts have been subjected to rigorous qualification testing and they are manufactured using materials with coefficients of thermal expansion (CTE) compatible with common softboard substrates. Produced with 6 of 6 RoHS compliant ENIG finish.

Electrical Specifications**

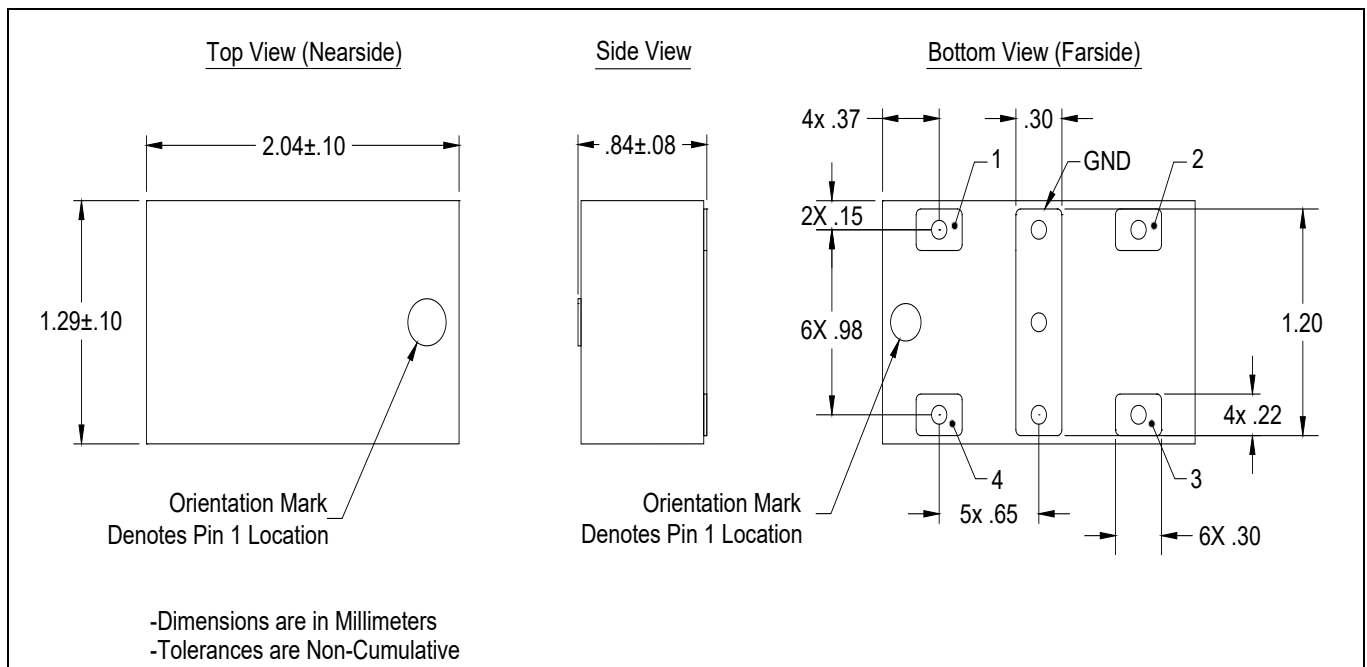
Features:

- 3100-4200 MHz
- 5G Applications
- High Power
- Very Low Loss
- Tight Amplitude Balance
- High Isolation
- Production Friendly
- Tape and Reel
- RoHS Compliant
- Halogen Free

Frequency	Coupling	Insertion Loss	Return Loss
MHz	dB	dB Max	dB Min
3100-4200	2 ± 0.5	0.5	20
Isolation	Phase Balance	Power	Operating Temp.
dB Min	deg	Avg. CW Watts @105°C	°C
22	± 4	5*	-55 to +140

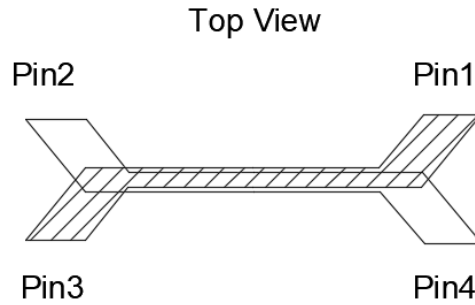
**Specification based on performance of unit properly installed on TTM test board with small signal applied. *Specifications subject to change without notice. Refer to parameter definitions for details.

Mechanical Outline:



Directional Coupler Pin Configuration

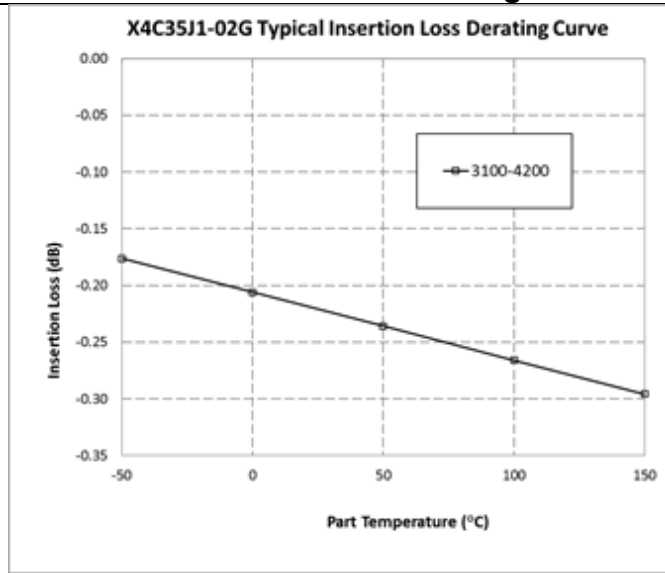
The X4C35J1-02G has an orientation marker to denote Pin 1. Once port one has been identified, the other ports are known automatically. Please see the chart below for clarification.



Configuration	Pin 1	Pin 2	Pin 3	Pin 4
Splitter	Input	Isolated	-5dB < Θ -90	-2dB < Θ
Splitter	Isolated	Input	-2dB < Θ	-5dB < Θ -90
Splitter	-5dB < Θ -90	-2dB < Θ	Input	Isolated
Splitter	-2dB < Θ	-5dB < Θ -90	Isolated	Input

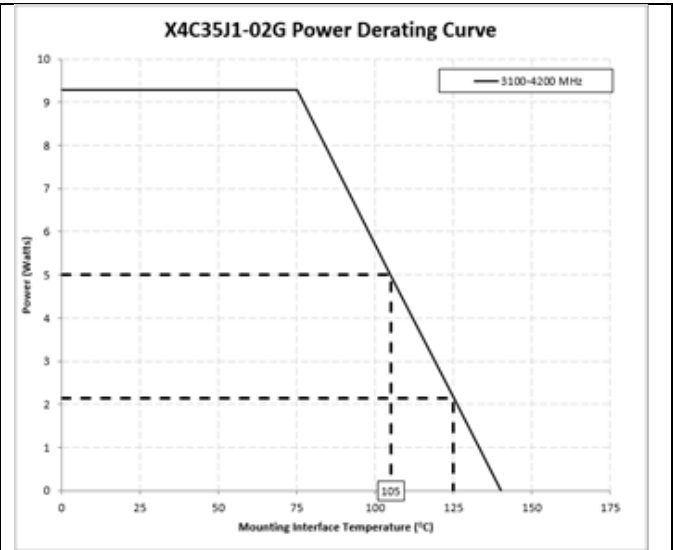
Note: The direct port has a DC connection to the input port and the coupled port has a DC connection to the isolated port.

Insertion Loss and Power Derating Curves



Insertion Loss Derating

The insertion loss, at a given frequency, of a group of couplers is measured at 25°C and then averaged. The measurements are performed under small signal conditions (i.e. using a Vector Network Analyzer). The process is repeated at -55°C, 105°C and 140°C. A best-fit line for the measured data is computed and then plotted from -55°C to 140°C.



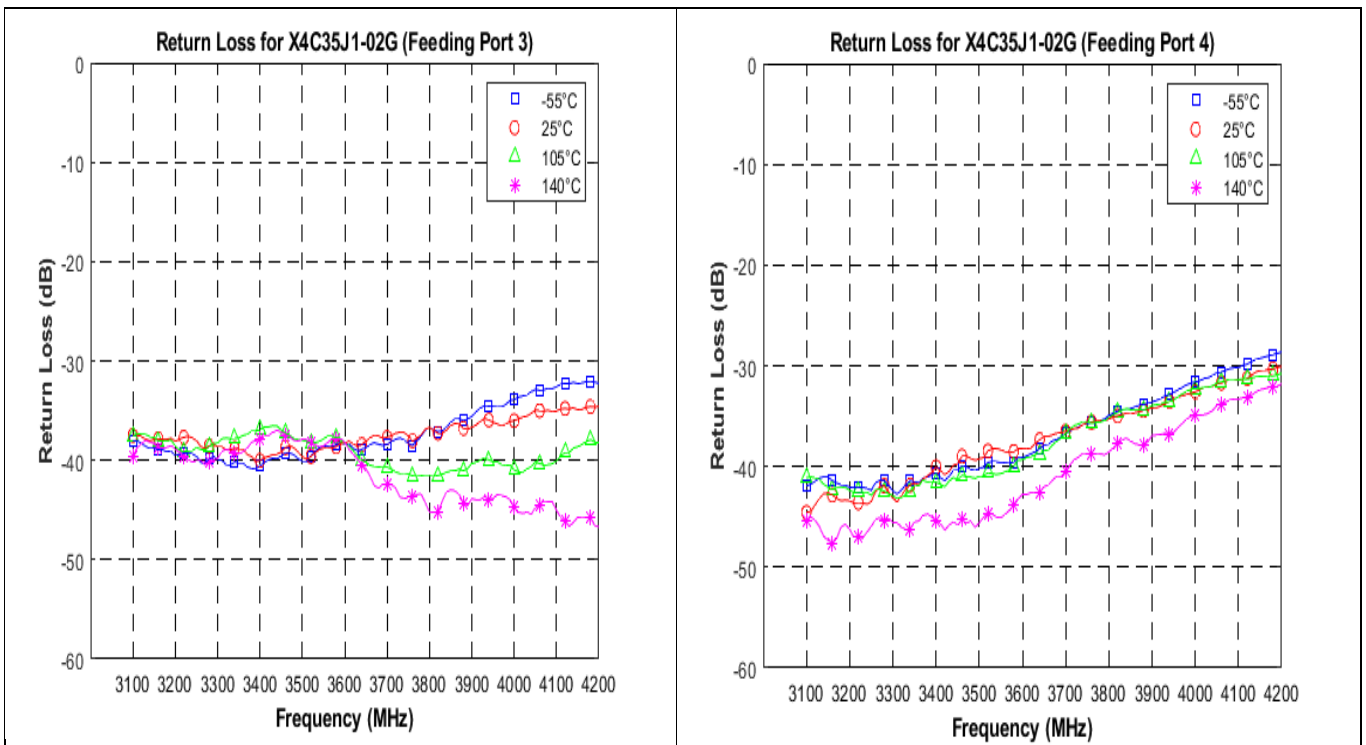
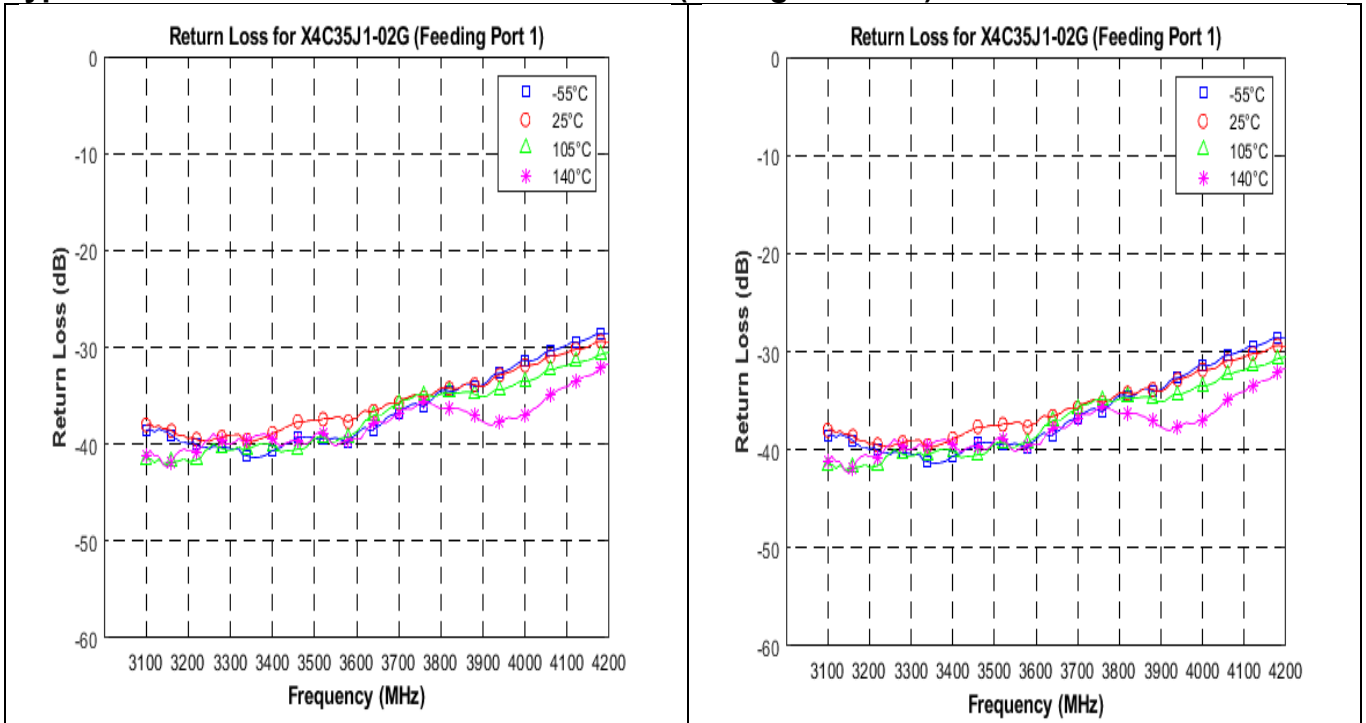
Power Derating

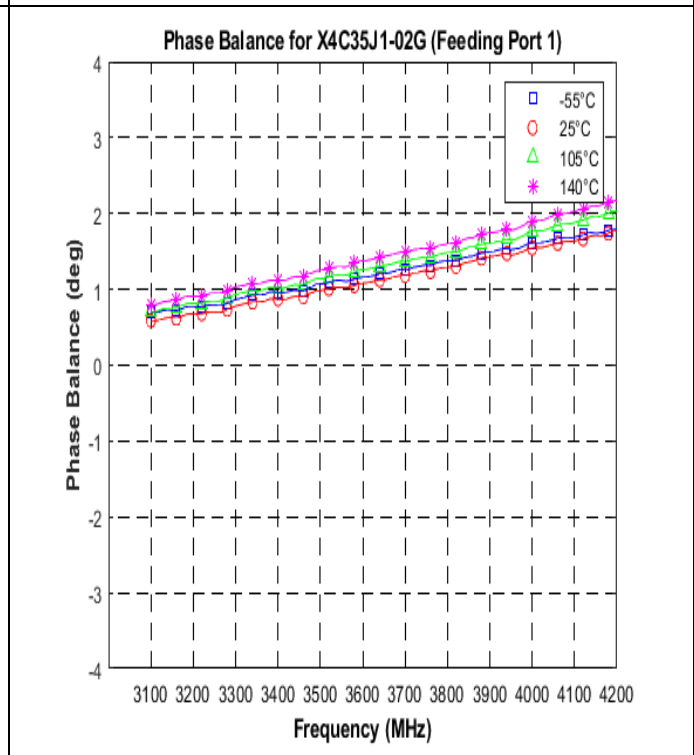
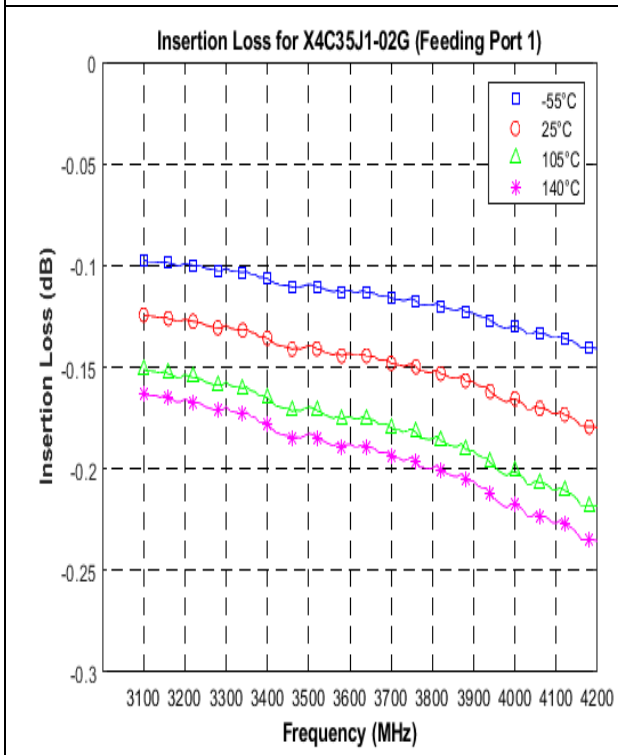
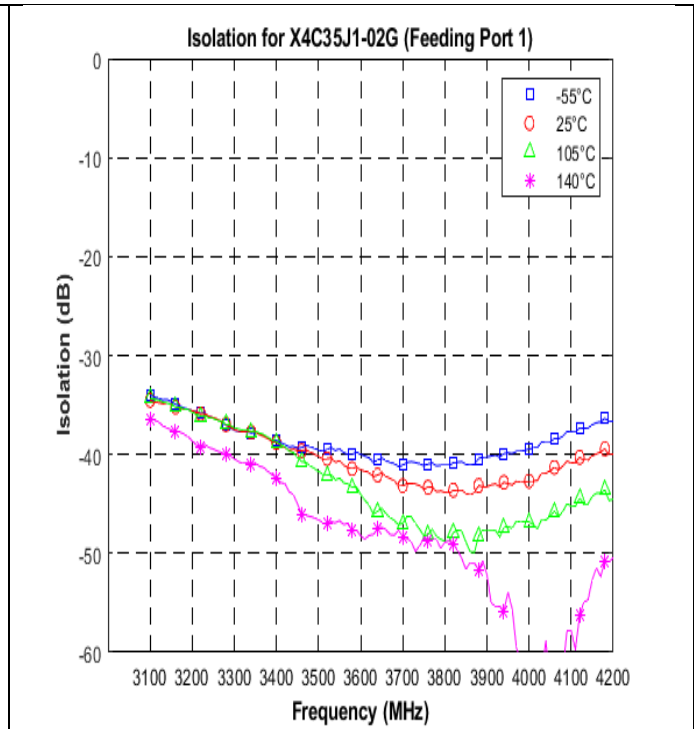
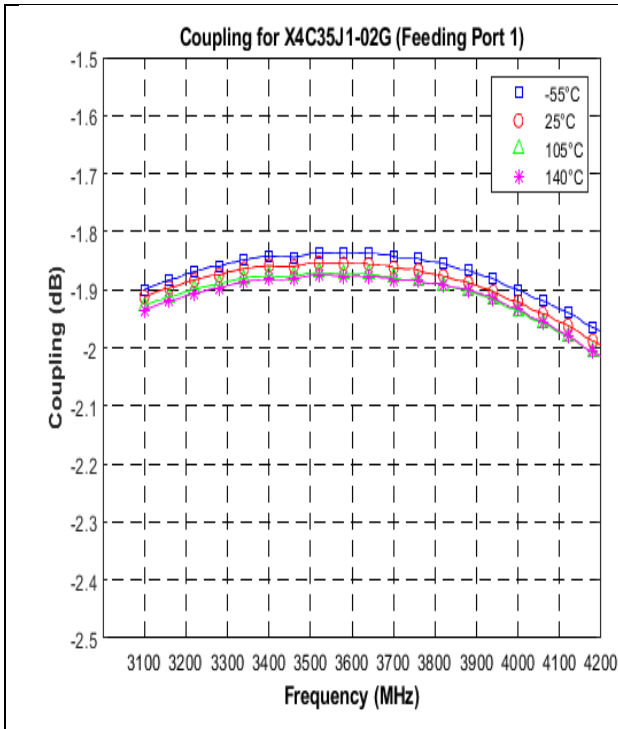
The power handling and corresponding power derating plots are a function of the thermal resistance, mounting surface temperature (base plate temperature), maximum continuous operating temperature of the coupler, and the thermal insertion loss. The thermal insertion loss is defined in the Power Handling section of the data sheet.

As the mounting interface temperature approaches the maximum continuous operating temperature, the power handling decreases to zero.

If mounting temperature is greater than 105°C, Xinger coupler will perform reliably as long as the input power is derated to the curve above.

Typical Performance 3100 MHz to 4200 MHz (Configuration 1)





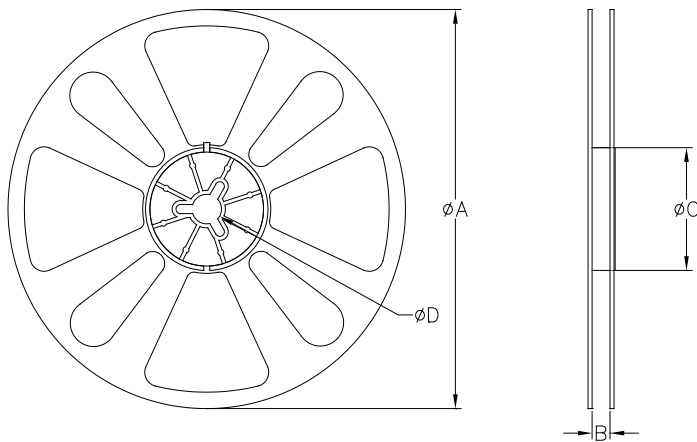
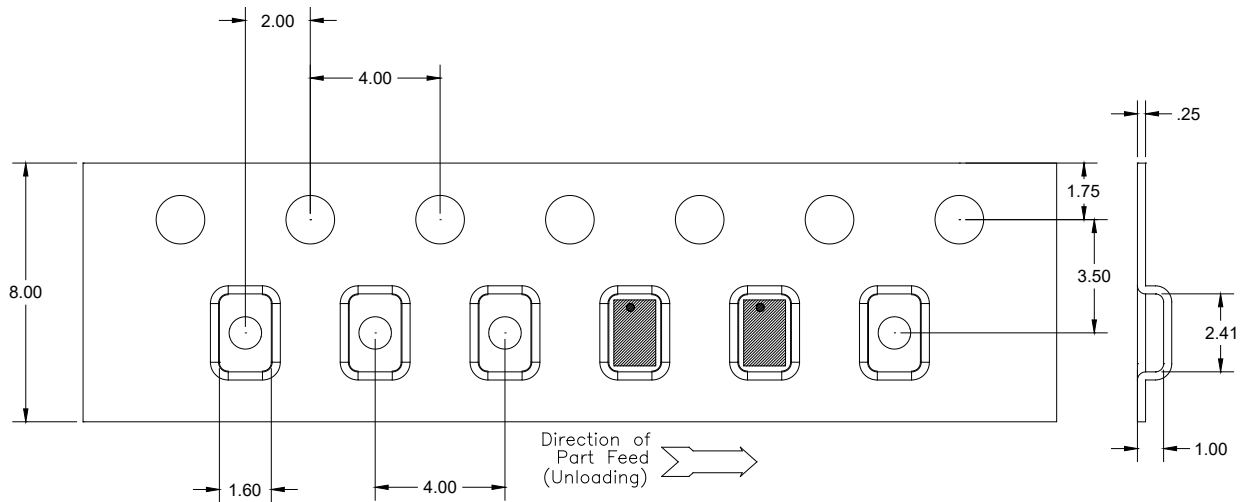
Definition of Measured Specification

Parameter	Definition	Mathematical Representation
VSWR (Voltage Standing Wave Ratio)	The impedance match of the coupler to a 50Ω system. A VSWR of 1:1 is optimal.	$VSWR = \frac{V_{max}}{V_{min}}$ Vmax = voltage maxima of a standing wave Vmin = voltage minima of a standing wave
Return Loss	The impedance match of the coupler to a 50Ω system. Return Loss is an alternate means to express VSWR.	$\text{Return Loss(dB)} = 20\log \frac{VSWR+1}{VSWR-1}$
Insertion Loss	The input power divided by the sum of the power at the two output ports.	$\text{Insertion Loss(dB)} = 10\log \frac{P_{in}}{P_{cpl} + P_{direct}}$
Isolation	The input power divided by the power at the isolated port.	$\text{Isolation(dB)} = 10\log \frac{P_{in}}{P_{iso}}$
Phase Balance	The difference in phase angle between the two output ports.	Phase at coupled port – Phase at direct port
Coupling	At a given frequency (ω_n), coupling is the input power divided by the power at the coupled port.	$\text{Coupling(dB)} = C(\omega_n) = 10\log \frac{P_{in}(\omega_n)}{P_{cpl}(\omega_n)}$
Group Delay	Group delay is average of group delay's from input port to the coupled port	Average (GD-C)

*100% RF test is performed per spec definition for pin configuration 1 and 2.

Packaging and Ordering Information:

Parts are available in reel and are packaged per EIA 481-D. Parts are oriented in tape and reel as shown below. Minimum order quantities are 4000 per reel.



QUANTITY/REEL	REEL DIMENSIONS mm	
4000	ϕA	177.80
	B	8.00
	ϕC	50.80
	ϕD	13.00

Contact us:
rf&s_support@ttm.com