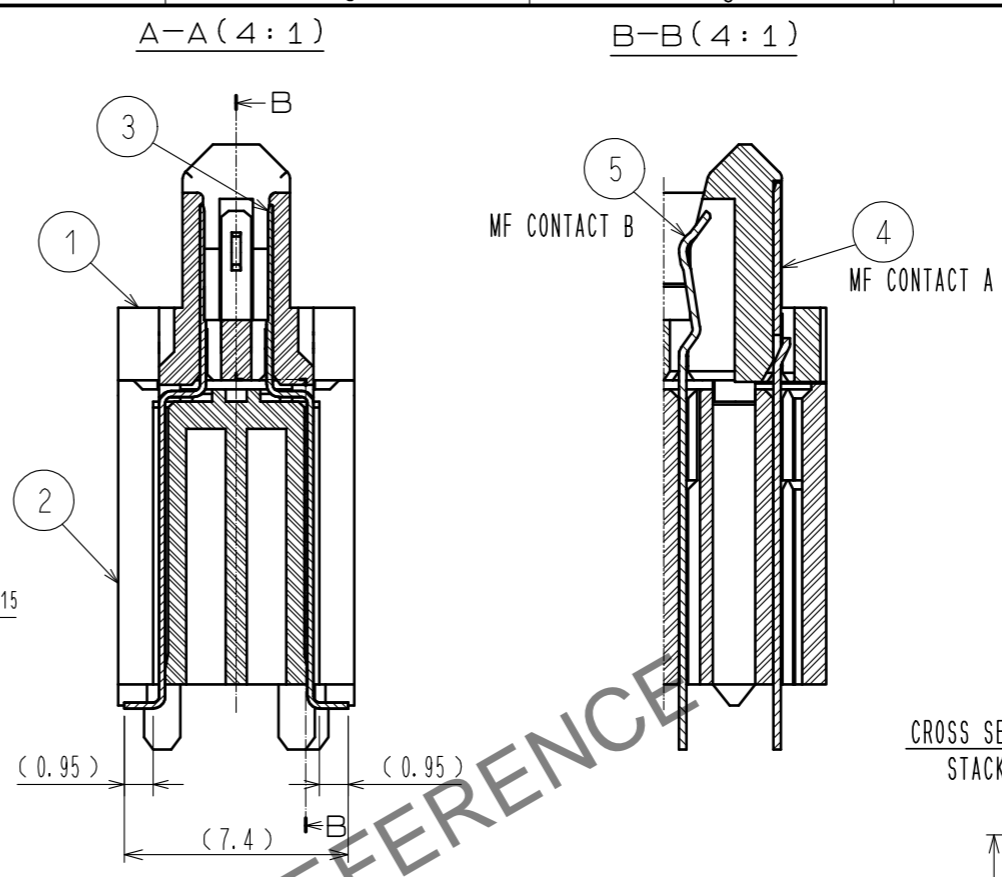
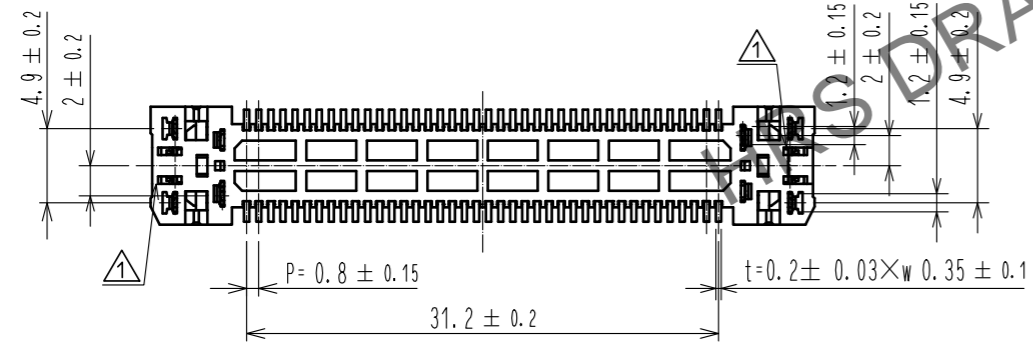
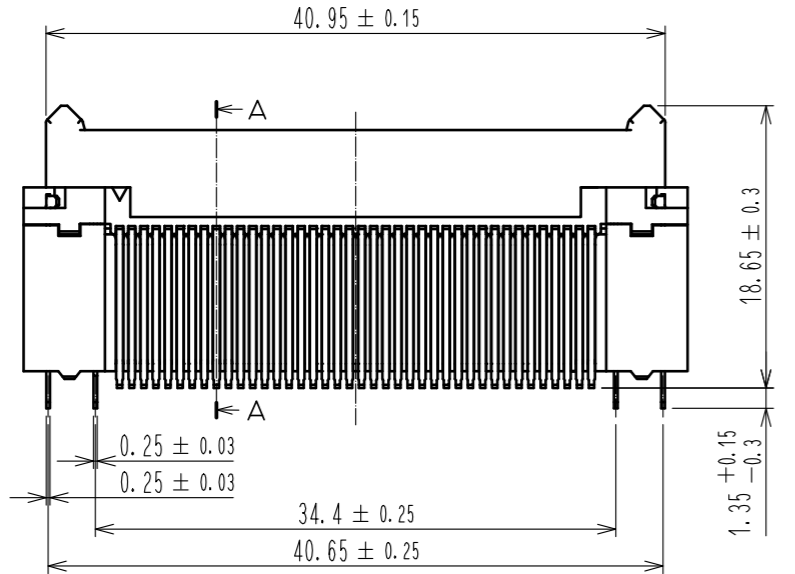
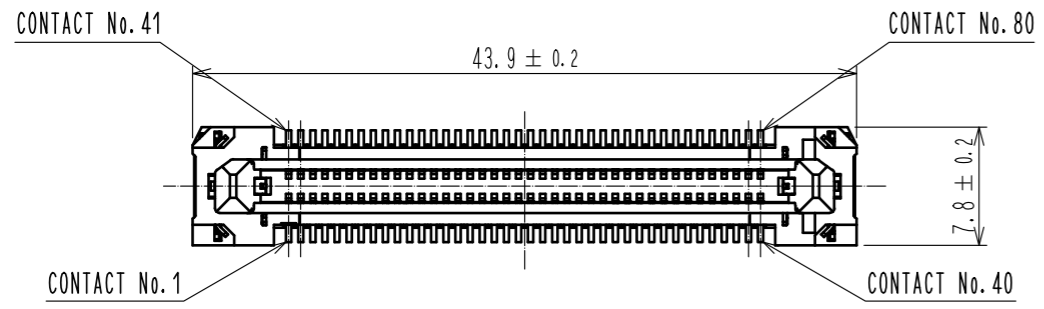
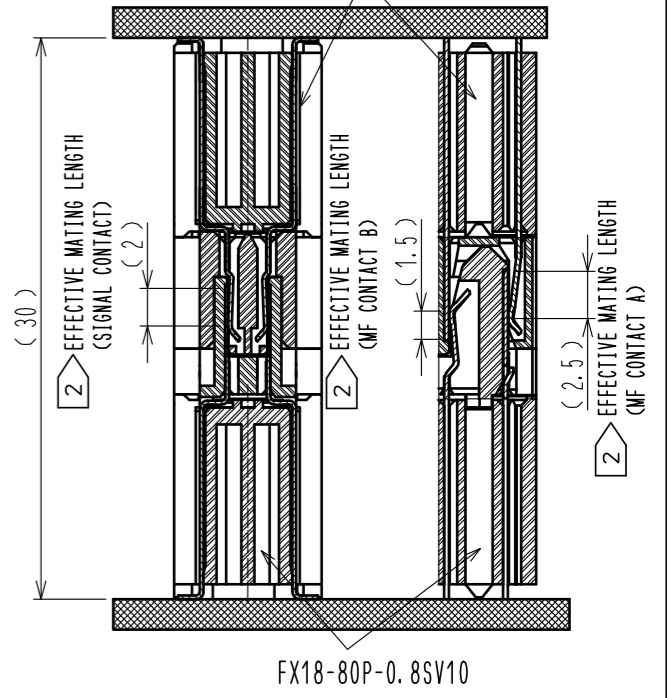
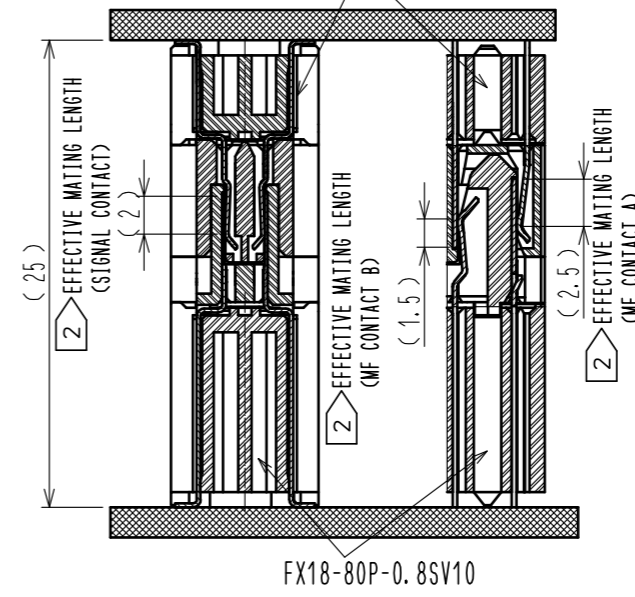


Jun.1.2024 Copyright 2024 HIROSE ELECTRIC CO., LTD. All Rights Reserved.
In case of consideration for using Automotive equipment / device which demand high reliability, kindly contact our sales window correspondents.



CROSS SECTION OF MATING(FREE)
STACKING HEIGHT=25mm
FX18-80S-0.8SV15

CROSS SECTION OF MATING(FREE)
STACKING HEIGHT=30mm
FX18-80S-0.8SV20



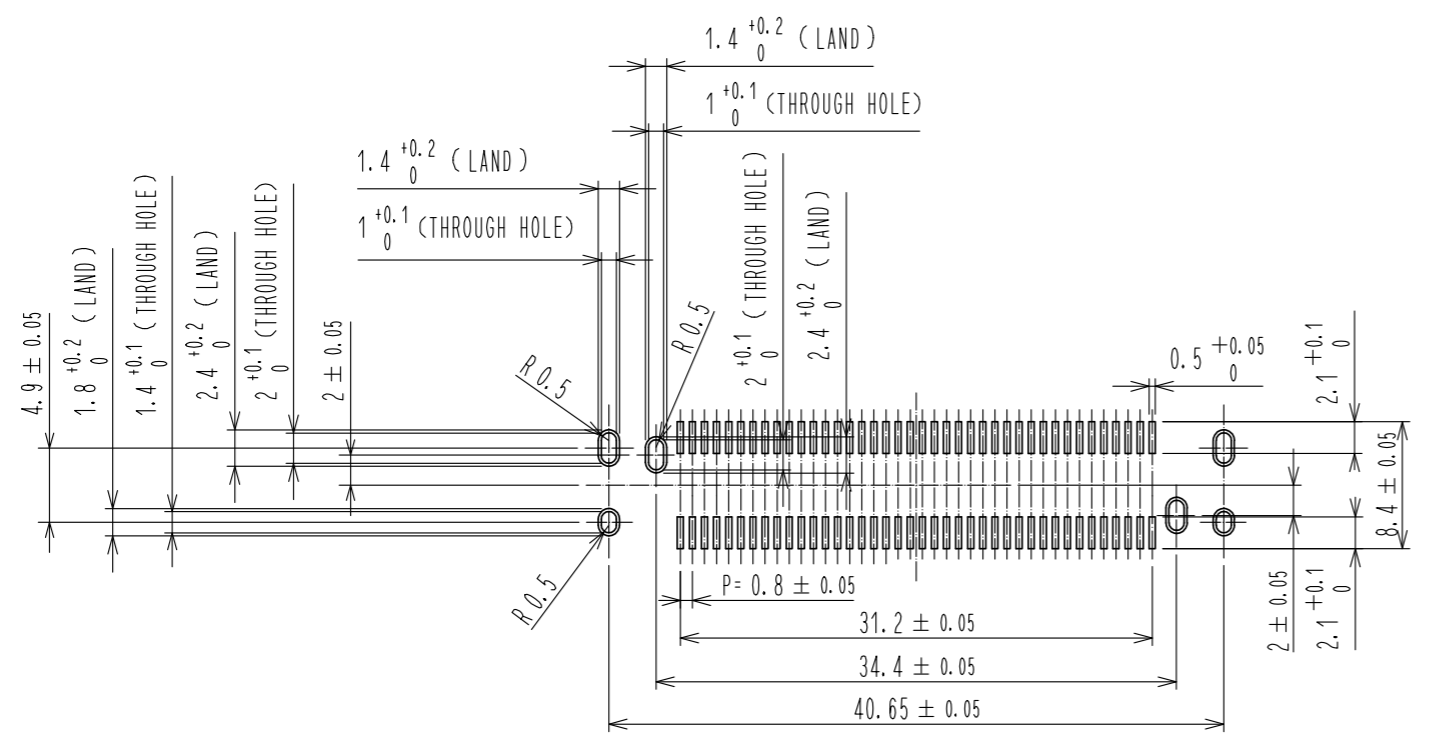
- NOTES
- 1 LEAD CO-PLANARITY IS 0.1mm MAX.
 - 2 CONTACTS ARE 3 STEPS SEQUENTIAL. (MF CONTACT A=>SIGNAL CONTACT=>MF CONTACT B) WHEN USING THIS SEQUENTIAL STRUCTURE, PLEASE AVOID ANGLED INSERTION.
 - 3 MF CONTACT A AND MF CONTACT B CAN BE USED AS POWER SUPPLY CONTACT. (3A/PIN MAX)
 - 4 IT SHOWS THE VACUUM PICKUP AREA. (SEE PAGE 2)
REMOVE THE MYLAR TAPE BEFORE MATING CONNECTORS.
 - 5 THIS IS PACKAGED IN TRAY. (50pcs/TRAY)
 - 6 BLEMISH AND HIT MARK CAN BE OCCURED THROUGH OUT THE MANUFACTURING PROCESS WHICH DOESN' T AFFECT QUALITY LEVEL.
 - 7 THE DIMENSIONS IN PARENTHESES ARE FOR REFERENCES.

3	PHOSPHOR BRONZE	CONTACT AREA :GOLD 0.1μm LEAD AREA :GOLD 0.03μm UNDER PLATING:NICKEL 1.3μm	5	COPPER ALLOY	CONTACT AREA :GOLD 0.1μm LEAD AREA :TIN-PLATING 1μm UNDER PLATING:NICKEL 1.3μm
2	POLYAMIDE	BLACK UL94V-0	4	COPPER ALLOY	CONTACT AREA :GOLD 0.1μm LEAD AREA :TIN-PLATING 1μm UNDER PLATING:NICKEL 1.3μm
1	POLYAMIDE	BLACK UL94V-0			
NO.	MATERIAL	FINISH . REMARKS	NO.	MATERIAL	FINISH . REMARKS

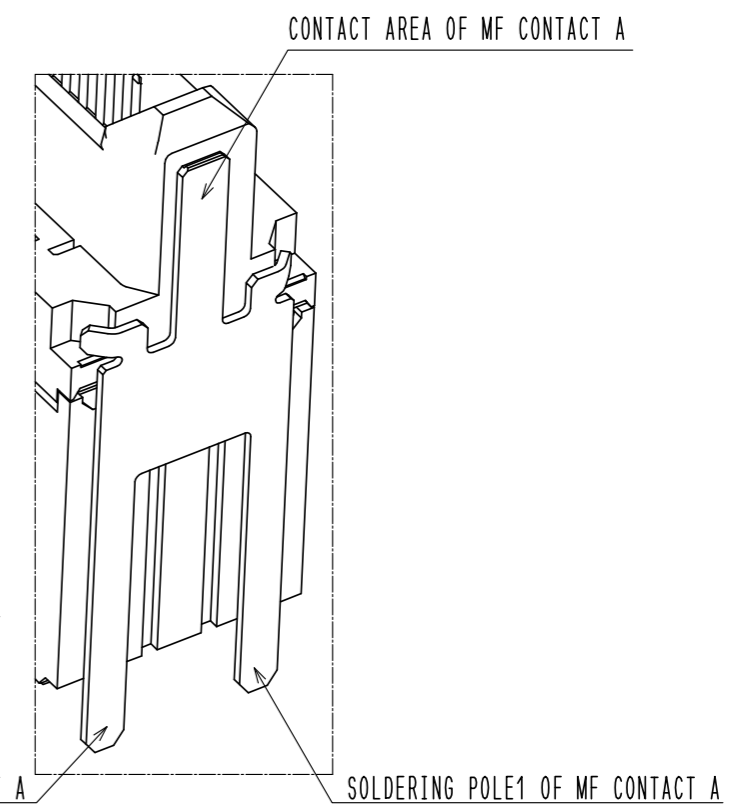
UNITS mm		SCALE 2 : 1	COUNT 2	DESCRIPTION OF REVISIONS DIS-F-00017903	DESIGNED KS. NAKAJIMA	CHECKED HT. YAMAGUCHI	DATE 20230331
HRS HIROSE ELECTRIC CO., LTD.		APPROVED : HS. OKAWA	20110824	DRAWING NO. EDC-334384-00-00			
		CHECKED : KI. HIROKAWA	20110824	PART NO. FX18-80P-0.8SV10			
		DESIGNED : TH. SANO	20110824	CODE NO. CL0579-0024-8-00			
		DRAWN : TH. SANO	20110824	1/2			

Jun.1.2024 Copyright 2024 HIROSE ELECTRIC CO., LTD. All Rights Reserved.
 In case of consideration for using Automotive equipment / device which demand high reliability, kindly contact our sales window correspondents.

RECOMMENDED LAND PATTERN DIMENSION OF PCB(2:1)
 (PCB THICKNESS:t=1.6mm METAL MASK THICKNESS:t=0.12mm)

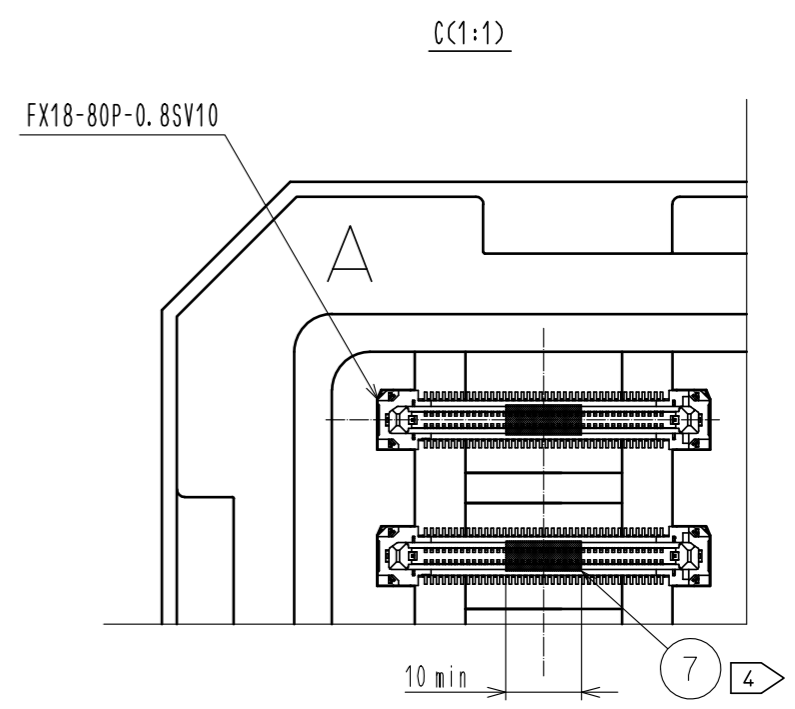
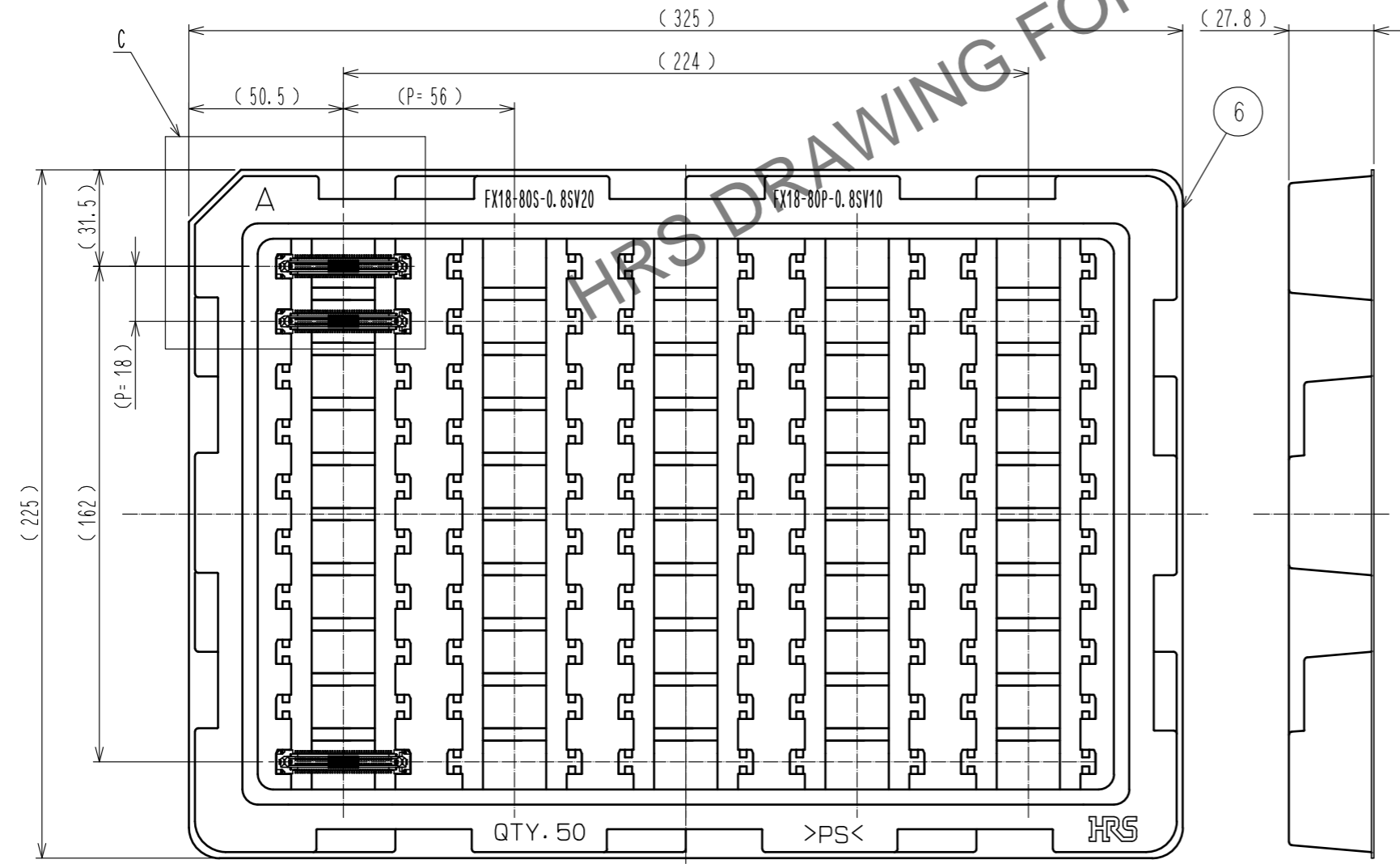


8 CONFIGURATION OF MF CONTACT A



NOTE 8 SOLDERING LEAD OF MF CONTACT A SPLITS INTO TWO POLES.
 BE SURE TO CONNECT TO THE SAME CIRCUIT.

5 DRAWING FOR PACKING(1:2)



HRS	DRAWING NO.	EDC-334384-00-00	
	PART NO.	FX18-80P-0.8SV10	
	CODE NO.	CL0579-0024-8-00	