



# LI-AR0234CS-GMSL2-OWL



**Address:**

910 Auburn Ct  
Fremont, CA 94538  
USA



**Phone:**

+1 (408)263-0988

**Fax:**

+1 (408)217-1960



**Sales:**

[sales@leopardimaging.com](mailto:sales@leopardimaging.com)

**Support:**

[support@leopardimaging.com](mailto:support@leopardimaging.com)

## INTRODUCTION

The LI-AR0234CS-GMSL2-OWL is equipped with ON Semiconductor CMOS 2.3MP digital image sensor AR0234CS, capable of producing clear, low noise images in both low-light and bright scenes. This camera outputs 1920 x 1200 RAW data.

## SPECIFICATIONS

|                    |   |
|--------------------|---|
| Sensor             | ON Semiconductor CMOS 2.3MP Image Sensor AR0234CS |
| Optical Format     | 1/2.6"  |
| Resolution         | 1920 (H) x 1200 (V) (active pixels)               |
| Pixel Size         | 3.0 x 3.0 $\mu\text{m}$                           |
| Output Format      | 10-bit RAW  |
| Color / Mono       | Color sensor                                      |
| Frame Rate         | 120 fps @ full resolution                         |
| Shutter            | Global shutter                                    |
| Serializer         | Maxim MAX9295A/B                                  |
| Power Supply Range | 9 ~ 19 VDC  |
| IP Rating          | IP65  |
| FAKRA Connector    | FAKRA Z TYPE                                      |
| Power Consumption  | 70 mA @ 12 VDC                                    |
| Operating Temp     | -20°C ~ +50°C                                     |
| Storage Temp       | -20°C ~ +50°C                                     |
| Weight             | ~ 37 g  |
| Part#              | LI-AR0234CS-GMSL2-OWL                             |

## APPLICATIONS

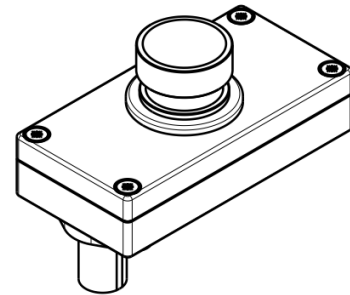
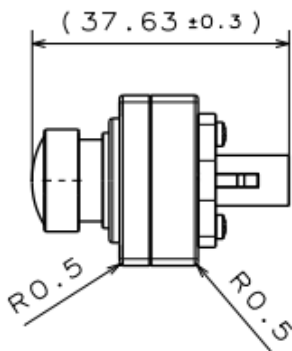
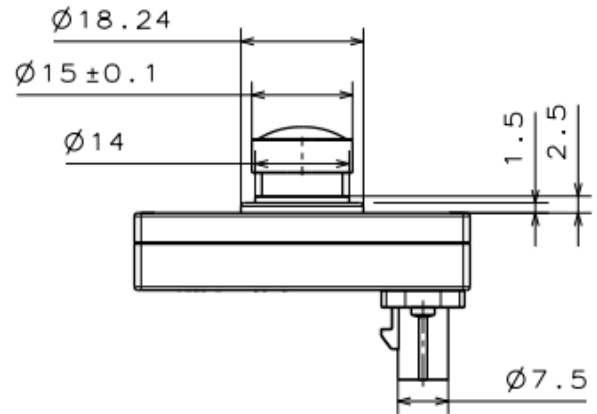
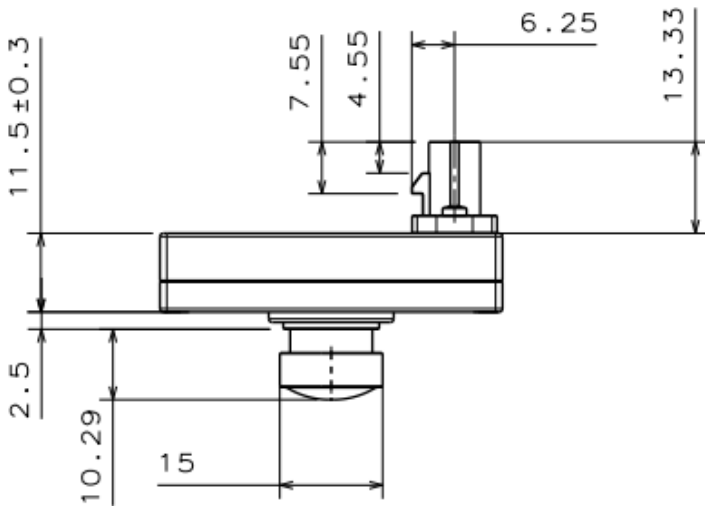
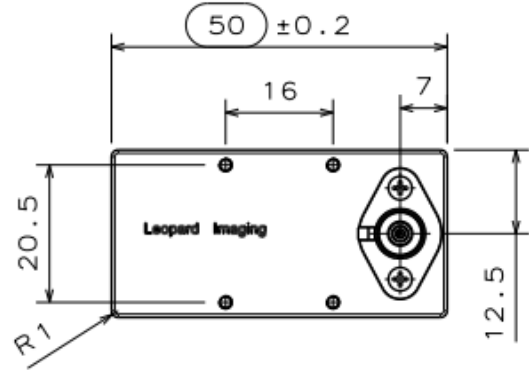
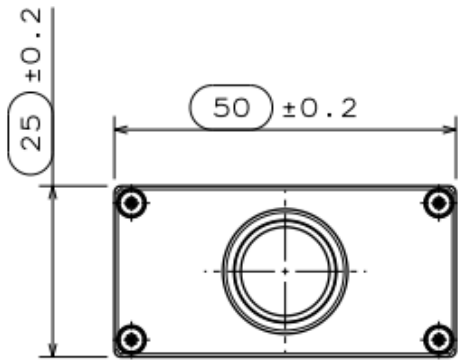
- Bar Code Scanner
- Gesture Recognition
- 3D Scanning
- Positional Tracking
- Iris Scanning
- Augmented Reality
- Virtual Reality
- Biometrics
- Machine Vision

## LENS SPECIFICATIONS

|                     |                                  |
|---------------------|----------------------------------|
| Focal Length        | 1.34 $\pm$ 5%                    |
| Aperture, F/#       | 2.0 $\pm$ 5%                     |
| Field of View (FOV) | 202.0° $\pm$ 3° horizontal       |
|                     | 127.2° $\pm$ 2° vertical         |
| IR Filter           | 650 nm $\pm$ 10 nm IR cut filter |
| Lens Mount          | M12 x 0.5                        |



# DIMENSIONS

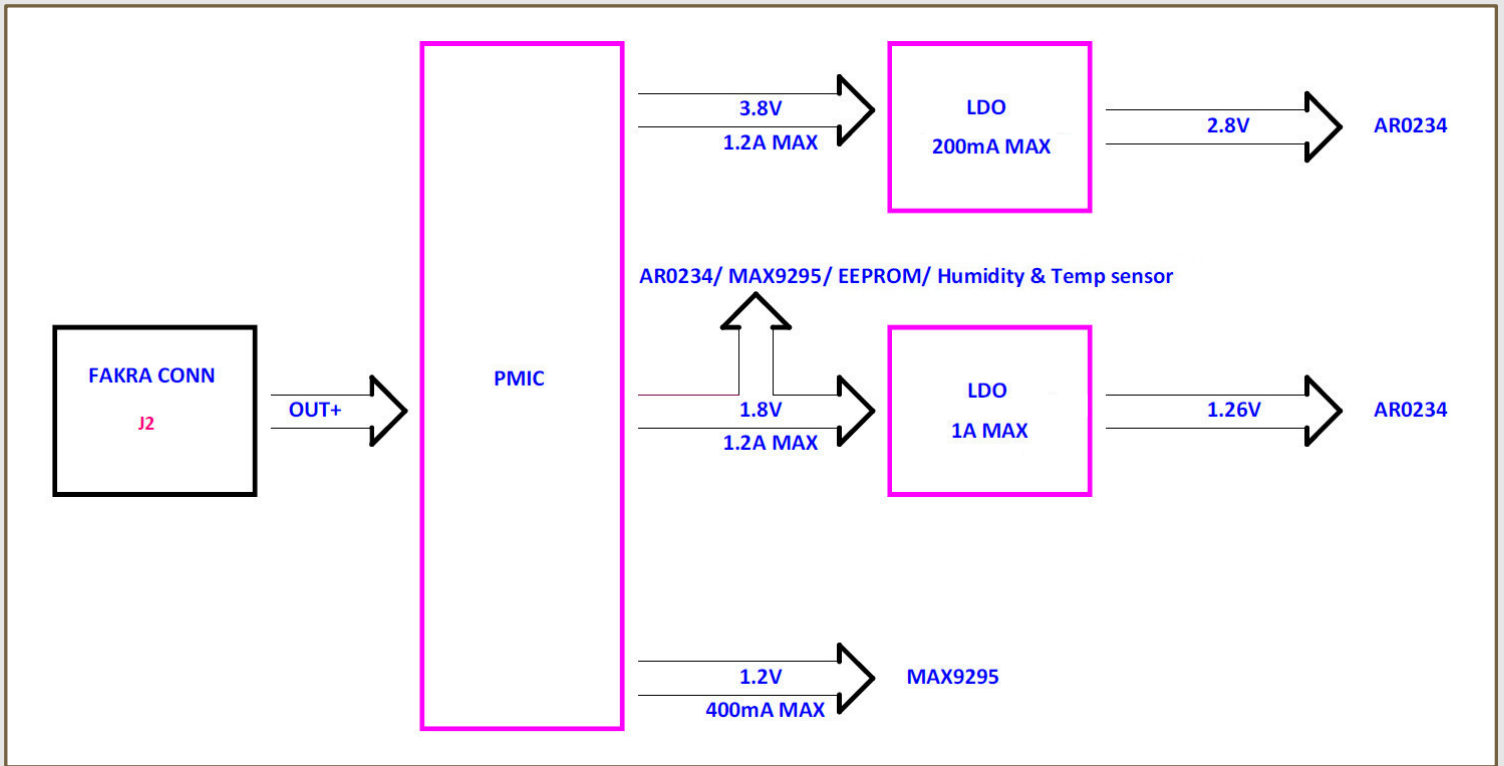


**NOTE:**

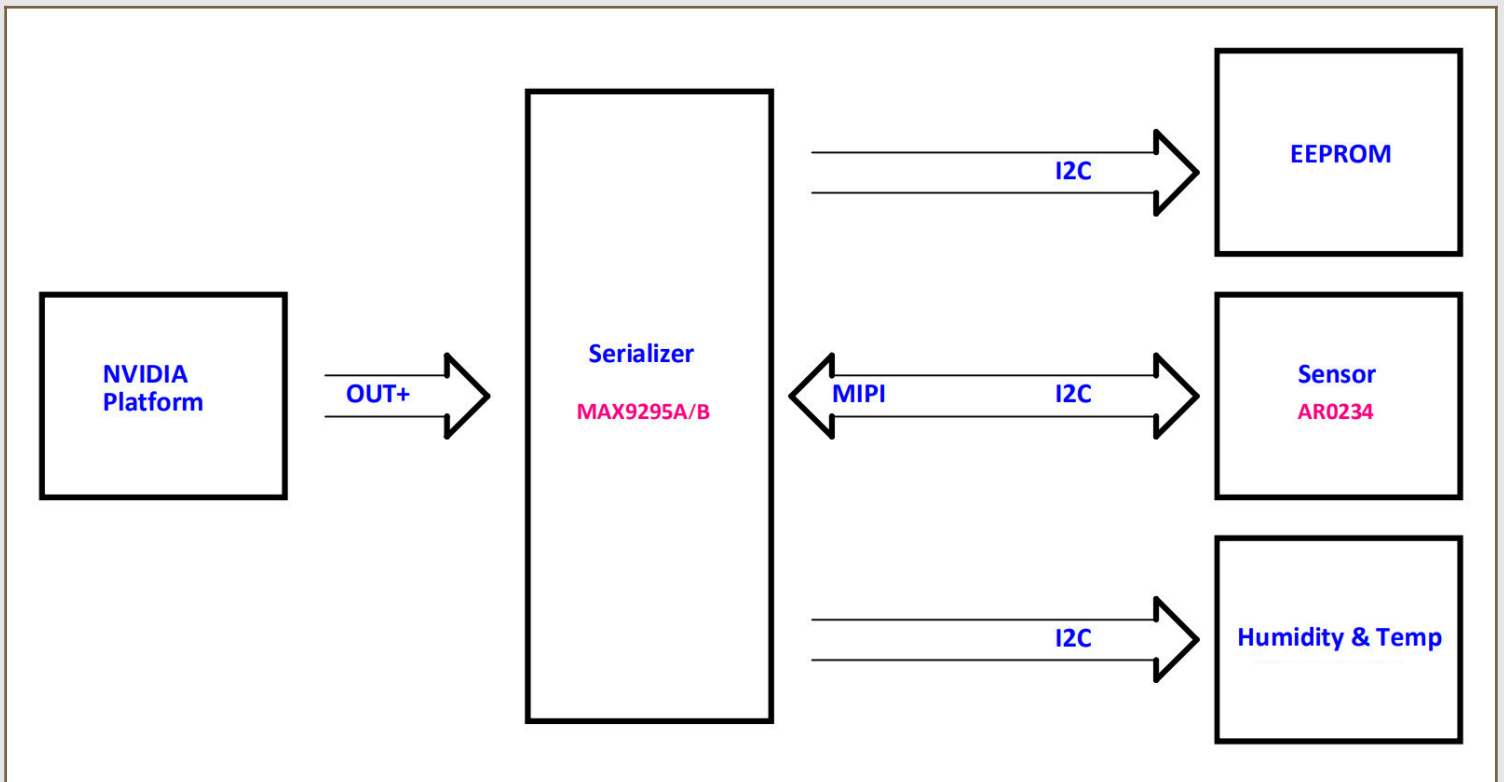
- $\square$  marked are important sizes.
- Tolerance for others unmarked is  $\pm 0.3$  mm.

Unit: mm

# SYSTEM BLOCK DIAGRAM



# POWER BLOCK DIAGRAM



# USB3.0 CAMERA KIT

LI-GMSL2-USB



Top View



Bottom View

LI-AR0234CS-GMSL2-OWL can connect to LI-GMSL2-USB as a USB 3.0 camera.

Part#: **LI-USB30-AR0234CS-GMSL2-OWL**

## SPECIFICATIONS

- USB 3.0 Super Speed support
- UVC compliant
- Global shutter
- Allows customization
- 12 VDC power supply for camera
- Weight: ~ 104 g
- Single Coax Cable transmits up to 12 meters PoC (Power over Cable)
- Resolution: 1920 x 1200 @ 30 fps
- Compatible with Windows, Linux OS and other OS which have UVC drivers

## BOM

| # | Items                 | QTY |
|---|-----------------------|-----|
| 1 | LI-AR0234CS-GMSL2-OWL | 1   |
| 2 | LI-GMSL2-USB          | 1   |
| 3 | 3-Meter Fakra Cable   | 1   |
| 4 | 12 VDC Power Supply   | 1   |
| 5 | USB3.0 Cable          | 1   |



## SDK SUPPORTED

- Camera Tool Source Code in C#
- Capture & Display
- Register Access Function

## REVISION HISTORY

| Revision | Description  | Release Date |
|----------|--|--------------|
| 1.0      | First release.   | 20 May 2021  |
| 1.1      | <ol style="list-style-type: none"><li>1. Replaced 3D images with actual product pictures.</li><li>2. Updated storage temp.</li><li>3. Added IP rating.</li></ol> | 16 May 2023  |

910 Auburn Ct, Fremont, CA 94538, USA

Phone: +1-408-263-0988

Fax: +1-408-217-1960

Email: [sales@leopardimaging.com](mailto:sales@leopardimaging.com)

Website: [www.leopardimaging.com](http://www.leopardimaging.com)

