

EV-T1CCS-M4X20-C - Repair kit



1288247

<https://www.phoenixcontact.com/us/products/1288247>

Please be informed that the data shown in this PDF document is generated from our online catalog. Please find the complete data in the user documentation. Our general terms of use for downloads are valid.



CHARX connect standard, Repair kit, Accessories, with DC contact holder with integrated front part of the DC contacts, CCS type 1, IEC 62196-3, SAE J1772, Screw mounting, housing: black

Your advantages

- Complete product range
- Developed and produced in accordance with the IATF 16949 automotive standard and ISO 9001
- Maintenance-friendly replacement of the mating face frame without draining the coolant

Commercial data

Item number	1288247
Packing unit	1 pc
Minimum order quantity	1 pc
Sales key	EM01
Product key	XWBAFB
GTIN	4063151513351
Weight per piece (including packing)	196.8 g
Weight per piece (excluding packing)	196.8 g
Customs tariff number	85389099
Country of origin	DE

EV-T1CCS-M4X20-C - Repair kit



1288247

<https://www.phoenixcontact.com/us/products/1288247>

Technical data

Product properties

Product type	Repair kit
Product family	CHARX connect standard
Type	Accessories
Design	with DC contact holder with integrated front part of the DC contacts
Technology	Combined Charging System
Charging standard	CCS type 1
Charging mode	Mode 4

Material specifications

Color (Housing)	black (9005)
Material (Housing)	Plastic

Environmental and real-life conditions

Ambient conditions

Ambient temperature (operation)	-30 °C ... 50 °C
Ambient temperature (storage/transport)	-40 °C ... 80 °C

Standards and regulations

Standards

Standards/regulations	IEC 62196-3
	SAE J1772

Mounting

Mounting type	Screw mounting
---------------	----------------

EV-T1CCS-M4X20-C - Repair kit

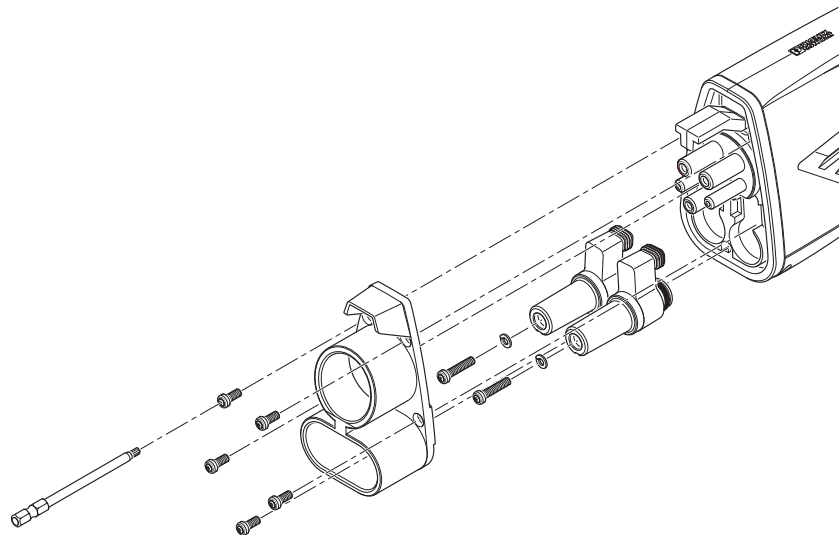
1288247

<https://www.phoenixcontact.com/us/products/1288247>



Drawings

Schematic diagram



Assembly drawing

EV-T1CCS-M4X20-C - Repair kit



1288247

<https://www.phoenixcontact.com/us/products/1288247>

Classifications

ECLASS

ECLASS-11.0	27144792
ECLASS-12.0	27144792
ECLASS-13.0	27144792

ETIM

ETIM 9.0	EC002884
----------	----------

UNSPSC

UNSPSC 21.0	39121500
-------------	----------

EV-T1CCS-M4X20-C - Repair kit



1288247

<https://www.phoenixcontact.com/us/products/1288247>

Environmental product compliance

EU RoHS

Fulfills EU RoHS substance requirements	Yes, No exemptions
---	--------------------

China RoHS

Environment friendly use period (EFUP)	EFUP-10
	An article-related China RoHS declaration table can be found in the download area for the respective article under "Manufacturer declaration". For all articles with EFUP-E, no China RoHS declaration table issued and required.

EU REACH SVHC

REACH candidate substance (CAS No.)	No substance above 0.1 wt%
-------------------------------------	----------------------------

Phoenix Contact 2024 © - all rights reserved

<https://www.phoenixcontact.com>

Phoenix Contact USA
586 Fulling Mill Road
Middletown, PA 17057, United States
(+717) 944-1300
info@phoenixcon.com