



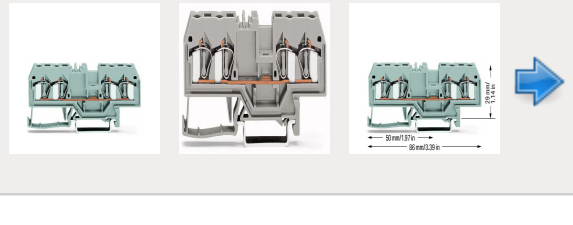
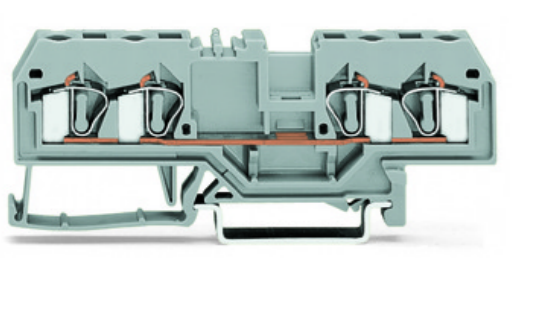
Item (Detail view)

4-conductor through terminal block; 4 mm; center marking; for DIN-rail 35 x 15 and 35 x 7.5; CAGE CLAMP®

Item no.	291-652	GTN / EAN	4044818490354
Content	1 piece	Order unit	piece
Order quantity	50 piece	Increase in order quantity	(50, 100, 150, 200, ...)
Customer item no.		Customs Tariff no.	85369010000
Customs duty for the country of origin	DE	Available	-
List price	On request	Net price	On request
Availability	On request		

Note: Some items may not be available from your local WAGO company. Please note that the quantities ordered in the shopping cart are rounded up to the PU (SPU).

RoHS  Compliant



Article details Approvals Downloads/Certificates Accessories

Description		4-conductor through terminal block; 4 mm; center marking; for DIN-rail 35 x 15 and 35 x 7.5; CAGE CLAMP®	
Remarks			
Item properties	Miscellaneous		
	Name	Value	Unit
	Connection technology	CAGE CLAMP®	
	Actuation type	Operating tool	
	Connectable conductor materials	Copper	
	Solid conductor	0.08 ... 4 mm² / 28 ... 12 AWG	
	Fine-stranded conductor	0.08 ... 4 mm² / 28 ... 12 AWG	
	Strip length	9 ... 10 mm / 0.35 ... 0.39 inch	
	Total number of connection points	4	
	Total number of potentials	1	
	Number of levels	1	
	Type of wiring	Front-entry wiring	
	Width	6 mm / 0.236 in	
	Height from upper edge of DIN-35 rail	29 mm / 1.142 in	
	Depth	86 mm / 3.386 in	
	Design	horizontal	
	Type of mounting	Center rail 35 x 15	
	Marking level	Center marking	
	Color	gray	
	Insulating material	Polyamide 66 (PA 66)	
	Fire load [MJ]	0.203	MJ
	Weight [g]	12.6	g
	Packaging type	BOX	
	[mm]	6	mm
	Main product function	Through term. block	
Product type	Through rail-mount term. blocks		

Upwards