

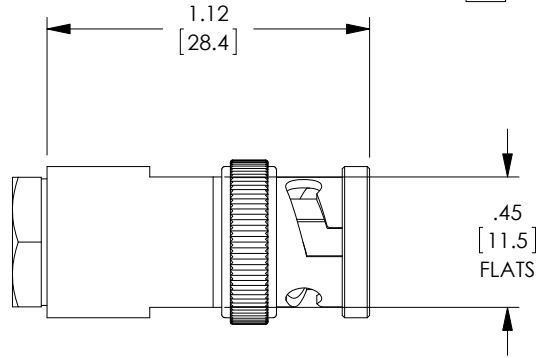
PROPRIETARY NOTICE

This document discloses confidential subject matter in which MilesTek Corporation and its subsidiaries have proprietary rights. Neither receipt nor possession thereof confers or transfers any right to reproduce or disclose the document, any part thereof, any information contained therein, or any physical article or device, or to practice any method or process, except by written permission from, or written agreement with MilesTek Corporation and its subsidiaries.

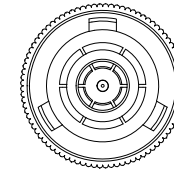
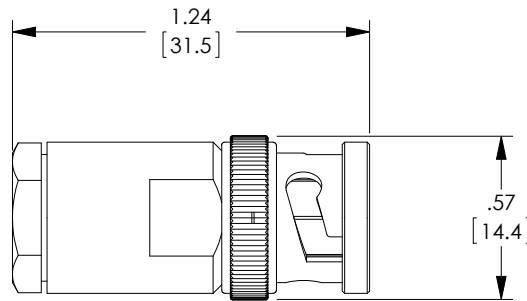
REVISIONS			
REV	DESCRIPTION	DATE	APPROVED
A	INITIAL RELEASE	1/8/16	D.FRISIELLO

10-06030
A

DESCRIPTION	MATERIAL	FINISH
BODY	BRASS	NICKEL PLATE
PIN	BRASS	GOLD PLATE
INNER CONTACT	BRASS	GOLD PLATE
NUT	BRASS	NICKEL PLATE



MODEL NUMBER	CABLE
10-06030-210	30-02001, TWC-78-2, TWC-124-2
10-06030-231	30-02003, TWC-78-1, TWC-124-1A
10-06030-206	M17/176-00002
10-06030-242	30-02002, TWAC-78-1F2
10-06030-227	0024A0024-9X, 10612



NON CONTROLLED DRAWING IF PRINTED

NOTES:
ALL DIMENSIONS ARE FOR REFERENCE ONLY.

REGULATORY COMPLIANCE:
CE2011/65/EU(RoHS DIRECTIVE)

AS9100C CERTIFIED			CAD SYSTEM DRAWING - DO NOT REVISE MANUALLY			
UNLESS OTHERWISE SPECIFIED ALL DIMENSIONS ARE IN INCHES			SIGNATURE	DATE	 MILESTEK CORPORATION 1506 INTERSTATE 35 WEST DENTON, TX 76207 PHONE: 866.524.1553 FAX: 940.591.7086	
OVERALL CABLE LENGTH TOLERANCE: ≤12 [305] = +1 [25] / -0 >12 [305] ≤60 [1524] = +2 [51] / -0 >60 [1524] ≤120 [3048] = +4 [102] / -0 >120 [3048] ≤300 [7620] = +6 [152] / -0 >300 [7620] = +5% / -0%			DRAWN BY: D.FRISIELLO	1/8/16		
ALL OTHER DIMENSIONAL TOLERANCES: .X = ±.2 [5.08] .XX = ±.02 [5.1] .XXX = ±.005 [13]			CHECKED BY: M.HEARN	1/8/16	TITLE PLUG SOLD TWN 3-SLOT	
CUSTOMER REFERENCE DOCUMENT:			APPROVED ENGINEERING: M.HEARN	1/8/16		
DASH	NEXT ASSY	USED ON	CUSTOMER APPROVAL		SIZE A	
APPLICATION			CAGE CODE: 42977		DRAWING NUMBER: 10-06030	
					SCALE: NTS	
					SHEET 1 OF 1	