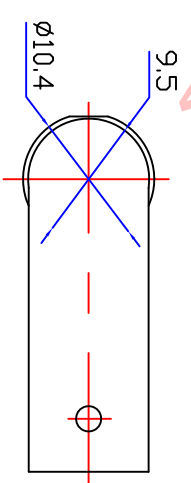
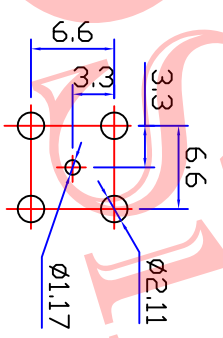
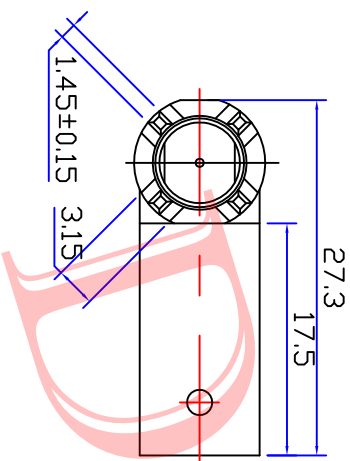
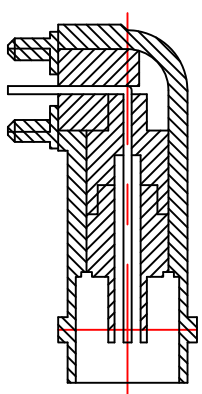
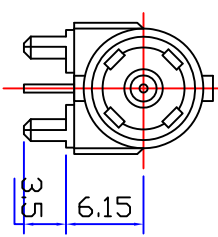
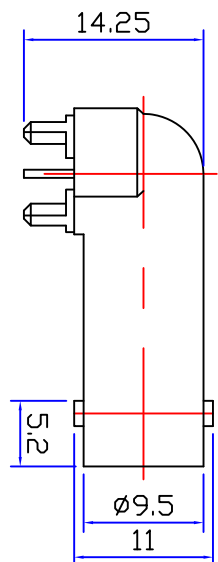




|             |             |                |            |           |
|-------------|-------------|----------------|------------|-----------|
| Product NO. |             | DOSIN-801-0051 |            |           |
| REV         | DESCRIPTION | DWN            | DATE       | APPROVEN  |
| A           | First issue | JJM            | 2012/11/02 | John kine |



PCB HOLE CONFIGURATION  
RECOMMENDED PANEL CUTOUTS

### Specifications

Impedance: 75 Ohms  
 Frequency Range: DC~3G  
 VSWR: 1.3MAX  
 Working Voltage: 500V rms @ sea level  
 Insulation Resistance: 5000 Ohms min  
 Temperature Range: -55°C TO +155°C  
 Relative Temperature: ≤95% (40°C ± 2°C)  
 Drawings products are in line with ROHS standards

|    |             |          |        |     |
|----|-------------|----------|--------|-----|
| 3  | BDDY        | ZINC     | NICKEL | 1   |
| 2  | INSULATOR   | PDM      | WHITE  | 1   |
| 1  | PIN         | BRASS    | GOLD   | 1   |
| NO | DESCRIPTION | MATERIAL | FINISH | QTY |

|           |             |            |       |
|-----------|-------------|------------|-------|
| NOTE:     |             | Tolerance  |       |
| DRAWN     | Zelin Zhang | 2012/11/10 | View  |
| CHECKED   |             |            | UNIT  |
| APPROVALS | John        | 12/04.2012 | SCALE |

|                            |             |                       |                |
|----------------------------|-------------|-----------------------|----------------|
| Name:                      |             | BNC CONNECTOR DNN     |                |
| SIZE                       | Product NO. | DATE                  | Product NO.    |
| A                          |             | 2012/11/02            | DOSIN-801-0051 |
| Date                       |             | CAD FILE              |                |
| 2012/11/02                 |             | D/company drawings/BD |                |
| E-mail: dosin_2005@163.com |             | SHEET: 1 OF 1         |                |
| dosin2005@doshn-china.com  |             | REV B                 |                |
| Web: http://www.doshn.com  |             |                       |                |
| TEL: (0086) 769-81153906   |             |                       |                |
| FAX: (0086) 769-81875836   |             |                       |                |

DOSHIN  
DOSHIN-801-0051