

NOTES:

1. REPRESENTS A CRITICAL DIMENSION.
2. NOTE DELETED.
3. PARTS TO BE PACKED IN TRAYS.
4. ALL PARTS ARE RoHS COMPLIANT WITH OR WITHOUT -R.
5. PANTONE 2028C COLOR APPLIES TO SAMTEC RECEIVED PRODUCT ONLY. SAMTEC SHIPPED PRODUCT MAY VARY IN COLOR.

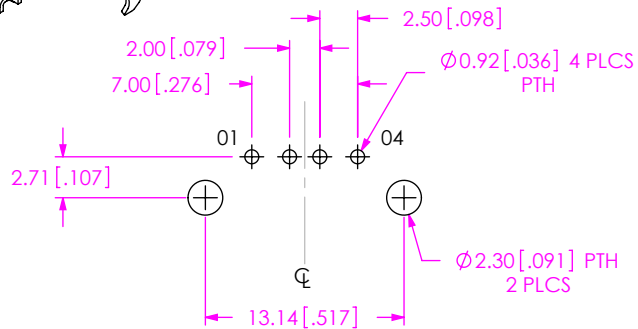
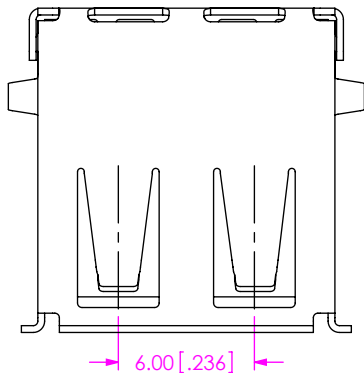
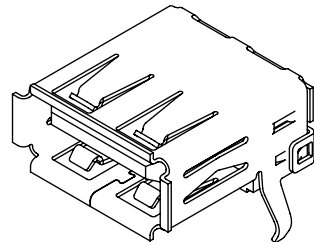
**DESIGNED & DIMENSIONED  
IN MILLIMETERS[INCHES]**

**USBR-A-S-X-X-TH-X**

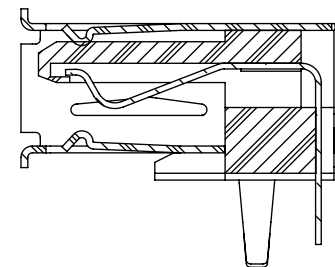
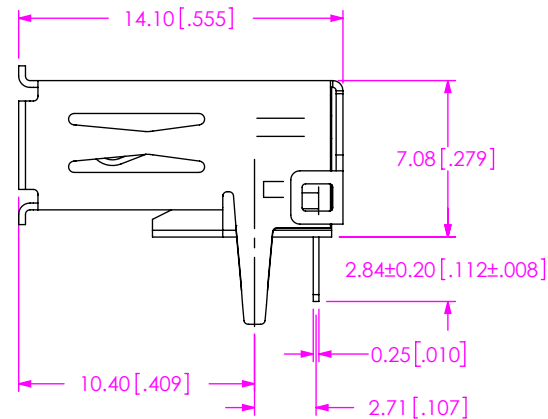
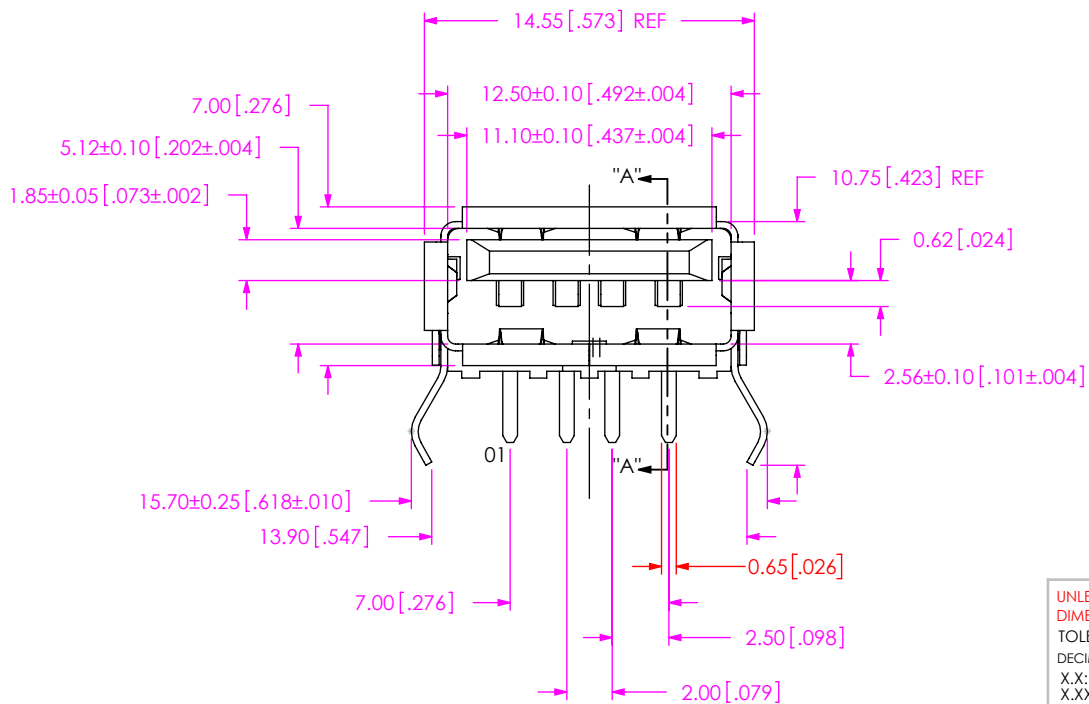
DO NOT  
SCALE FROM  
THIS PRINT

- TYPE  
-A
- CONFIGURATION  
-S:SINGLE
- E & I OPTION  
-R: RoHS COMPLIANT  
(ONLY AVAILABLE TO  
EXISTING CUSTOMERS)
- TERMINATION  
-TH:RIGHT ANGLE OPEN BLACK
- COLOR  
-O:ORANGE

- PLATING  
-S: 30µ" SELECTIVE GOLD ON CONTACT AREA  
MATTE TIN IN TAIL  
-F: 1µ" FLASH GOLD ON CONTACT AREA.  
MATTE TIN IN TAIL



PCB LAYOUT



SECTION "A"- "A"  
SCALE 3 : 1

UNLESS OTHERWISE SPECIFIED,  
DIMENSIONS ARE IN MILLIMETERS.  
TOLERANCES ARE:  
DECIMALS ANGLES  
X.X: ±0.3 [.01] 2°  
X.XX: ±0.13 [.005]  
X.XXX: ±0.051 [.0020]

PROPRIETARY NOTE  
THIS DOCUMENT CONTAINS CONFIDENTIAL AND  
PROPRIETARY INFORMATION AND ALL DESIGN,  
MANUFACTURING, REPRODUCTION, USE, PATENT RIGHTS  
AND SALES RIGHTS ARE EXPRESSLY RESERVED BY SAMTEC,  
INC. THIS DOCUMENT SHALL NOT BE DISCLOSED, IN WHOLE  
OR PART, TO ANY UNAUTHORIZED PERSON OR ENTITY NOR  
REPRODUCED, TRANSFERRED OR INCORPORATED IN ANY  
OTHER PROJECT IN ANY MANNER WITHOUT THE EXPRESS  
WRITTEN CONSENT OF SAMTEC, INC.

MATERIAL: DO NOT SCALE DRAWING SHEET SCALE: 3:1  
INSULATOR: INSULATOR: PA9T GLASS FILLED UL94-V0,  
COLOR: PANTONE 2028C (SEE NOTE 5)  
CONTACT : PHOS BRONZE  
SHELL: BRASS,NICKEL PLATED  
MAX FLASH ALLOWED: .05[.002]  
MAX GATE VESTIGE: .05[.002]  
F:\DWG\MISC\MKTG\USBR-A-S-X-X-TH-X-MKT.SLDDRW

DESCRIPTION:  
USB TYPE A CONNECTOR  
DWG. NO. USBR-A-S-X-X-TH-X  
BY: STEVEN XU 26/02/2008 SHEET 1 OF 1



520 PARK EAST BLVD, NEW ALBANY, IN 47150  
PHONE: 812-944-6733 FAX: 812-948-5047  
e-Mail info@SAMTEC.com code 55322