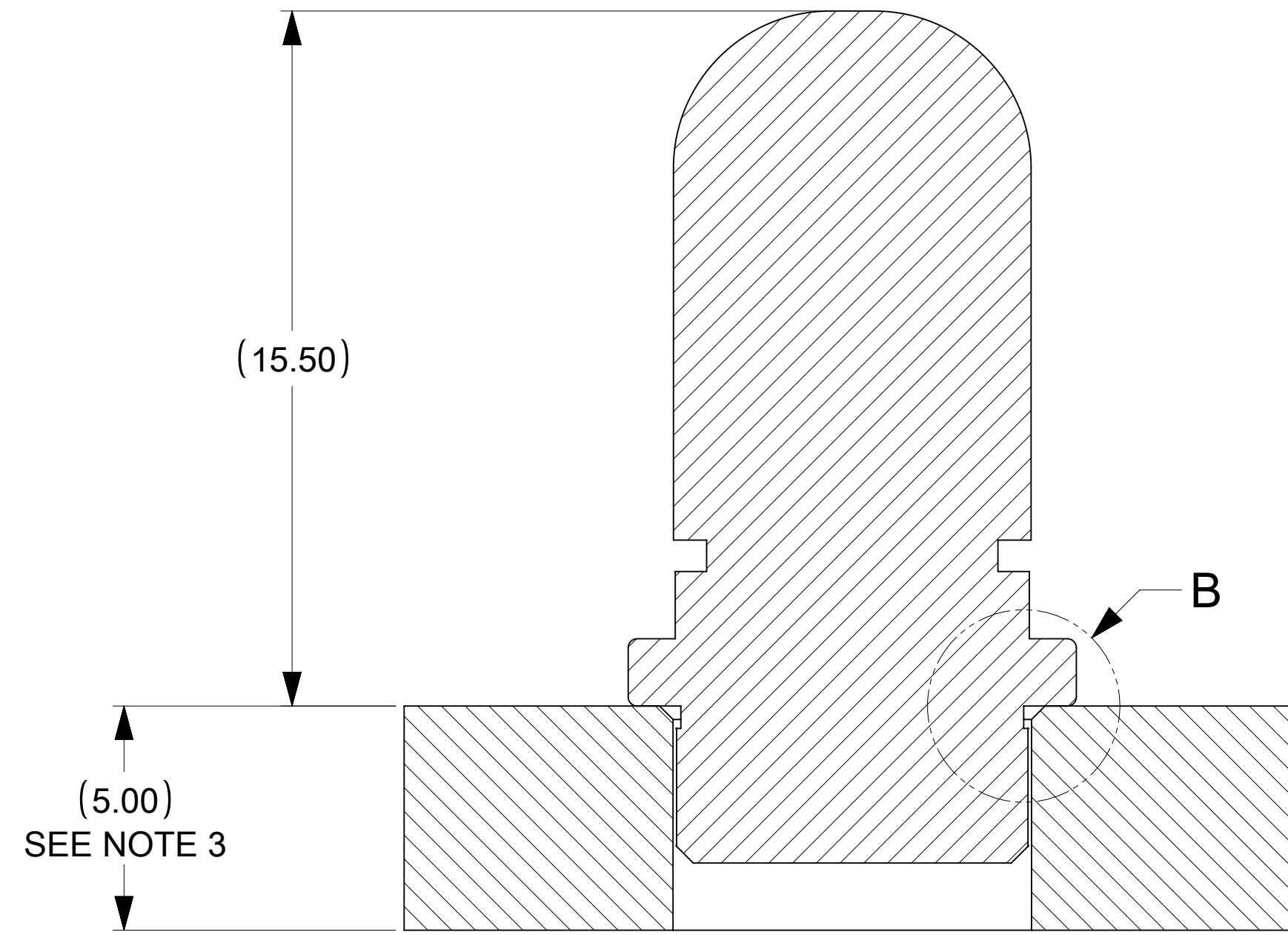
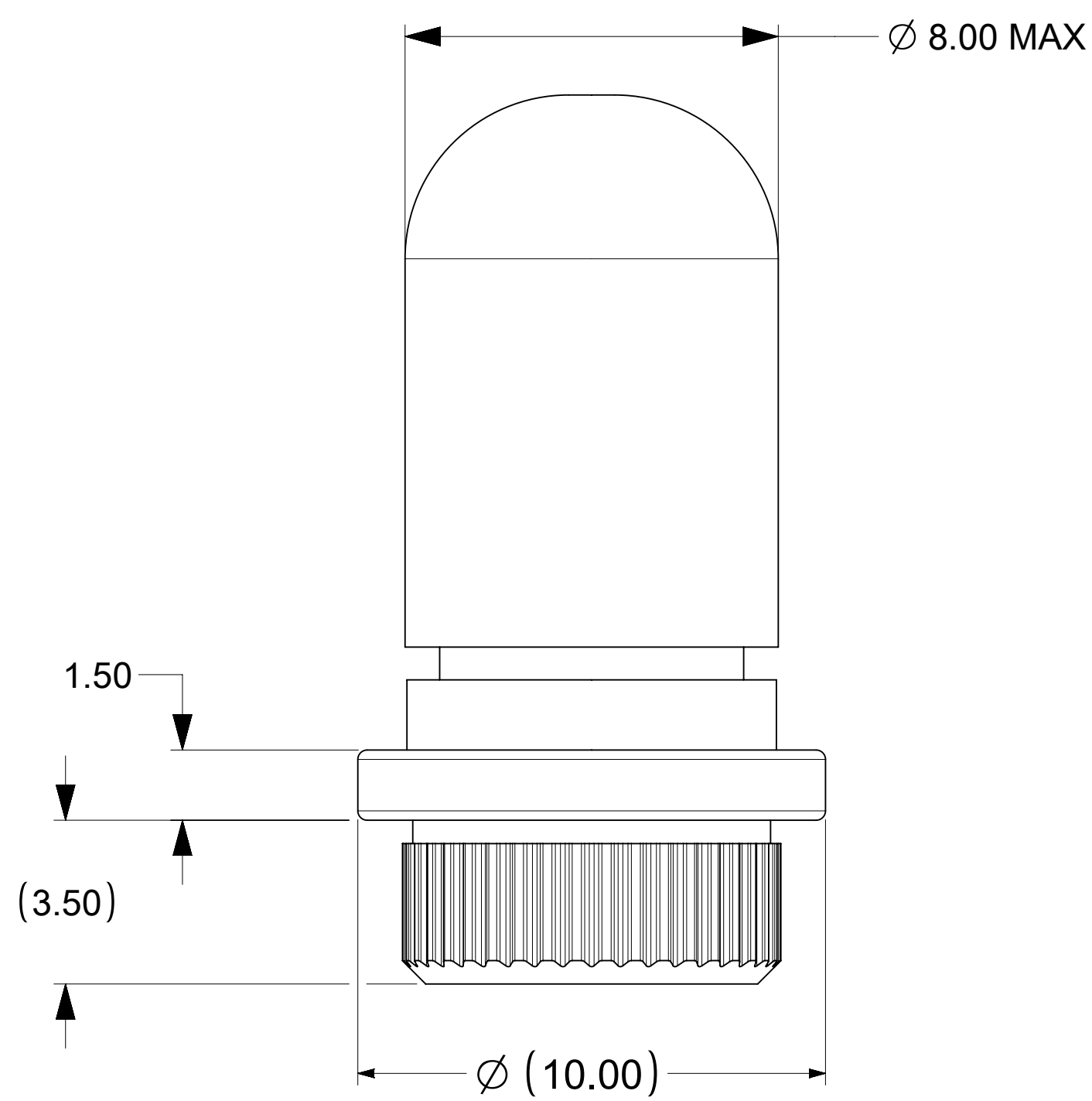
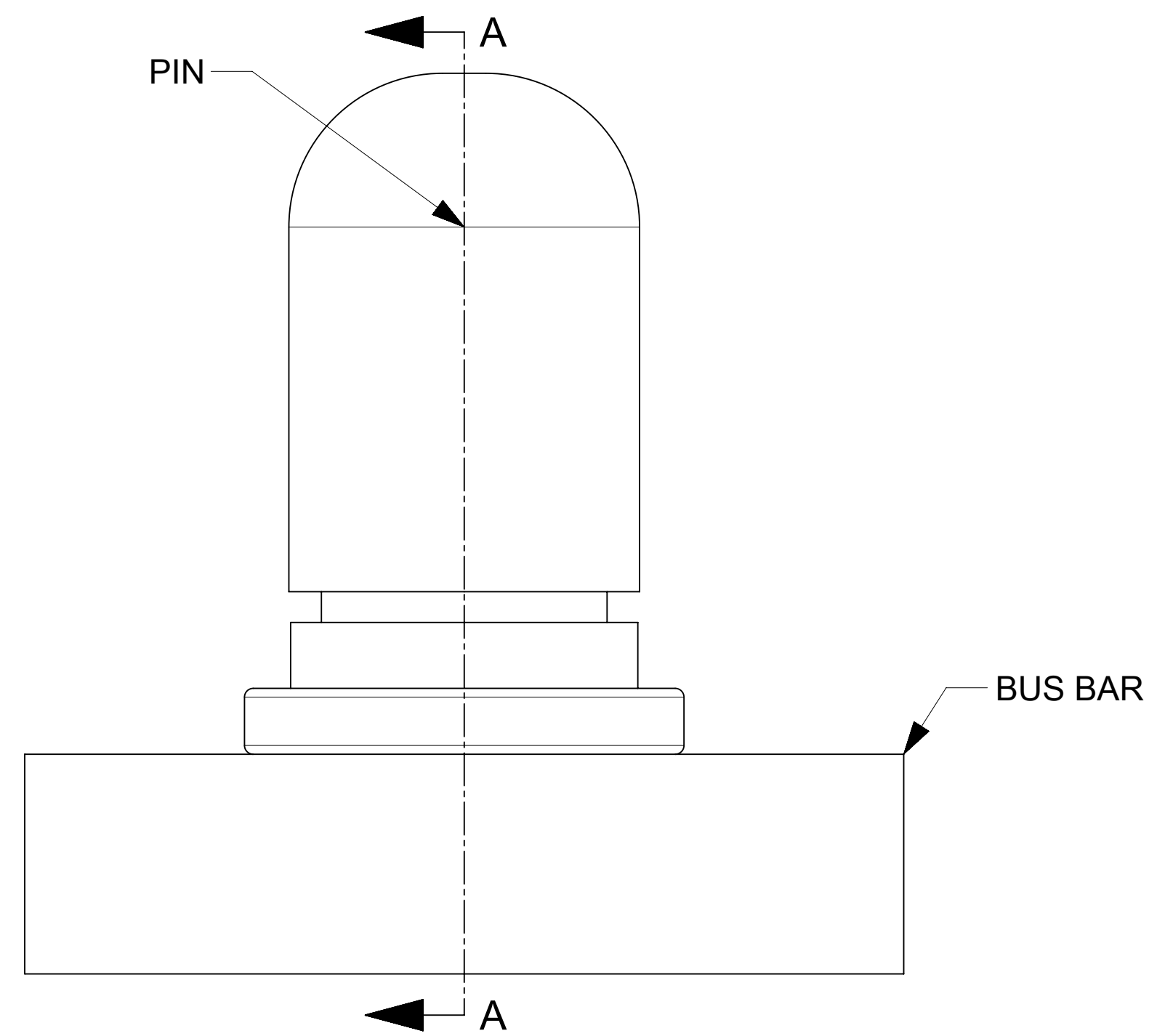
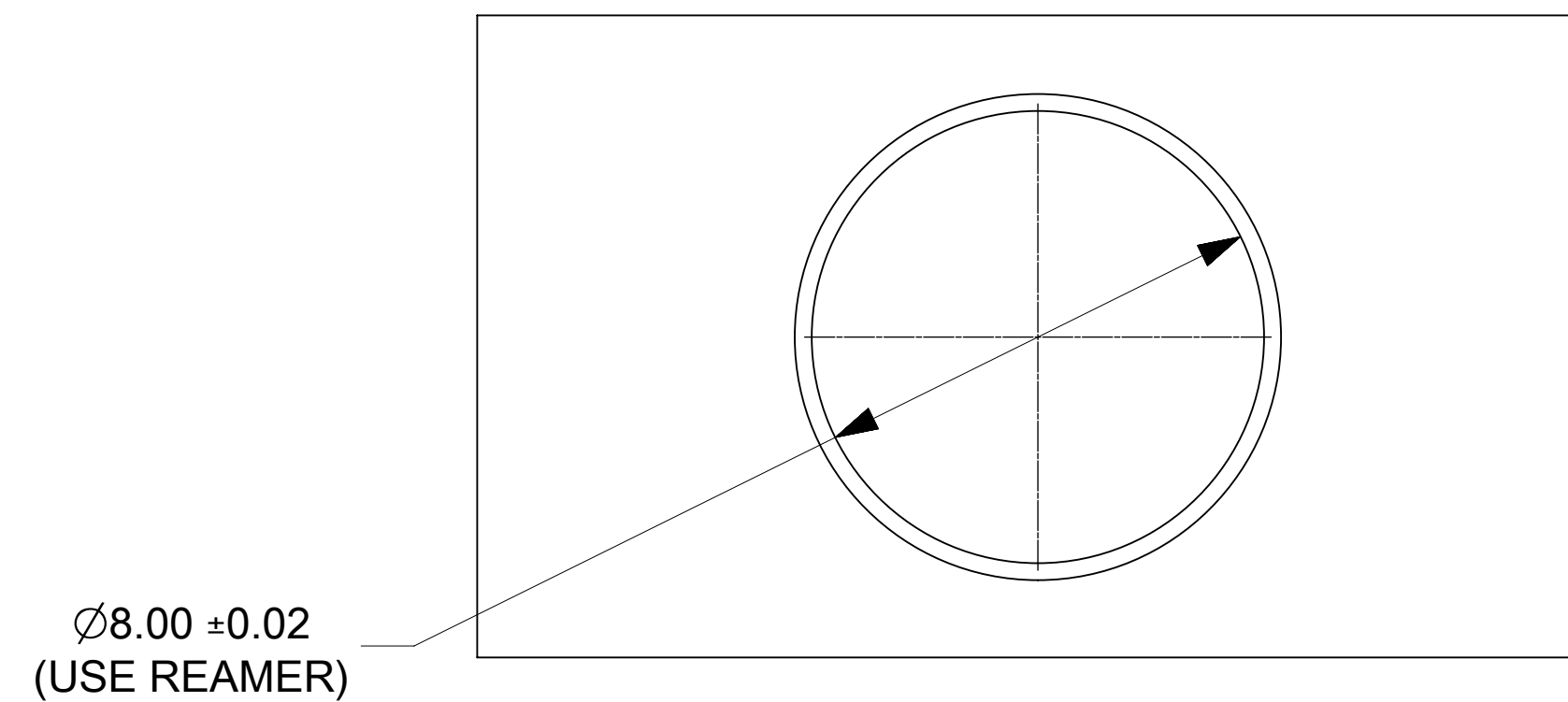
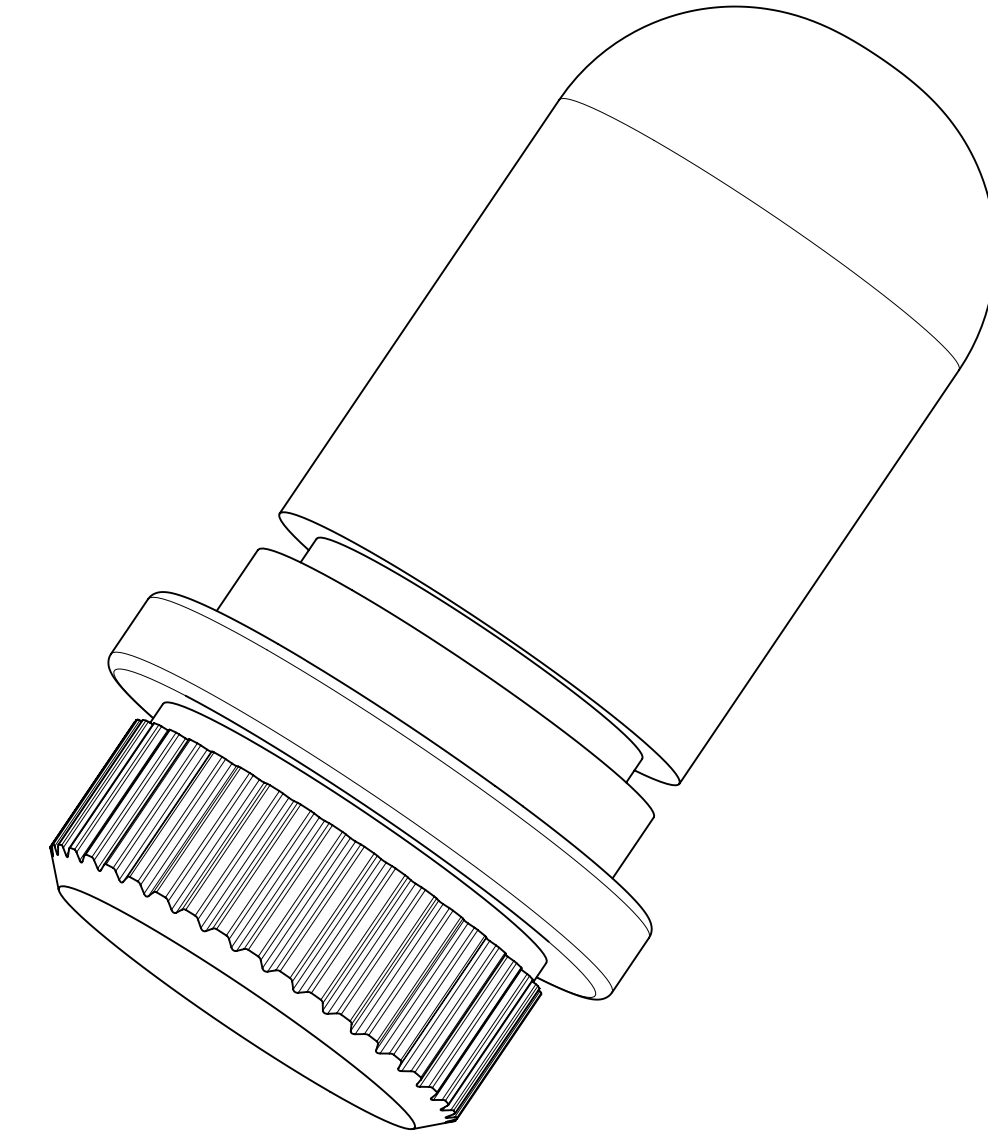


DETAIL B
SCALE 20:1



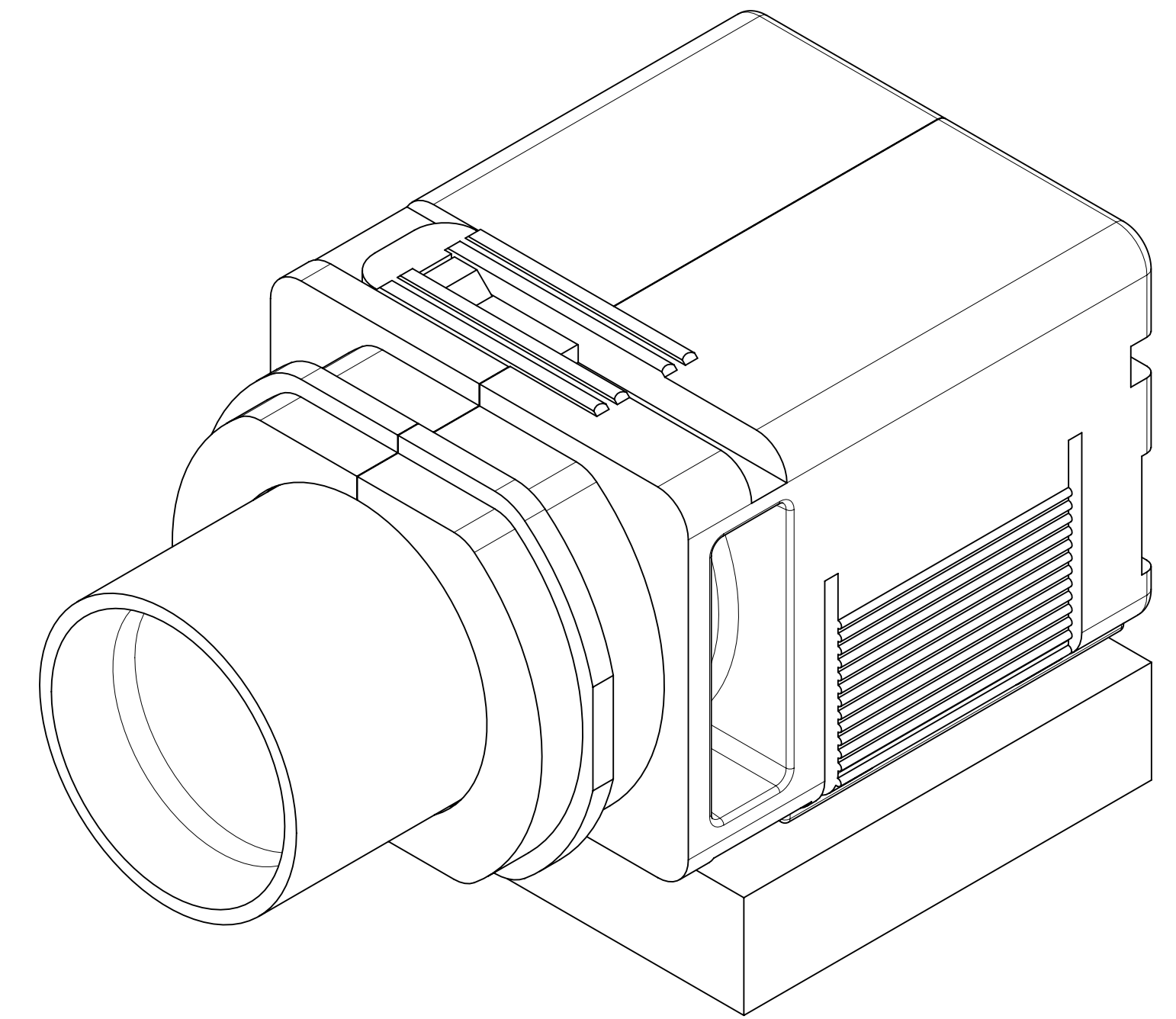
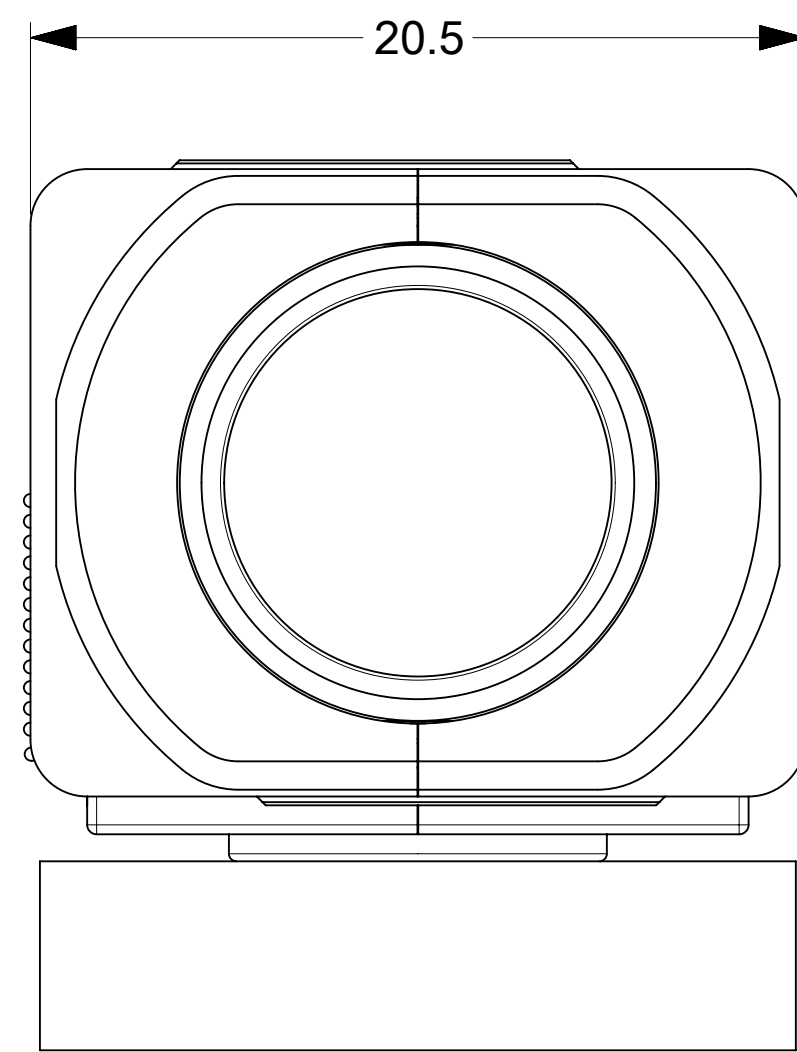
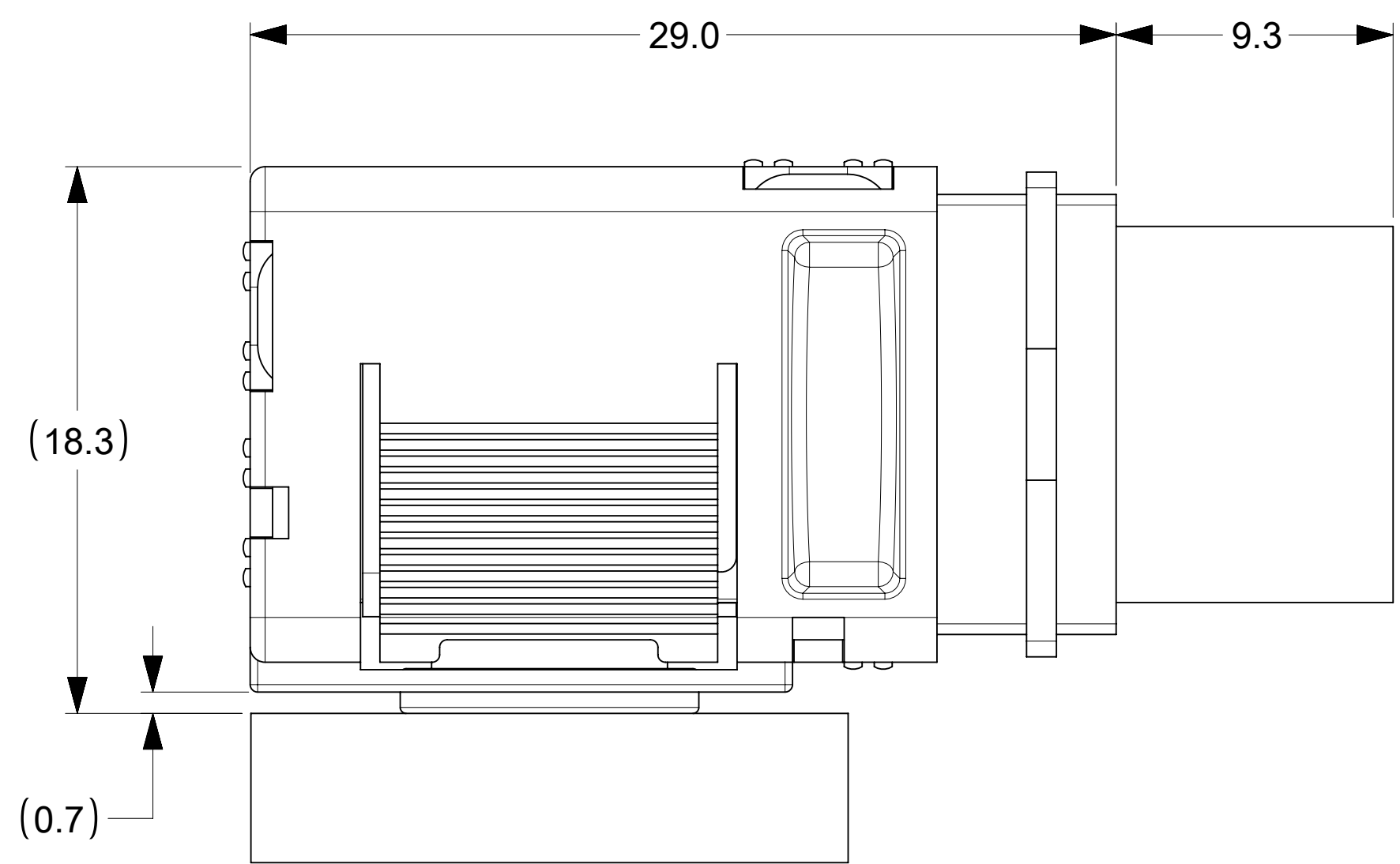
SECTION A-A




NOTES:

- MATERIALS:
BASE METAL: HIGH CONDUCTIVE COPPER ALLOY
PLATING ON BODY: 3.18 MICRON MIN SILVER OVER 1.27 MICRON MIN NICKEL
- SILVER COMPONENTS WILL BE SUPPLIED TARNISH FREE
BUT MAY TARNISH OVER TIME.
- MINIMUM RECOMMENDED BUSBAR THICKNESS IS 1.5MM
- PRODUCT SPECIFICATION: 2169400001-PS
- APPLICATION SPECIFICATION: 2169400001-AS
- PACKAGING SPECIFICATION: BULK PACKAGING AS PER 2183350001-PK

THIS DRAWING CONTAINS INFORMATION THAT IS PROPRIETARY TO MOLEX ELECTRONIC TECHNOLOGIES, LLC AND SHOULD NOT BE USED WITHOUT WRITTEN PERMISSION									
DIMENSION UNITS	SCALE	CURRENT REV DESC: ADDED MATED VIEWS SHOWING DIMENSIONS							
mm	8:1								
GENERAL TOLERANCES (UNLESS SPECIFIED)					8MM SW1 PRESS-FIT LOCKING PIN				
ANGULAR TOL	± 0.5°								
4 PLACES	±	EC NO: 767106			PRODUCT CUSTOMER DRAWING				
3 PLACES	±	DRWN: SACHIK7	2023/10/12						
2 PLACES	± 0.15	CHK'D: GSHARMA	2023/10/26		DOCUMENT NUMBER: 2169390001 DOC TYPE: PSD DOC PART: 000 REVISION: A1				
1 PLACE	± 0.25	APPR: HTHYAGARAJ	2023/10/27						
0 PLACES	±	INITIAL REVISION:			MATERIAL NUMBER: 2169390001 CUSTOMER: GENERAL MARKET SHEET NUMBER: 1 OF 2				
DRAFT WHERE APPLICABLE MUST REMAIN WITHIN DIMENSIONS		DRWN: SREENA1	2023/03/16						
		APPR: HTHYAGARAJ	2023/03/20						
		THIRD ANGLE PROJECTION	DRAWING	SERIES					
			D-SIZE	216939					



NOTE: MATED DIMENSIONS

THIS DRAWING CONTAINS INFORMATION THAT IS PROPRIETARY TO MOLEX ELECTRONIC TECHNOLOGIES, LLC AND SHOULD NOT BE USED WITHOUT WRITTEN PERMISSION									
DIMENSION UNITS	SCALE	CURRENT REV DESC: ADDED MATED VIEWS SHOWING DIMENSIONS							
mm	5:1								
GENERAL TOLERANCES (UNLESS SPECIFIED)					PRODUCT CUSTOMER DRAWING				
ANGULAR TOL	± 0.5°								
4 PLACES	±				INITIAL REVISION: DRWN: SREENA1 2023/03/16 APPR: HTHYAGARAJ 2023/03/20				
3 PLACES	±								
2 PLACES	± 0.15				DRAFT WHERE APPLICABLE MUST REMAIN WITHIN DIMENSIONS				
1 PLACE	± 0.25								
0 PLACES	±				D-SIZE 216939 MATERIAL NUMBER: 2169390001 CUSTOMER: GENERAL MARKET SHEET NUMBER: 2 OF 2				
DOCUMENT STATUS		P1	RELEASE DATE	2023/10/27 06:51:11					