



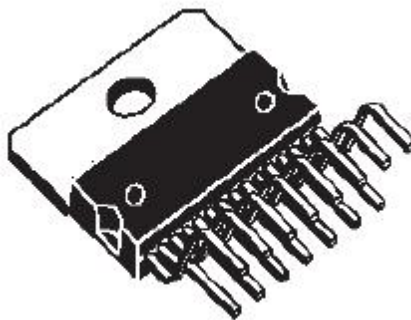
一、概述

L298N是一款高压大电流双路全桥驱动器电路。该电路可用标准TTL电平驱动，用于继电器、电磁阀、直流电机、步进电机等感性负载的驱动控制。

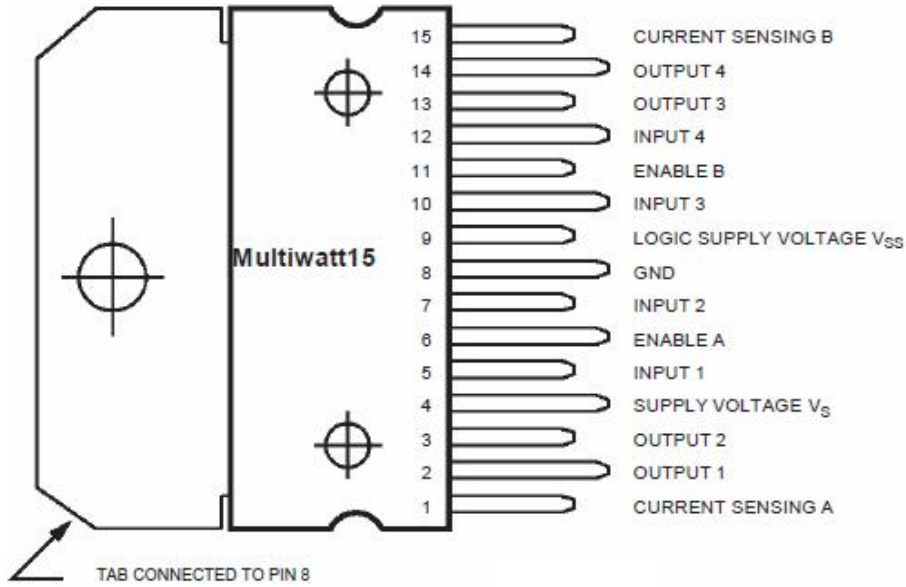
二、特点

- 1、 工作电压高达 46V
- 2、 总直流电流高达 3A
- 3、 低饱和压降
- 4、 低电平高至 1.5V，抗干扰能力强
- 5、 逻辑电源与驱动电源相互独立

L298N采用 15 线 Multiwatt(ZIP-15)功率封装。



L298N外观

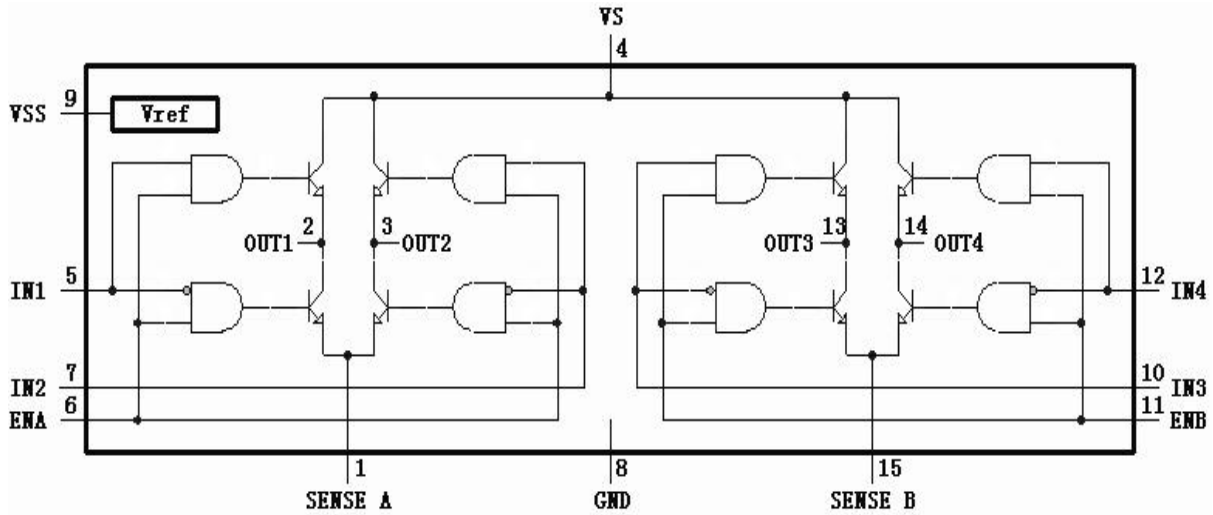


MW.15	Name	Function
1;15	Sense A; Sense B	Between this pin and ground is connected the sense resistor to control the current of the load.
2;3	Out 1; Out 2	Outputs of the Bridge A; the current that flows through the load connected between these two pins is monitored at pin 1.
4	V_S	Supply Voltage for the Power Output Stages. A non-inductive 100nF capacitor must be connected between this pin and ground.
5;7	Input 1; Input 2	TTL Compatible Inputs of the Bridge A.
6;11	Enable A; Enable B	TTL Compatible Enable Input: the L state disables the bridge A (enable A) and/or the bridge B (enable B).
8	GND	Ground.
9	VSS	Supply Voltage for the Logic Blocks. A100nF capacitor must be connected between this pin and ground.
10; 12	Input 3; Input 4	TTL Compatible Inputs of the Bridge B.
13; 14	Out 3; Out 4	Outputs of the Bridge B. The current that flows through the load connected between these two pins is monitored at pin 15.
-	N.C.	Not Connected

L298N管脚及定义



四、 功能框图



L298N功能框图

五、 电参数表

Symbol	Parameter	Test Conditions	Min.	Typ.	Max.	Unit
V_S	Supply Voltage (pin 4)	Operative Condition	$V_{IH} + 2.5$		46	V
V_{SS}	Logic Supply Voltage (pin 9)		4.5	5	7	V
I_S	Quiescent Supply Current (pin 4)	$V_{en} = H; I_L = 0$ $V_i = L$ $V_i = H$		13 50	22 70	mA mA
I_{SS}	Quiescent Current from V_{SS} (pin 9)	$V_{en} = H; I_L = 0$ $V_i = L$ $V_i = H$ $V_{en} = L$ $V_i = X$		24 7	36 12	mA mA
V_{iL}	Input Low Voltage (pins 5, 7, 10, 12)		-0.3		1.5	V
V_{iH}	Input High Voltage (pins 5, 7, 10, 12)		2.3		V_{SS}	V
i_{iL}	Low Voltage Input Current (pins 5, 7, 10, 12)	$V_i = L$			-10	μA
i_{iH}	High Voltage Input Current (pins 5, 7, 10, 12)	$V_i = H \leq V_{SS} - 0.6V$		30	100	μA
$V_{en} = L$	Enable Low Voltage (pins 6, 11)		-0.3		1.5	V
$V_{en} = H$	Enable High Voltage (pins 6, 11)		2.3		V_{SS}	V
$I_{en} = L$	Low Voltage Enable Current (pins 6, 11)	$V_{en} = L$			-10	μA
$I_{en} = H$	High Voltage Enable Current (pins 6, 11)	$V_{en} = H \leq V_{SS} - 0.6V$		30	100	μA
$V_{CEsat(H)}$	Source Saturation Voltage	$I_L = 1A$ $I_L = 2A$	0.95	1.35 2	1.7 2.7	V V
$V_{CEsat(L)}$	Sink Saturation Voltage	$I_L = 1A$ $I_L = 2A$	0.85	1.2 1.7	1.6 2.3	V V
V_{CEsat}	Total Drop	$I_L = 1A$ $I_L = 2A$	1.80		3.2 4.9	V V
V_{sens}	Sensing Voltage (pins 1, 15)		-1		2	V



六、应用指南

1、功率输出

L298N包含两组功率输出，每组输出均为全桥方式，均可驱动共模或差模方式的感性负载，由输入信号的组合方式控制。外接的电流检测电阻 **RSA**、**RSB** 可检测负载电流并提供给控制系统进行判断、分析。

2、输入控制

所有的输入控制端均与 TTL 电平兼容。

3、电源去耦

建议 **VSS** 端和 **VS** 端对地均连接以 100nF 电容，且尽可能靠近地端。电流检测电阻也应尽量靠近地端，以提高检测精度。关断和开启前均应使 **EN** 端处于 L 状态。

4、输出保护

应选用快速二极管作为驱动感性负载时的输出保护，要求 $I = 2\text{ A}$ 时， $V_F \leq 1.2\text{ V}$ ， $t_{rr} \leq 200\text{ ns}$ 。

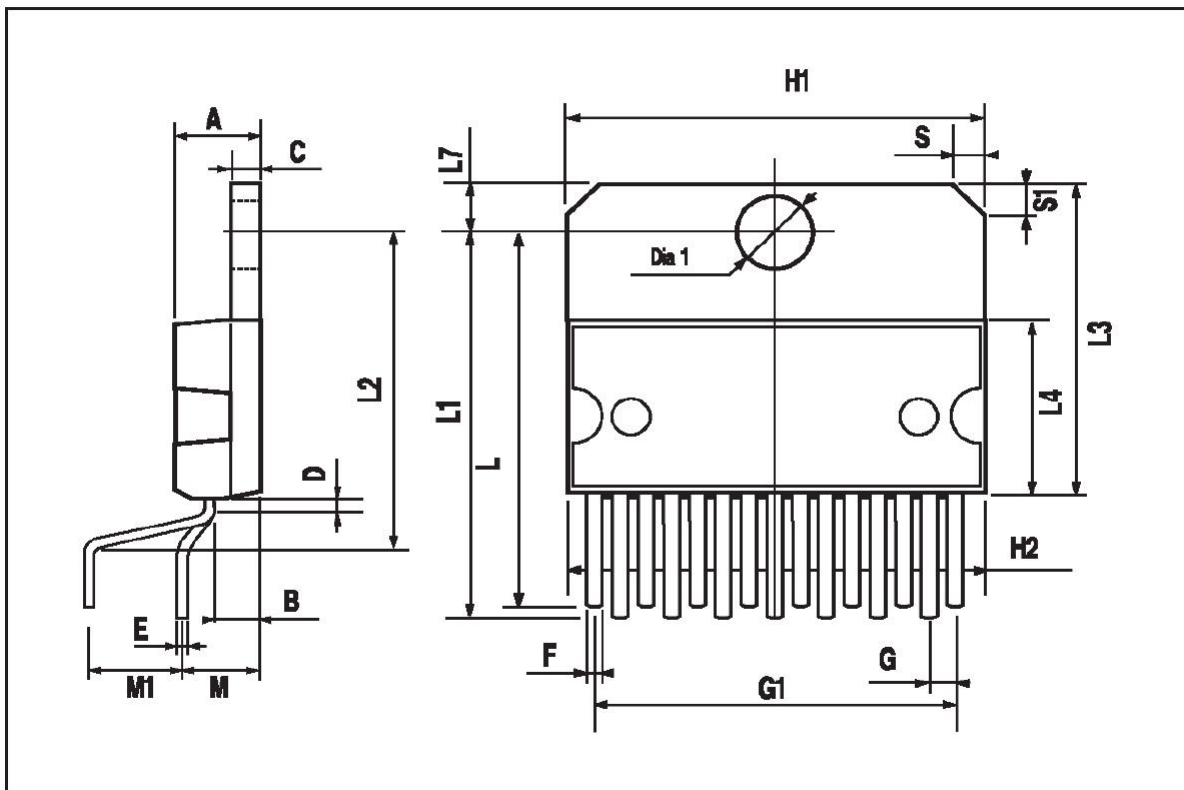
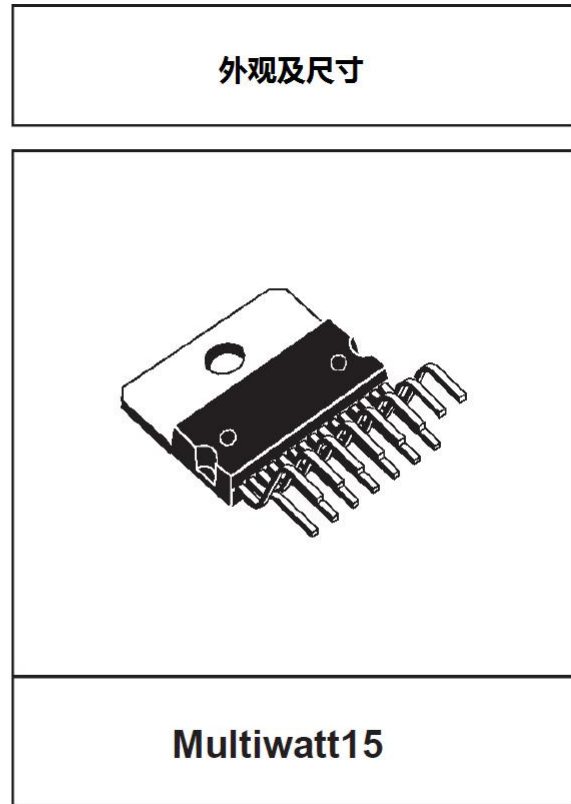
5、并联使用

当驱动电流大于 2A 时，可用两组并联进行电流扩展。



七、外观尺寸

DIM.	mm			inch		
	MIN.	TYP.	MAX.	MIN.	TYP.	MAX.
A			5			0.197
B			2.65			0.104
C			1.6			0.063
D		1			0.039	
E	0.49		0.55	0.019		0.022
F	0.66		0.75	0.026		0.030
G	1.02	1.27	1.52	0.040	0.050	0.060
G1	17.53	17.78	18.03	0.690	0.700	0.710
H1	19.6			0.772		
H2			20.2			0.795
L	21.9	22.2	22.5	0.862	0.874	0.886
L1	21.7	22.1	22.5	0.854	0.870	0.886
L2	17.65		18.1	0.695		0.713
L3	17.25	17.5	17.75	0.679	0.689	0.699
L4	10.3	10.7	10.9	0.406	0.421	0.429
L7	2.65		2.9	0.104		0.114
M	4.25	4.55	4.85	0.167	0.179	0.191
M1	4.63	5.08	5.53	0.182	0.200	0.218
S	1.9		2.6	0.075		0.102
S1	1.9		2.6	0.075		0.102
Dia1	3.65		3.85	0.144		0.152





Attention

- Any and all HUA XUAN YANG ELECTRONICS products described or contained herein do not have specifications that can handle applications that require extremely high levels of reliability, such as life-support systems, aircraft's control systems, or other applications whose failure can be reasonably expected to result in serious physical and/or material damage. Consult with your HUA XUAN YANG ELECTRONICS representative nearest you before using any HUA XUAN YANG ELECTRONICS products described or contained herein in such applications.
- HUA XUAN YANG ELECTRONICS assumes no responsibility for equipment failures that result from using products at values that exceed, even momentarily, rated values (such as maximum ratings, operating condition ranges, or other parameters) listed in products specifications of any and all HUA XUAN YANG ELECTRONICS products described or contained herein.
- Specifications of any and all HUA XUAN YANG ELECTRONICS products described or contained herein stipulate the performance, characteristics, and functions of the described products in the independent state, and are not guarantees of the performance, characteristics, and functions of the described products as mounted in the customer's products or equipment. To verify symptoms and states that cannot be evaluated in an independent device, the customer should always evaluate and test devices mounted in the customer's products or equipment.
- HUA XUAN YANG ELECTRONICS CO.,LTD. strives to supply high-quality high-reliability products. However, any and all semiconductor products fail with some probability. It is possible that these probabilistic failures could give rise to accidents or events that could endanger human lives, that could give rise to smoke or fire, or that could cause damage to other property. When designing equipment, adopt safety measures so that these kinds of accidents or events cannot occur. Such measures include but are not limited to protective circuits and error prevention circuits for safe design, redundant design, and structural design.
- In the event that any or all HUA XUAN YANG ELECTRONICS products(including technical data, services) described or contained herein are controlled under any of applicable local export control laws and regulations, such products must not be exported without obtaining the export license from the authorities concerned in accordance with the above law.
- No part of this publication may be reproduced or transmitted in any form or by any means, electronic or mechanical, including photocopying and recording, or any information storage or retrieval system, or otherwise, without the prior written permission of HUA XUAN YANG ELECTRONICS CO.,LTD.
- Information (including circuit diagrams and circuit parameters) herein is for example only ; it is not guaranteed for volume production. HUA XUAN YANG ELECTRONICS believes information herein is accurate and reliable, but no guarantees are made or implied regarding its use or any infringements of intellectual property rights or other rights of third parties.
- Any and all information described or contained herein are subject to change without notice due to product/technology improvement, etc. When designing equipment, refer to the "Delivery Specification" for the HUA XUAN YANG ELECTRONICS product that you intend to use.