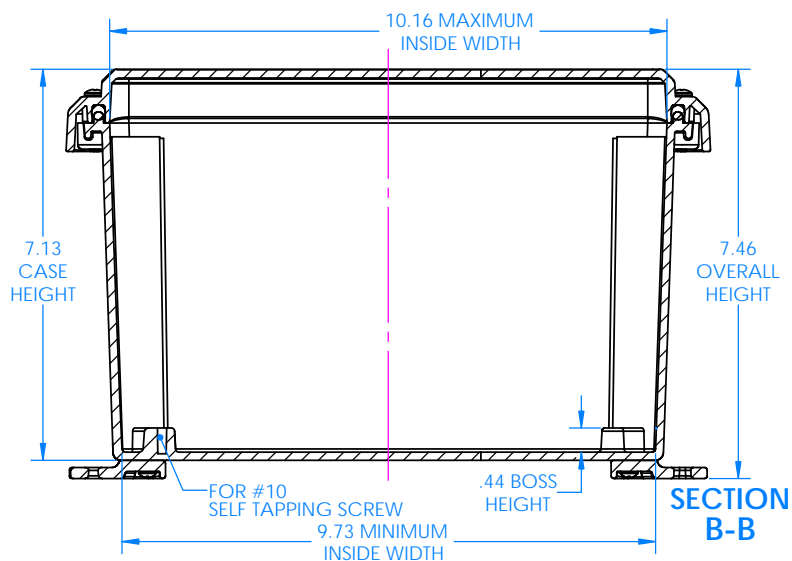
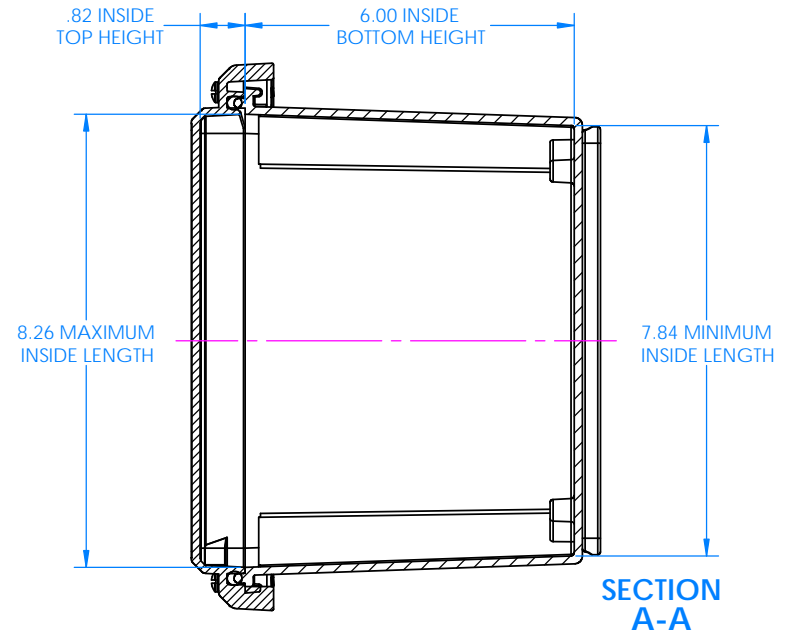
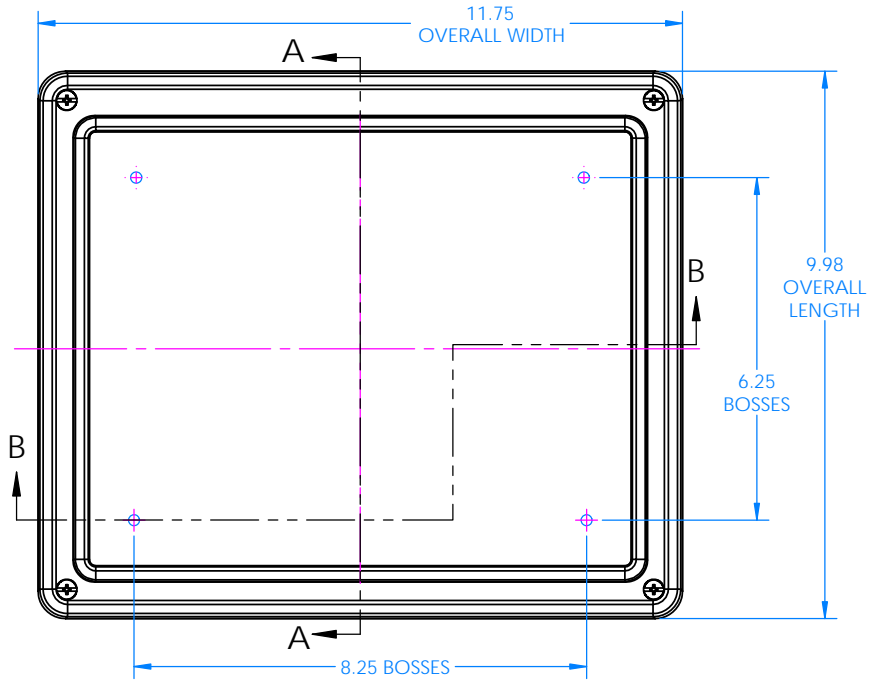
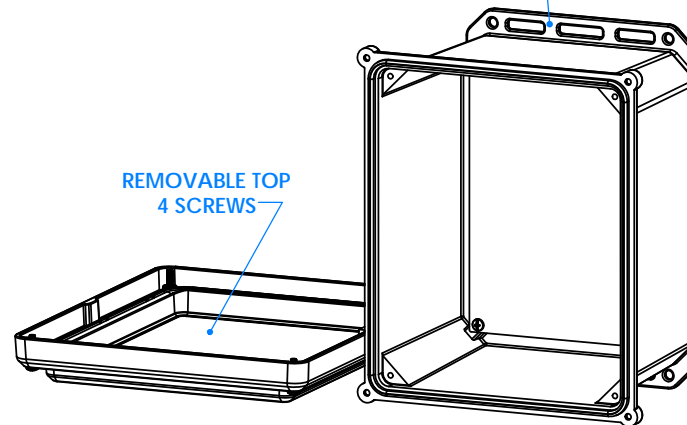


# SERPAC I352S

Electronic Enclosures



2 Mounting Brackets included, see sheet 2 for dimensions and for optional mounting Corner Feet and Brackets.



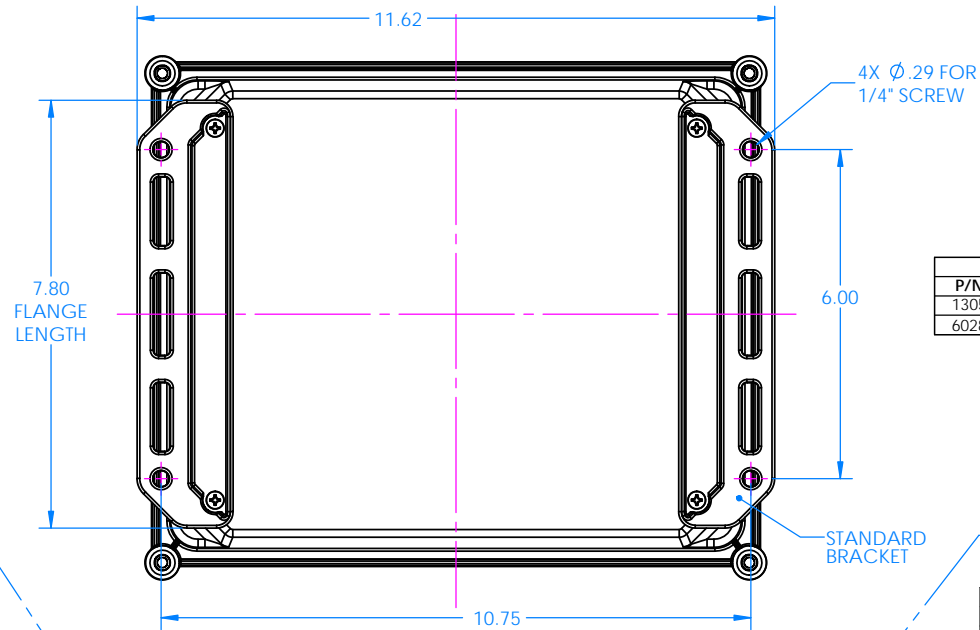
Aluminum and Plastic Panel Kits are available as options, see sheets 3-6. The aluminum panel options are:  
 Bottom Panel Kit p/n 7200B  
 Top Panel Kit p/n 7200T  
 Hinged Panel Kit p/n 7200TH  
 The plastic panel option is:  
 Hinged Panel Kit p/n 7200HP

-Material: UV stabilized Polycarbonate  
 Flammability UL 94 V-2  
 -Watertight enclosure meets or exceeds Nema 4 and or IP67.

PARTS INCLUDED		
P/N	Qty.	Description
I352ST	1	I352S Top
I350SB	1	I350S Bottom
8350	1	350 Perimeter O-ring
1305	2	Mounting Bracket
6028	4	SS #10 X 5/8" Pan H/L
6031	4	#10-32 X 1" Screw
6104	4	10-32 Threaded Insert
8001	4	O-Ring for Screw

## I352/I342 Mounting Bracket Dimensions

TOP REMOVED FOR CLARITY FROM ALL VIEWS



### STANDARD INCLUDED MOUNTING BRACKETS

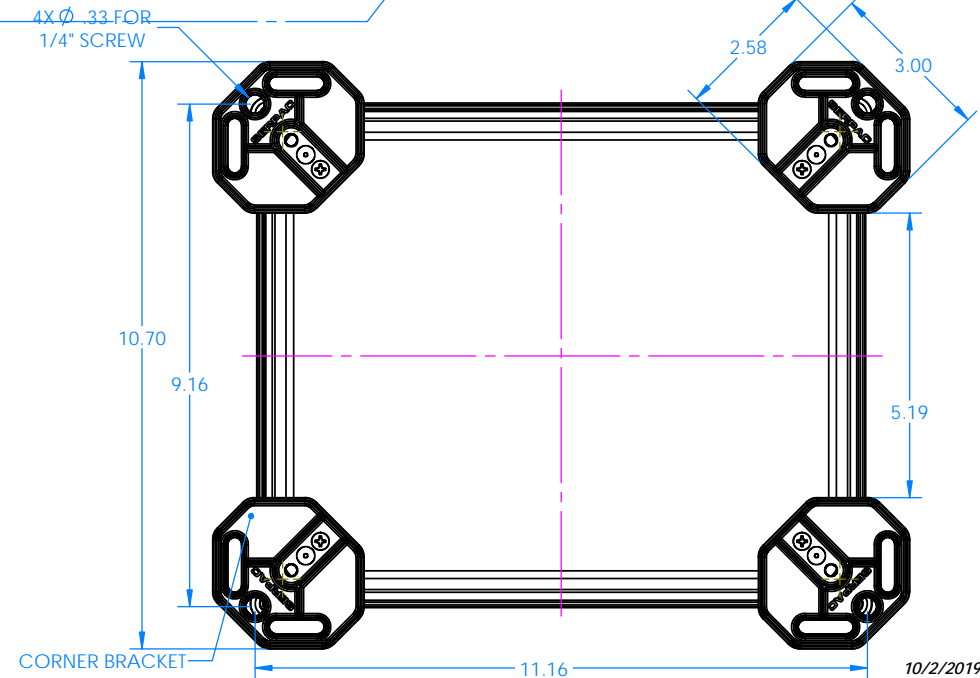
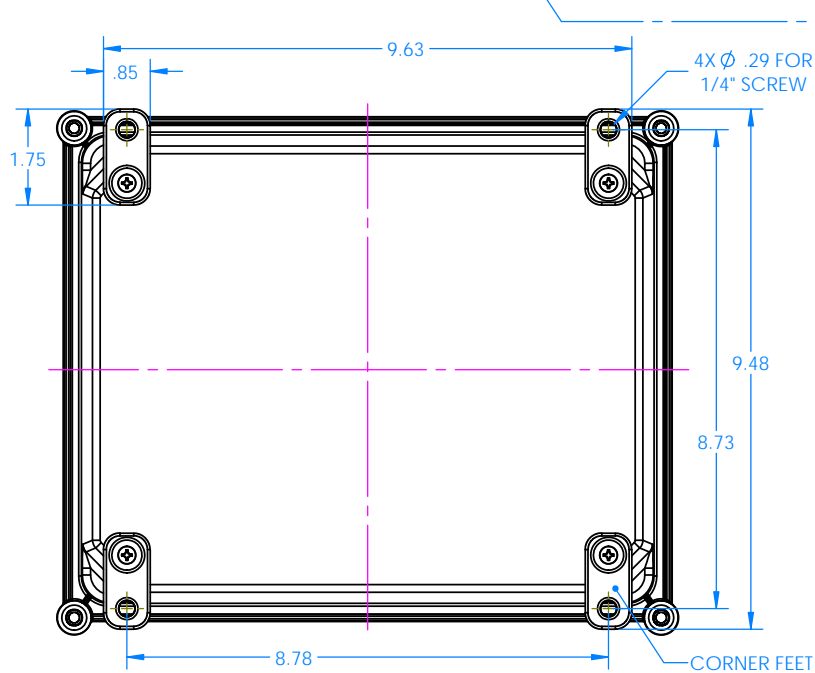
PARTS INCLUDED		
P/N	Qty.	Description
1305	2	Mounting Bracket
6028	4	SS #10 X 5/8" Pan Combo H/L Screw

### OPTIONAL CORNER FEET

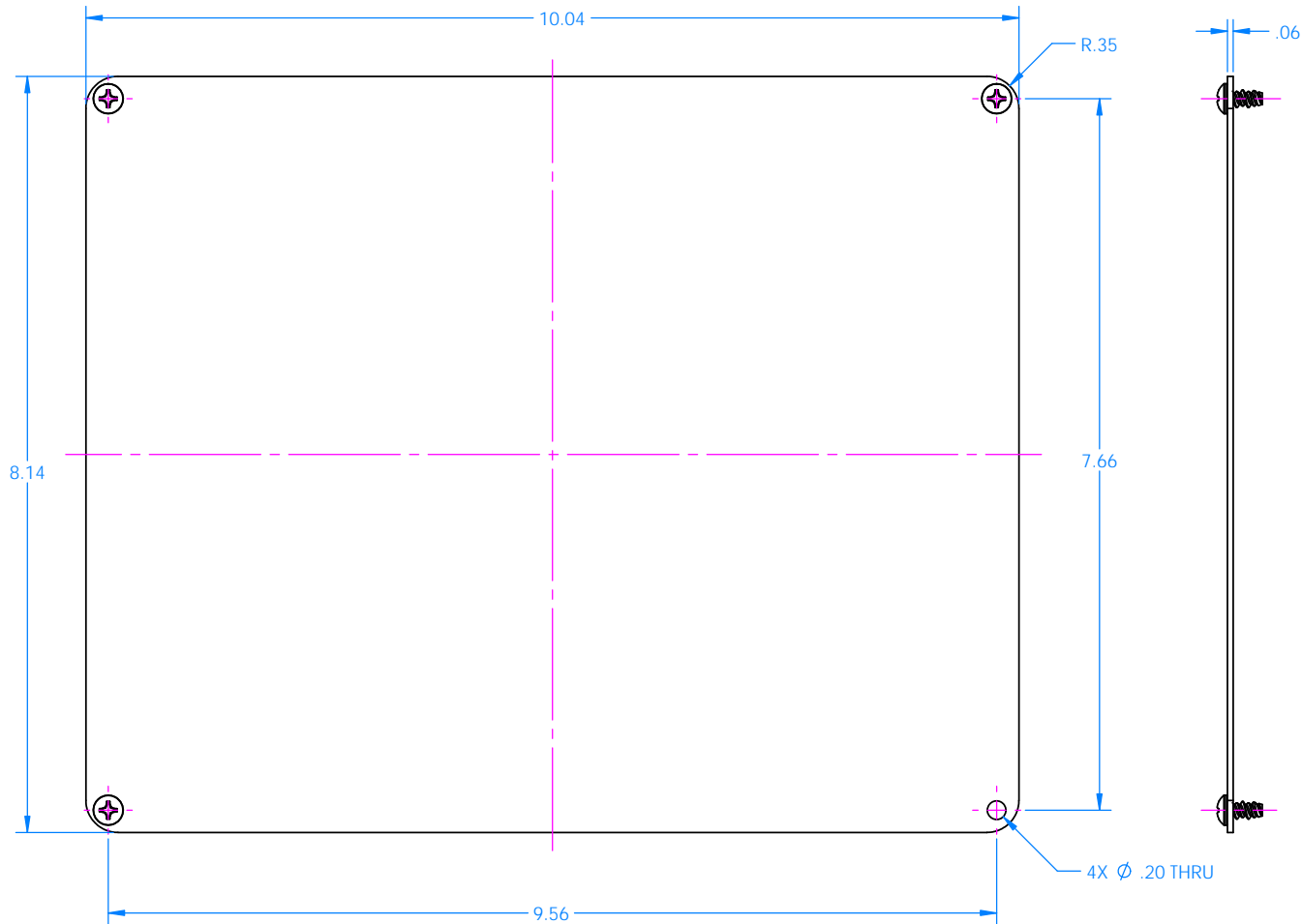
PARTS INCLUDED		
P/N	Qty.	Description
1306	4	Mounting Corner Feet
6028	4	SS #10 X 5/8" Pan Combo H/L Screw

### OPTIONAL CORNER BRACKETS

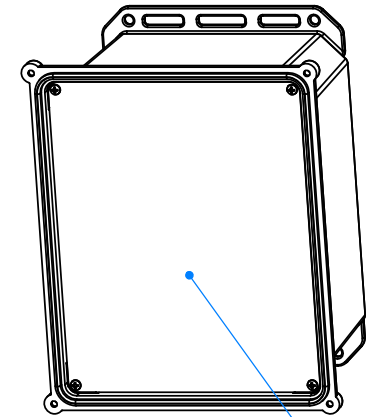
PARTS INCLUDED		
P/N	Qty.	Description
1355	4	Mounting Corner Bracket
6028	4	SS #10 X 5/8" Pan Combo H/L Screw



# 7200T Top Panel Kit for 352HL, 342HL, 352HS, 342HS, 352S and 342S



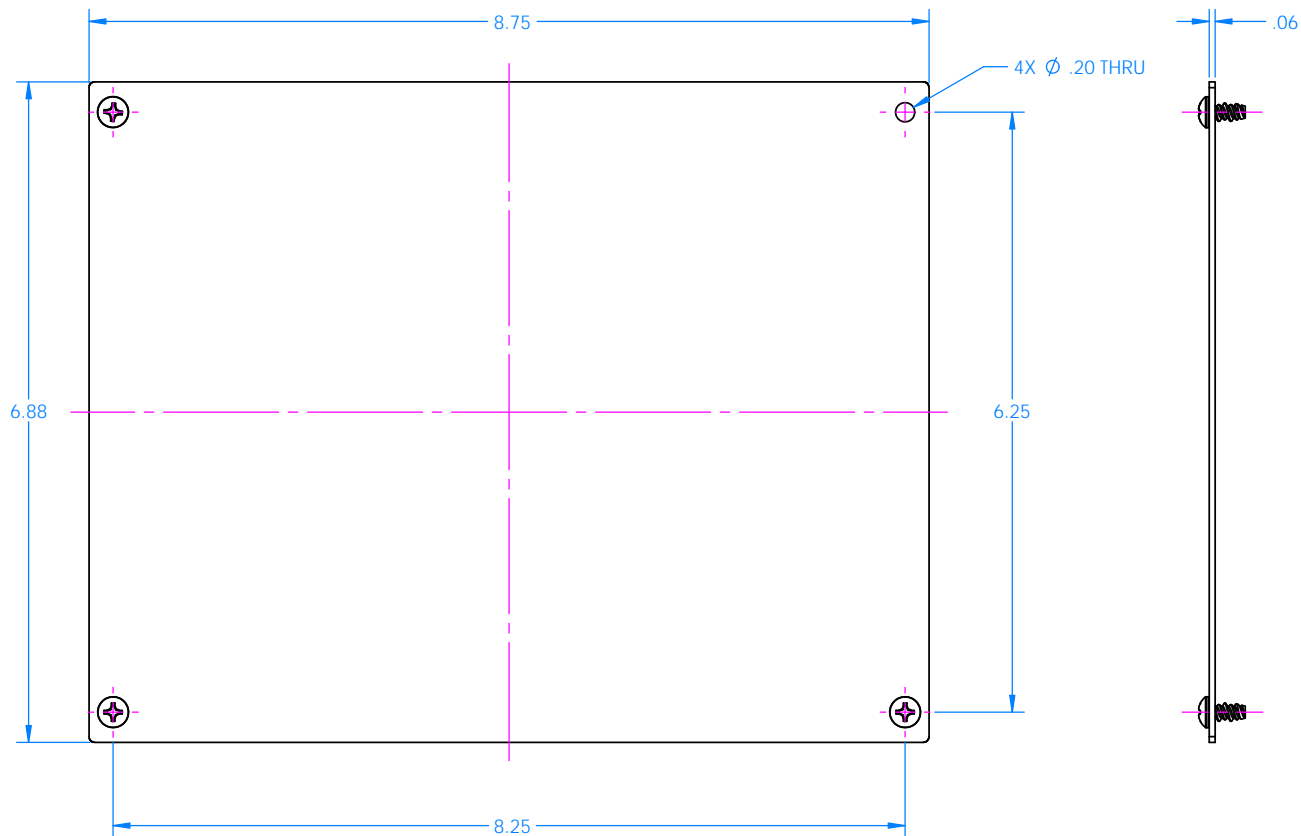
TOP REMOVED FOR CLARITY  
FROM THIS VIEW



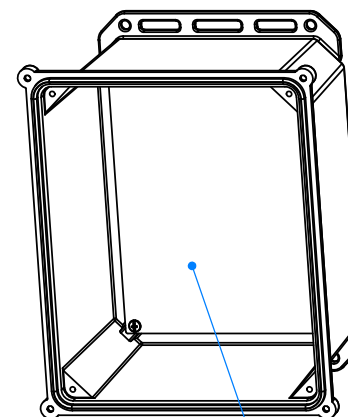
OPTIONAL ACCESSORY

PARTS INCLUDED		
P/N	Qty.	Description
72040	1	Top Aluminum Panel
6029	4	SS #10 X 3/8" Pan HL Screw

## 7200B Bottom Panel Kit for 352HL, 342HL, 352HS, 342HS, 352S and 342S



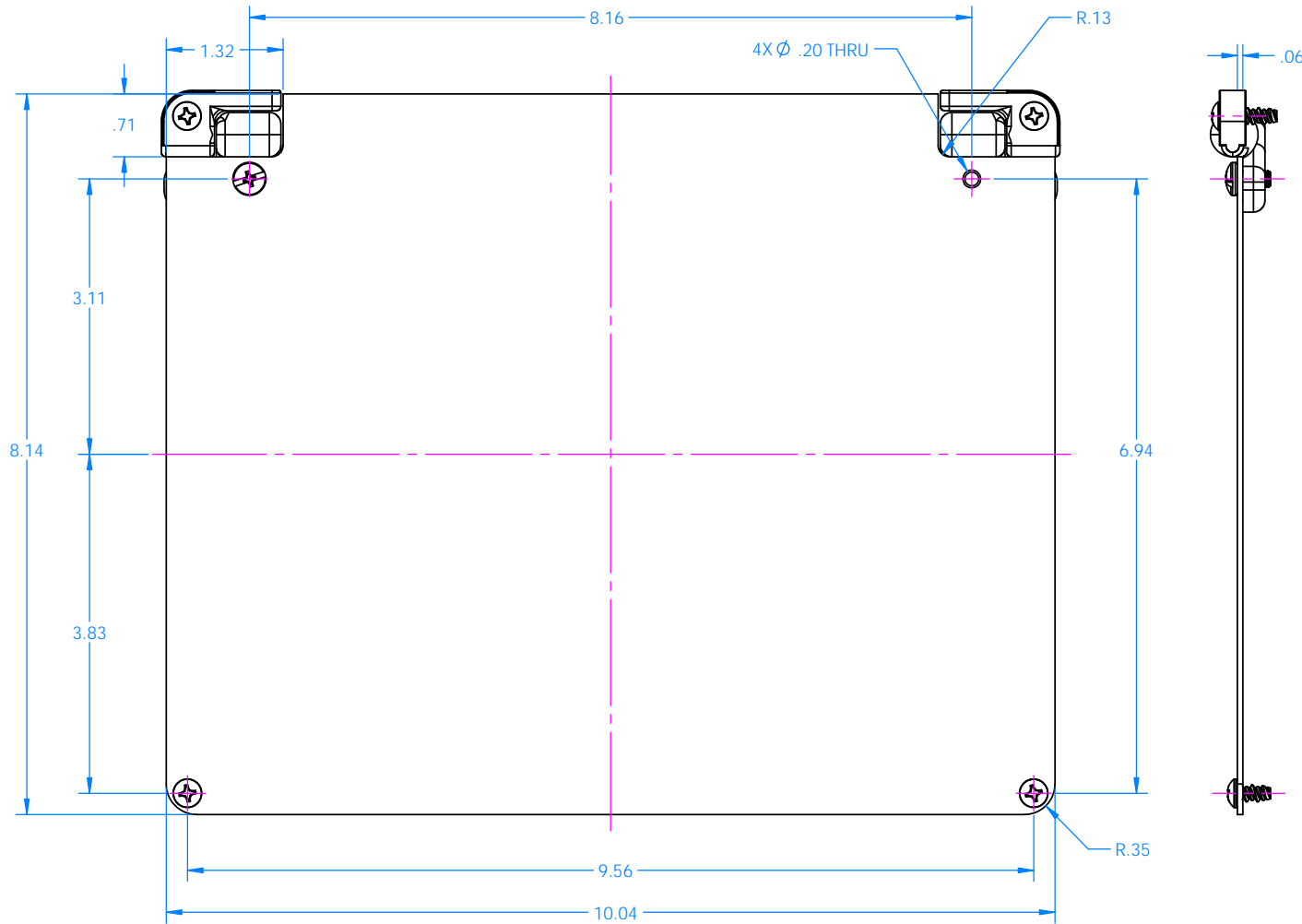
TOP REMOVED FOR CLARITY FROM THIS VIEW



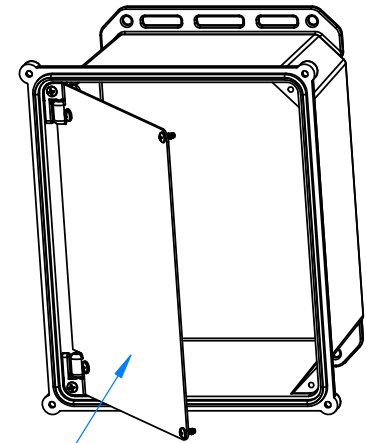
OPTIONAL ACCESSORY

PARTS INCLUDED		
P/N	Qty.	Description
72000	1	Bottom Aluminum Panel
6029	4	SS #10 X 3/8" Pan HL Screw

# 7200TH Hinged Top Panel Kit for 352HL, 342HL, 352HS, 342HS, 352S and 342S



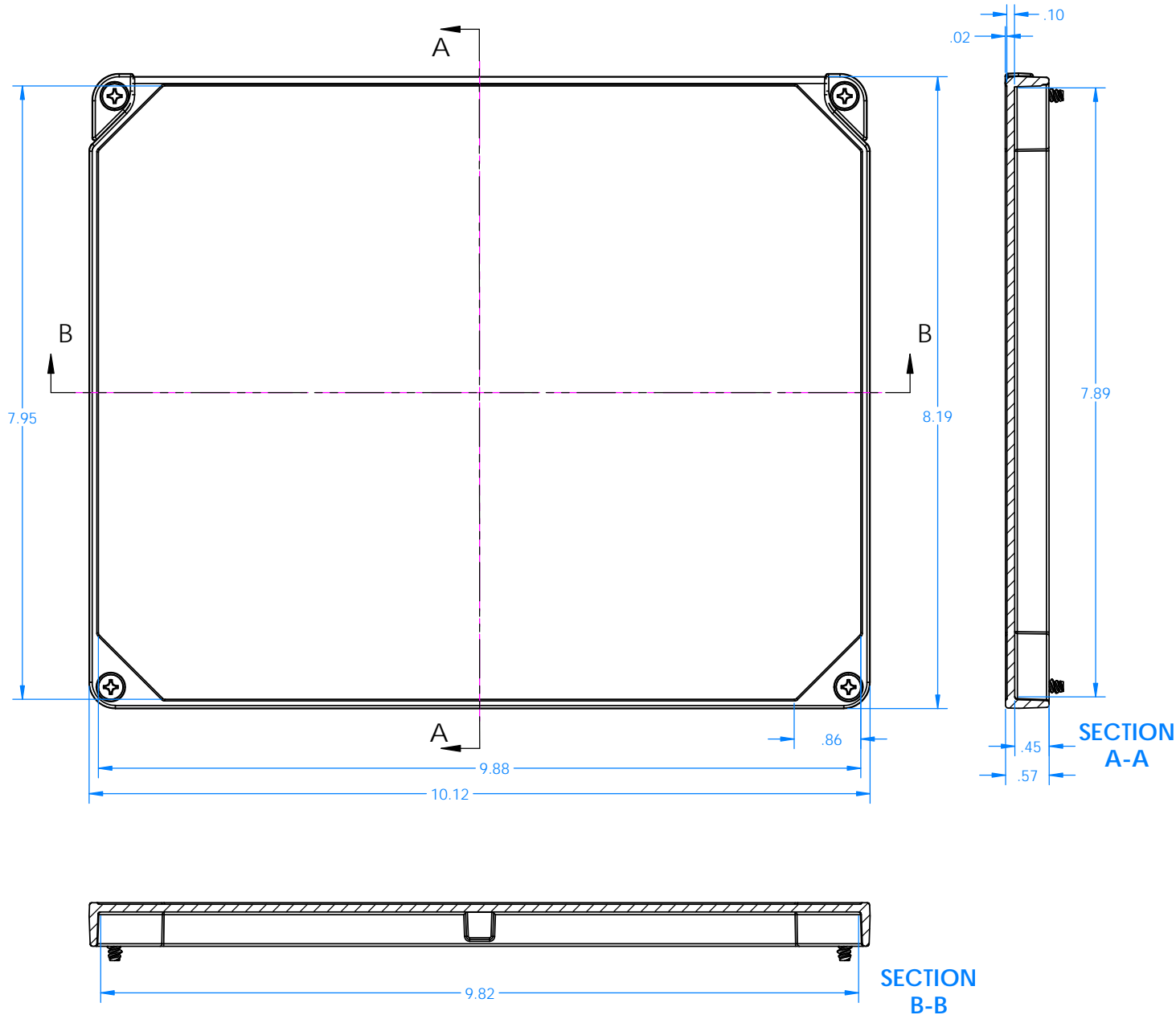
TOP REMOVED FOR CLARITY FROM THIS VIEW



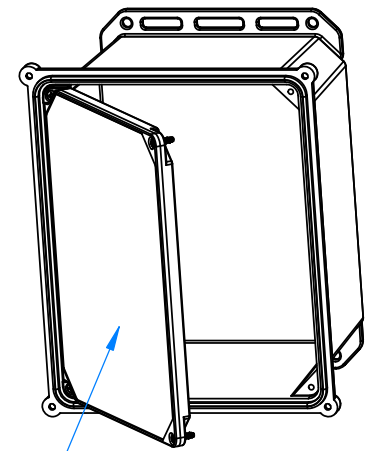
OPTIONAL ACCESSORY

Parts Included		
P/N	Qty.	Description
72020	1	Hinged Top Aluminum Panel
6029	2	SS #10 X 3/8" Pan HL Screw
6030	2	SS #10 X 3/8" Pan Combo H/L Screw
6105	2	SS #10-32 X1/8" Nut
6028	2	SS #10 X 5/8" Pan Combo H/L Screw
1307	2	Hinge Pin
1308	1	Panel Hinge A
1309	1	Panel Hinge B

# 7200HP Hinged Top Plastic Panel Kit for 352HL, 342HL, 352HS, 342HS, 352S and 342S



TOP REMOVED FOR CLARITY FROM THIS VIEW



OPTIONAL ACCESSORY

Parts Included		
P/N	Qty.	Description
72021	1	Hinged Top Plastic Panel
1310	1	Hinge - Left
1311	1	Hinge - Right
6028	4	SS #10 X 5/8" Pan Combo H/L Screw