

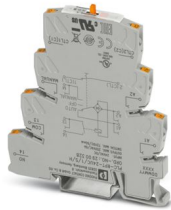
# PLC-RPT- 24UC/ 1/S/H - Switch



2900328

<https://www.phoenixcontact.com/us/products/2900328>

Please be informed that the data shown in this PDF document is generated from our online catalog. Please find the complete data in the user documentation. Our general terms of use for downloads are valid.



PLC-INTERFACE with switch (operation by hand) and integrated power contact relay for the "Manual, Zero and Automatic" functions, with push-in connection, for mounting on DIN rail NS 35/7.5, one N/O contact, input voltage 24 V AC/DC

## Your advantages

- Just 6.2 mm wide
- Safe isolation between coil and contact side
- Max. switching current of 6 A
- Floating confirmation contact
- Screw, spring-cage or Push-in connection

## Commercial data

Item number	2900328
Packing unit	10 pc
Minimum order quantity	10 pc
Sales key	C461
Product key	CK62AE
Catalog page	Page 406 (C-5-2019)
GTIN	4046356507554
Weight per piece (including packing)	32.8 g
Weight per piece (excluding packing)	30 g
Customs tariff number	85364190
Country of origin	DE

## Technical data

### Product properties

Product type	Relay Module
Product family	PLC-INTERFACE
Application	Palm switch
Operating mode	100% operating factor

### Data management status

Date of last data management	29.05.2024
Article revision	09

### Insulation characteristics: Air clearances and creepage distances between the power circuits

Overvoltage category	III
Pollution degree	2

### Electrical properties

Maximum power dissipation for nominal condition	0.26 W
---	--------

### Air clearances and creepage distances between the power circuits

Rated insulation voltage	250 V AC
Rated surge voltage	6 kV

### Input data

#### Coil side

Nominal input voltage $U_N$	24 V AC/DC
Input voltage range	19.4 V AC/DC ... 33.6 V AC/DC (20 °C)
Nominal voltage (plugged-in electromechanical relay)	24 V DC
Drive and function	monostable
Drive (polarity)	polarized
Typical input current at $U_N$	11 mA
Typical response time	6 ms
Typical release time	15 ms
Protective circuit	Bridge rectifier; Bridge rectifier
Operating voltage display	Yellow LED

### Output data

#### Switching

Contact switching type	1 N/O contact
Type of switch contact	Single contact
Contact connection type	Power contact
Contact material	AgSnO, hard gold-plated
Maximum switching voltage	250 V AC/DC
Minimum switching voltage	5 V (100 mA)

# PLC-RPT- 24UC/ 1/S/H - Switch



2900328

<https://www.phoenixcontact.com/us/products/2900328>

Limiting continuous current	6 A
Maximum inrush current	on request
Min. switching current	10 mA (12 V)
Short-circuit current	200 A (conditional short-circuit current)
Interrupting rating (ohmic load) max.	140 W (at 24 V DC)
	20 W (at 48 V DC)
	18 W (at 60 V DC)
	23 W (at 110 V DC)
	40 W (at 220 V DC)
	1500 VA (for 250 V AC)
Output fuse	4 A gL/gG NEOZED

## Connection data

Connection method	Push-in connection
Stripping length	10 mm
Conductor cross section rigid	0.14 mm <sup>2</sup> ... 2.5 mm <sup>2</sup>
Conductor cross section flexible	0.14 mm <sup>2</sup> ... 2.5 mm <sup>2</sup>
	0.2 mm <sup>2</sup> ... 2.5 mm <sup>2</sup> (Single ferrule)
	2x 0.5 mm <sup>2</sup> ... 1 mm <sup>2</sup> (TWIN ferrule)
Conductor cross section AWG	26 ... 14

## Dimensions

Width	6.2 mm
Height	80 mm
Depth	90 mm

## Material specifications

Color	gray (RAL 7042)
Flammability rating according to UL 94	V0 (Housing)

## Environmental and real-life conditions

### Ambient conditions

Degree of protection (Relay base)	IP20 (Relay base)
Ambient temperature (operation)	-20 °C ... 60 °C
Ambient temperature (storage/transport)	-20 °C ... 85 °C

## Approvals

### CE

Certificate	CE-compliant
-------------	--------------

### UKCA

Certificate	UKCA-compliant
-------------	----------------

### Shipbuilding approval

Certificate	TAE0000196
-------------	------------

# PLC-RPT- 24UC/ 1/S/H - Switch



2900328

<https://www.phoenixcontact.com/us/products/2900328>

## Corrosive gas test

Identification	ISA-S71.04. G3 Harsh Group
	EN 60068-2-60

## DNV GL data

Temperature	D
Humidity	A
Vibration	B/C
EMC	B
Enclosure	Required protection according to the Rules shall be provided upon installation on board

## EMC data

Low Voltage Directive	Conformance with Low Voltage Directive
Electromagnetic compatibility	Conformance with EMC directive

## Standards and regulations

### Air clearances and creepage distances between the power circuits

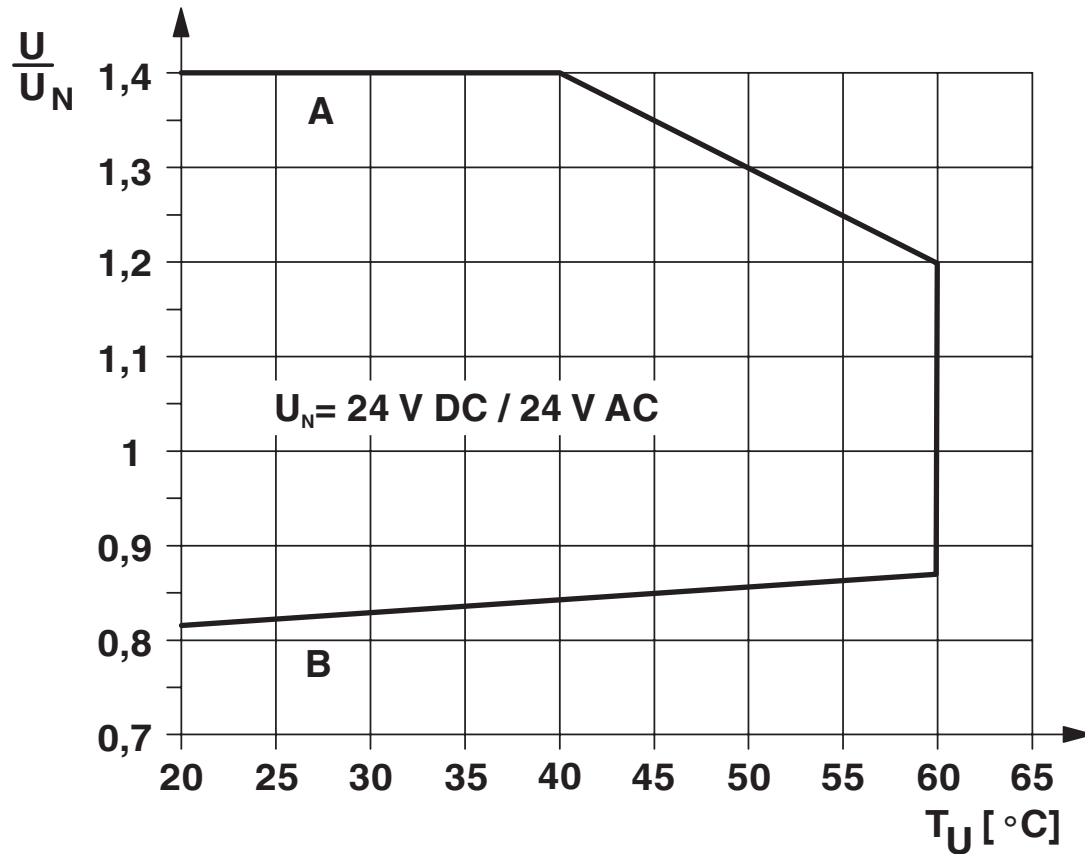
Standards/regulations	IEC 60664
	IEC 60947-5-1

## Mounting

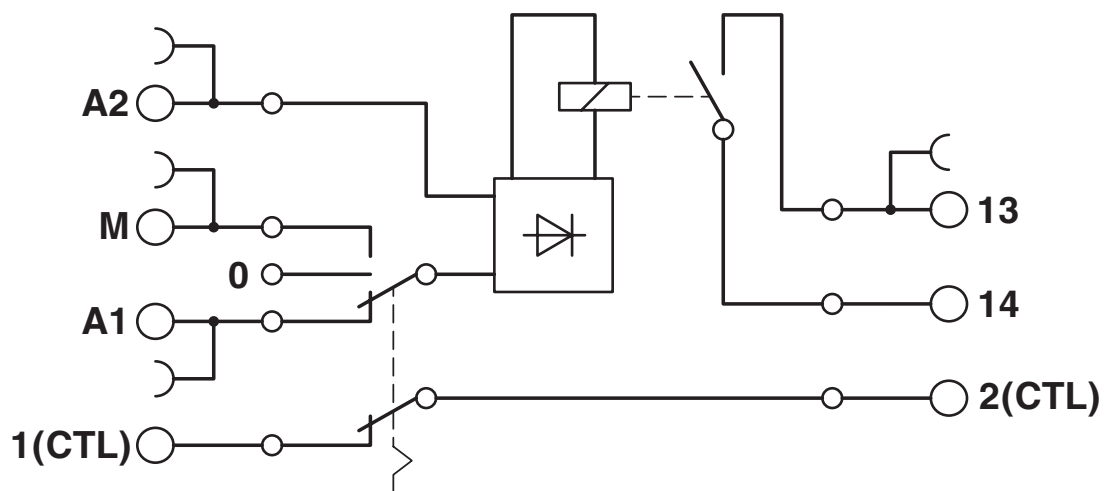
Mounting type	DIN rail mounting
Thread type	()
Assembly note	in rows with zero spacing
Mounting position	any

## Drawings

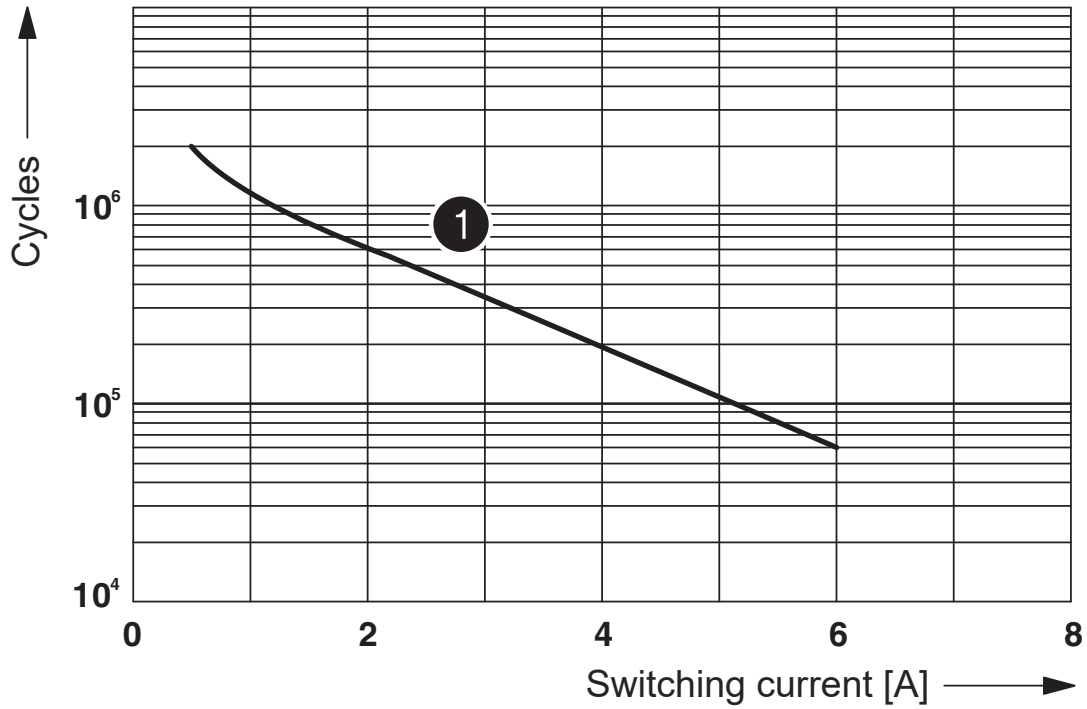
Diagram



Circuit diagram

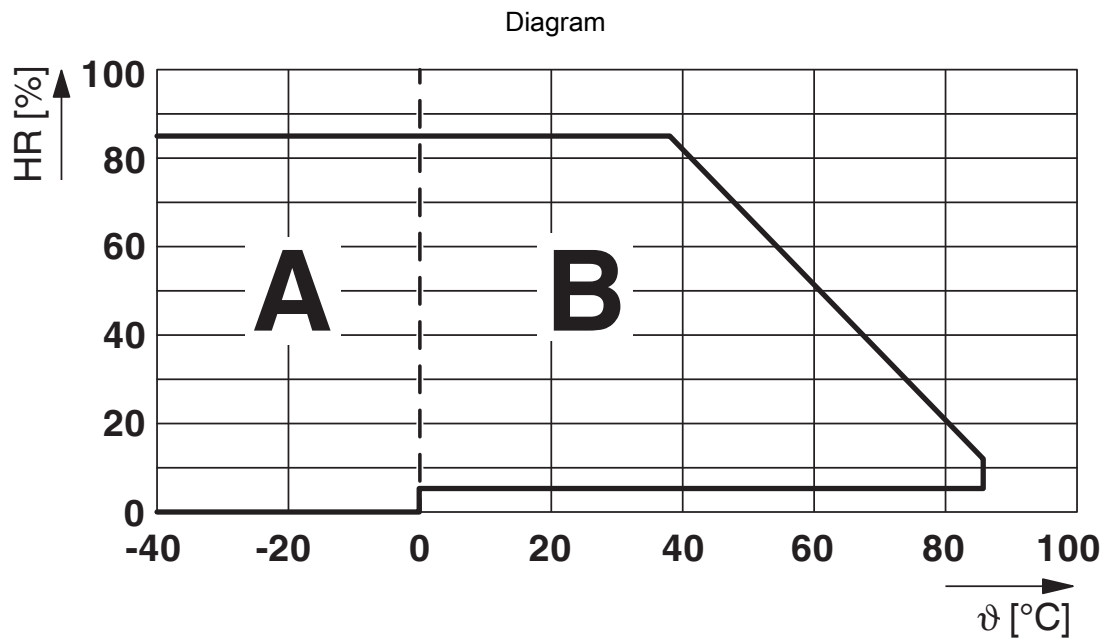


Diagram



① 250 V AC, ohmic load

Electrical service life



Permissible humidity for operation and storage.

The maximum permissible ambient temperature as specified in the data sheet must be observed.

Area A: Ice buildup at ambient temperatures  $\leq 0^{\circ}\text{C}$  must be prevented

Area B: Condensation at ambient temperatures  $> 0^{\circ}\text{C}$  must be prevented

On 30 full days that are naturally distributed across an entire year, a humidity level of 95% is permissible at an ambient temperature  $\leq 25^{\circ}\text{C}$ .

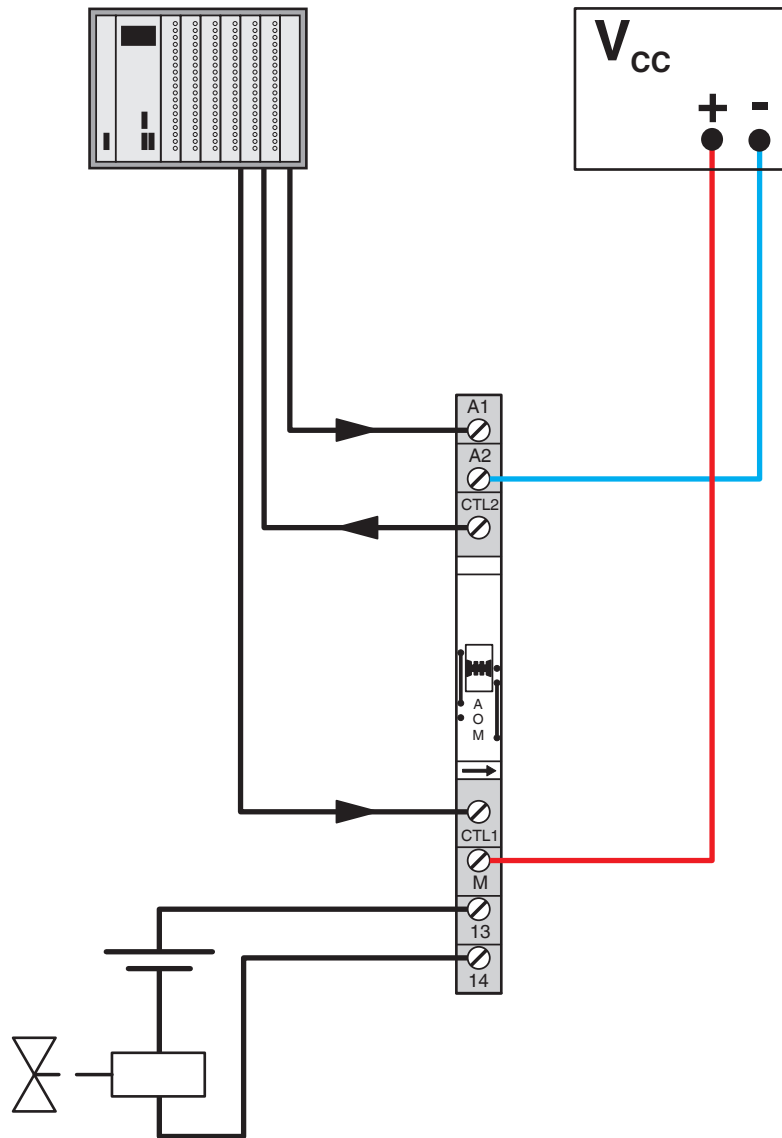
# PLC-RPT- 24UC/ 1/S/H - Switch

2900328

<https://www.phoenixcontact.com/us/products/2900328>



Application drawing





# PLC-RPT- 24UC/ 1/S/H - Switch



2900328

<https://www.phoenixcontact.com/us/products/2900328>

## Approvals

To download certificates, visit the product detail page: <https://www.phoenixcontact.com/us/products/2900328>



**cUL Recognized**  
Approval ID: E238705



**UL Recognized**  
Approval ID: E238705



**EAC**  
Approval ID: RU C-DE.A\*30.B.01082



**UL Listed**  
Approval ID: FILE E 172140



**cUL Listed**  
Approval ID: FILE E 172140



**cULus Listed**  
Approval ID: E140324

**cULus Recognized**

**cULus Listed**

# PLC-RPT- 24UC/ 1/S/H - Switch



2900328

<https://www.phoenixcontact.com/us/products/2900328>

## Classifications

### ECLASS

ECLASS-11.0	27371601
ECLASS-12.0	27371601
ECLASS-13.0	27371601

### ETIM

ETIM 9.0	EC001437
----------	----------

### UNSPSC

UNSPSC 21.0	39122300
-------------	----------

2900328

<https://www.phoenixcontact.com/us/products/2900328>

## Environmental product compliance

### EU RoHS

Fulfills EU RoHS substance requirements	Yes
Exemption	7(a), 7(c)-I

### China RoHS

Environment friendly use period (EFUP)	EFUP-50
	An article-related China RoHS declaration table can be found in the download area for the respective article under "Manufacturer declaration". For all articles with EFUP-E, no China RoHS declaration table issued and required.

### EU REACH SVHC

REACH candidate substance (CAS No.)	Lead(CAS: 7439-92-1)
SCIP	884cd179-fbf4-4a9a-bda9-99dd4c911525

### EF3.0 Climate Change

CO2e kg	0.498 kg CO2e
---------	---------------

Phoenix Contact 2024 © - all rights reserved  
<https://www.phoenixcontact.com>

Phoenix Contact USA  
586 Fulling Mill Road  
Middletown, PA 17057, United States  
(+717) 944-1300  
[info@phoenixcon.com](mailto:info@phoenixcon.com)