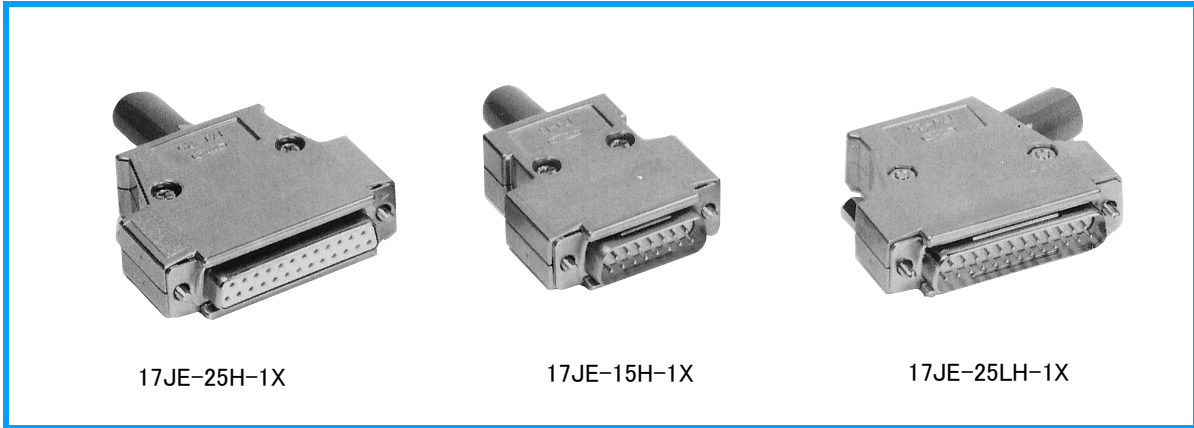


EMI Hood Kit



* Connectors shown in picture are not included in the product.

G

FEATURE

- Hood is made of plastic, so it is light and compact.
- Plastic is Ni-plated, so it is effective against EMI..

MATERIAL

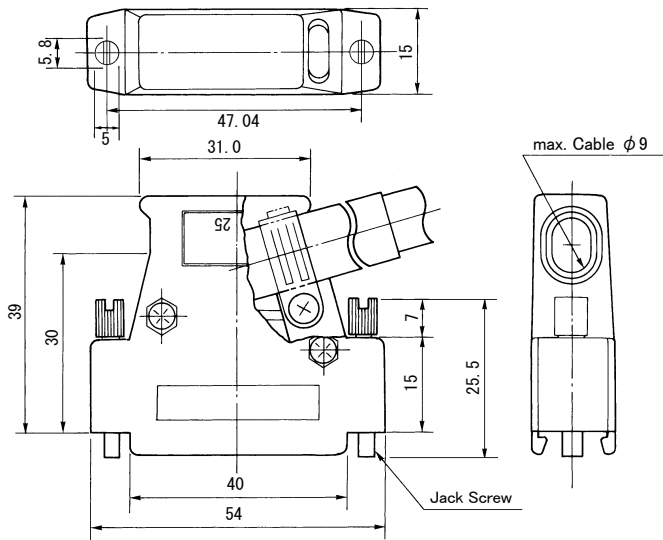
ABS resin (UL94V-0)/ Nickel plating.

Right Angle Hood

17JE-25LH-1A

NO. OF CONTACTS
: 25 only

JACK SCREW
A : M2.6 × 0.45(Standard)
B : M3 × 0.5
C : #4-40UNC



Not compatible with 17DE-13250-C or 17DE-23250-C.

17JE Series (Hood Kit)

Unit : mm

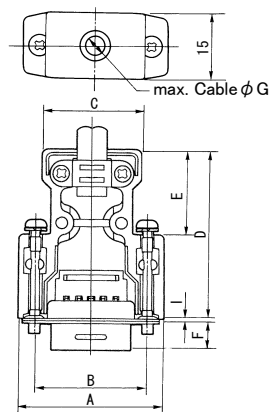
■ Straight Hood

17JE-25H2-1A

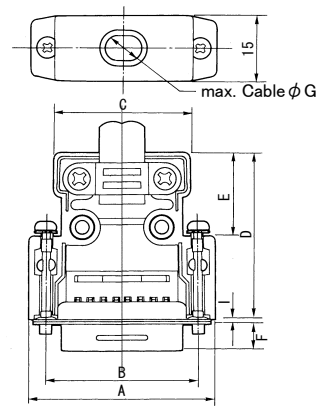
NO. OF CONTACTS
09, 15, 25, 37

SHAPE OF HOOD
H : Straight-type hood
H2 : Straight and small-diameter cable hood

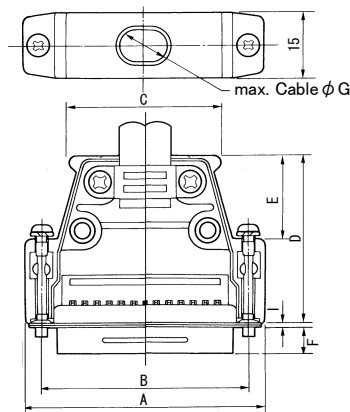
JACK SCREW
A : M2.6 × 0.45 (Standard)
B : M3 × 0.5
C : #4-40UNC



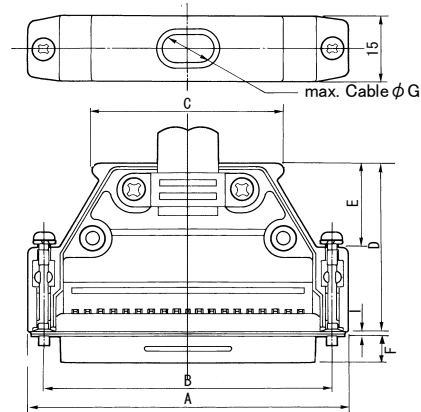
9



15



25



37

G

17JE(HoodKit)

Shell Size	P/N	A	B	C	D	E	F	G	
								Standard H Type	Small-diameter H Type
37	17JE-37H□-1□	70.5	63.50	42.0	38.0	19.0	6.1	10.5	7.4
25	17JE-25H□-1□	54.0	47.04	35.0	38.0	19.0	6.1	9.0	6.6
15	17JE-15H□-1□	40.5	33.32	30.0	38.0	19.0	6.1	8.0	5.7
9	17JE-09H□-1□	32.2	24.99	22.2	38.0	19.0	6.1	7.0	5.1

*The drawing is for your reference only.
This hood does not include a connector.

17JE Series (Hood Kit)

Unit : mm

List of 17JE Deviations

□ stands for the type of lock screw. A : M2.6 × 0.45 B : M3 × 0.5 C : # 4-40UNC

Hood	Straight-type hood for sizes 9, 15, 25 and 37.	L-shaped hood for size 25 only.	Hood	Straight-type small-diameter cable hood for sizes 9, 15, 25 and 37.
Lock Screw			Lock Screw	
17J-001□ 	(Example)17JE-25H-1A NO. OF CONTACTS Type of lock screw		17J-001□ 	17JE-□□H2-□□
17J-002□ 	17JE-□□H-1□2		17J-002□ 	17JE-□□H2-□□2
17J-005□ 	17JE-□□H-1□4		17J-005□ 	17JE-□□H2-□□4
17J-008□ 		17JE-25LH-1□		
17J-014□ 		17JE-25LH-1□1		

stands for no combination.

□ : screw size. * Table shows combinations of hoods and lock screws; Intersections in the matrix show deviation names.

Cable Hood Inside Dimension

Size	For standard cable	For small-diameter cable
9	φ 7.0 or less	φ 5.1 or less
15	φ 8.0 or less	φ 5.7 or less
25	φ 9.0 or less	φ 6.6 or less
37	φ 10.5 or less	φ 7.4 or less

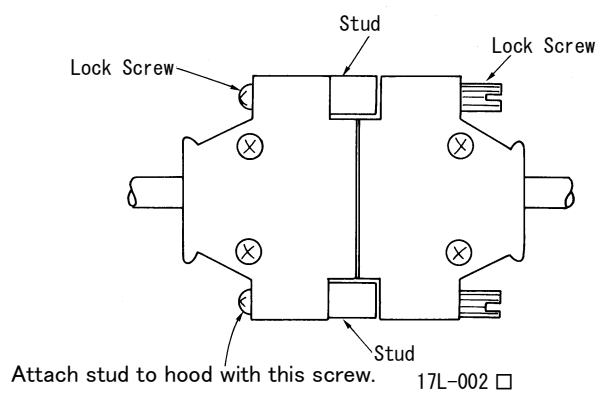
G
17JE(HoodKit)

17JE Series (Hood Kit)

Unit : mm

Use of Kit to Connect a Cable to Another Cable

Use a connector with cable hood having a stud and another with cable hood.



G

17JE(HoodKit)