

M8

0805 ... 0...

## Cordsets M8



Actuator/sensor cordset with overmolded connector

**Cable end 1:**

M8 female, angled, A-coded, IP67

**Cable end 2:**

blunt cut

**Cable:**

PVC, black

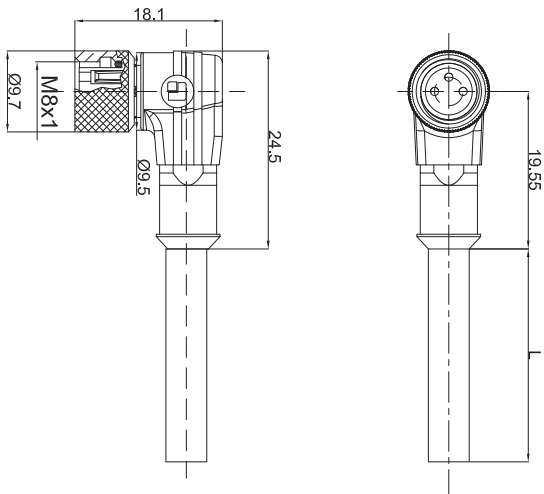
---

Approvals:

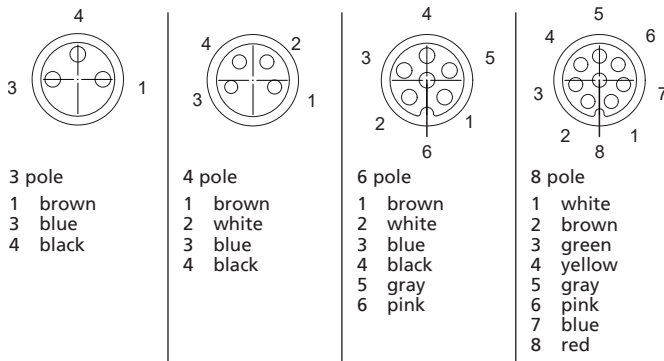


M8

0805 ... 0...



Pin assignments for female M8 connectors, A-coded, front view



### Environmental conditions

Temperature range -25 °C/+80 °C

### Materials

Insulating body	TPU GF, HB according to UL94
Contact bush	CuZn, pre-nickel and gold-plated
Overmolding/handle	PVC, HB according to UL94
Knurled nut	CuZn, nickel-plated
Seal	FKM

### Mechanical data

Mating cycles	≥ 100
Insertion force	≤ 23 N <sup>1</sup>
Withdrawal force	≤ 23 N <sup>1</sup>
Protection class	IP67 <sup>2</sup>

<sup>1</sup> measured with a proper counterpart

<sup>2</sup> according to IEC DIN EN 60529, only in locked condition with an appropriate counterpart

### Connected cable

Construction	PVC, black
Outer jacket	PVC, black

### Electrical data (at T<sub>amb</sub> 20 °C)

Contact resistance	≤ 10 mΩ
Rated current	4 A (3-4 poles) 1.5 A (6-8 poles) (T <sub>amb</sub> 40 °C)
Rated voltage	50 V AC/60 V DC (3-4 poles) 32 V AC/DC (6-8 poles) (with pollution degree 3)
Rated impulse voltage	1.5 kV (3-4 poles) 0.8 kV (6-8 poles)
Material group	I (IEC)/0 (UL) (CTI = 600)
Overvoltage category	III
Insulation resistance	> 100 MΩ

### Associated products

Counterparts			
☞ 0810 ... 0...	☞ 0810 ... 3...	☞ 0810 0800 ... 0...	
☞ 0810 0800 ... 3...	☞ 0810 0805 ... 3...	☞ 0810 0806 ... L1 3...	
☞ 0815 ... 0...	☞ 0815 ... 3...	☞ 0830 ... T8CW ...	
☞ 0831 ... T10CP	☞ 0831 ... T8CW ...	☞ 0832 ...S9 T8CP	

M8

0805 ... 0...

---

[6157 8055 S01 4W](#) [6157 8055 S03 8W](#) [6157 8055 S06 16W](#)  
[6157 8055 S09 24W](#)

Accessories  
[9908 CPF0](#)

---

M8

0805 ... 0...

Designation	Pole Number	Connected Cable	PU (Pieces)	MDQ (Pieces)	Dimensions L (mm)
0805 04 002 2m	4	PVC, black, 4 x 0.34 mm <sup>2</sup> (AWG 22), 910002, UL-style 2464	5	10	2000
0805 04 002 5m	4	PVC, black, 4 x 0.34 mm <sup>2</sup> (AWG 22), 910002, UL-style 2464	1	10	5000
0805 04 002 10m	4	PVC, black, 4 x 0.34 mm <sup>2</sup> (AWG 22), 910002, UL-style 2464	1	10	10000
0805 06 024 1m	6	PVC, black, 6 x 0.25 mm <sup>2</sup> (AWG 24), 910024, UL-style 2464	5	10	1000
0805 06 024 2m	6	PVC, black, 6 x 0.25 mm <sup>2</sup> (AWG 24), 910024, UL-style 2464	5	10	2000
0805 06 024 5m	6	PVC, black, 6 x 0.25 mm <sup>2</sup> (AWG 24), 910024, UL-style 2464	1	10	5000
0805 08 025 1m	8	PVC, black, 8 x 1.34 mm <sup>2</sup> (AWG 26), 910025, UL-style 2464	5	10	1000
0805 08 025 2m	8	PVC, black, 8 x 1.34 mm <sup>2</sup> (AWG 26), 910025, UL-style 2464	5	10	2000
0805 08 025 5m	8	PVC, black, 8 x 1.34 mm <sup>2</sup> (AWG 26), 910025, UL-style 2464	1	10	5000

**Packaging:**  
in a plastic bag