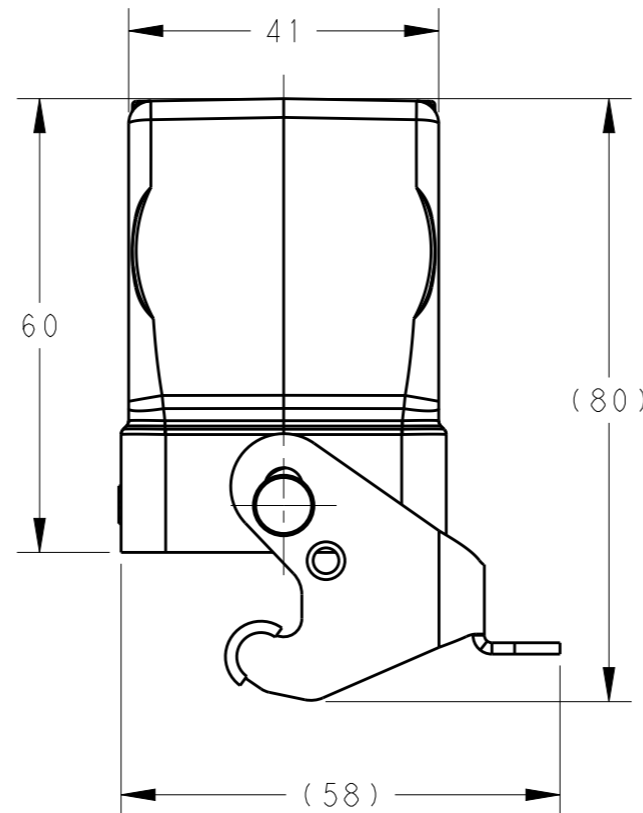
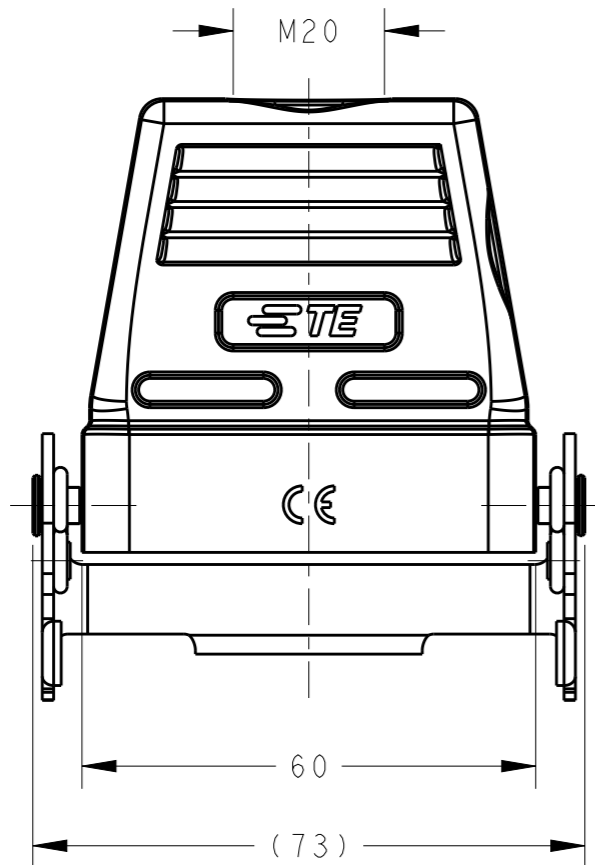


THIS DRAWING IS UNPUBLISHED. RELEASED FOR PUBLICATION 20
© COPYRIGHT 20 BY - ALL RIGHTS RESERVED.

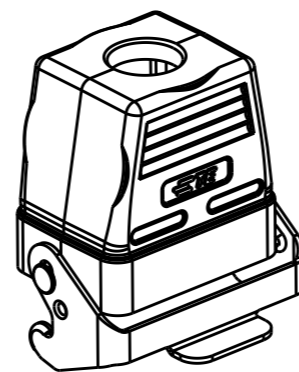
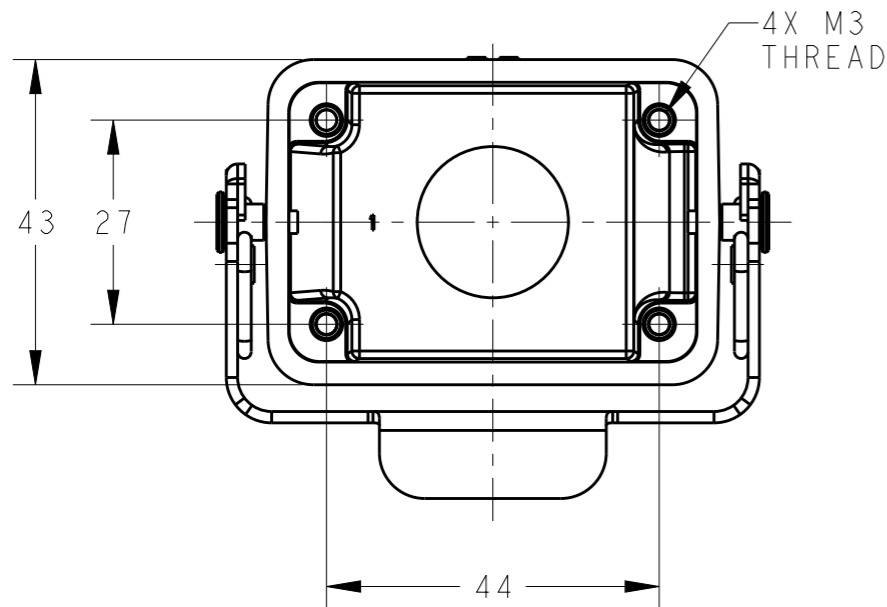
REVISIONS

P	LTR	DESCRIPTION	DATE	DWN	APVD
	A	INITIAL	10JUN2015	DW	CW
	A1	ECR-15-012067	10AUG2015	DW	CW
	B	ECR-20-007968	06JUN2020	WQR	CW




NOTES:
 1. TECHNICAL CHARACTERISTICS:
 HOOD MATERIAL: DIE CAST ALUMINIUM ALLOY
 SURFACE: POWDER COATED, GREY
 DEGREE OF PROTECTION: IP65 (MATED)

注释:
 1. 技术参数:
 上壳材料: 铝合金
 表面处理: 粉末涂层, 灰色
 防护等级: IP65(配合)



SCALE 1:2

T1360062120-000	H6B-TGB-M20	H6B HOOD, TOP ENTRY M20, METAL SINGLE LOCKING, POWDER COATED, GREY H6B上壳, 顶出M20, 彩锌单扣, 灰色粉末喷涂
PART NUMBER 成品料号	ASSEMBLY PART DESCRIPTION 成品描述	

THIS DRAWING IS A CONTROLLED DOCUMENT.		DWN 05JUN2015 David Wang	 TE Connectivity NAME H6B-TGB-M20					
DIMENSIONS: mm		CHK 05JUN2015 Chris Wang						
TOLERANCES UNLESS OTHERWISE SPECIFIED:		APVD 05JUN2015 Xiang Xu						
0 PLC ±- 1 PLC ±- 2 PLC ±- 3 PLC ±- 4 PLC ±- ANGLES ±-		PRODUCT SPEC 108-137013						
MATERIAL -		FINISH -	APPLICATION SPEC 114-137013	SIZE A3	CAGE CODE 00779	DRAWING NO. T1360062120000	RESTRICTED TO -	
-		-	WEIGHT -	Customer Drawing		SCALE 1:1	SHEET 1 OF 1	REV B