

产品承认书

SPECIFICATION FOR APPROVAL

CUSTOMER : _____

CUSTOMER P/N : _____

CND-TEK P/N. : _____ QG4850S

DESCRIPTION : _____ 2.5G BASE-T MAGNETICS MODULES

REF NO: _____

REV/NO: _____ A/0

DATE: _____ 2022/01/06

ATTACHMENT :

■ SPECIFICATION

■ SAMPLE Q'TY OF SAMPLES _____ PCS

	√	CUSTOMER'S SIGNATURE	REMARK
FULL APPROVED			
CONDITIONAL APPROVED			
REJECTED			

深圳磁联达电子有限公司

CND-TEK

Shenzhen CND-TEK Electronic Co. Ltd.

公司地址: 深圳市南山区西丽街道牛成路221号5楼西座

TEL: 86-755-29016433 FAX: 0755-27652977

Email: sales2@cd-tek.com

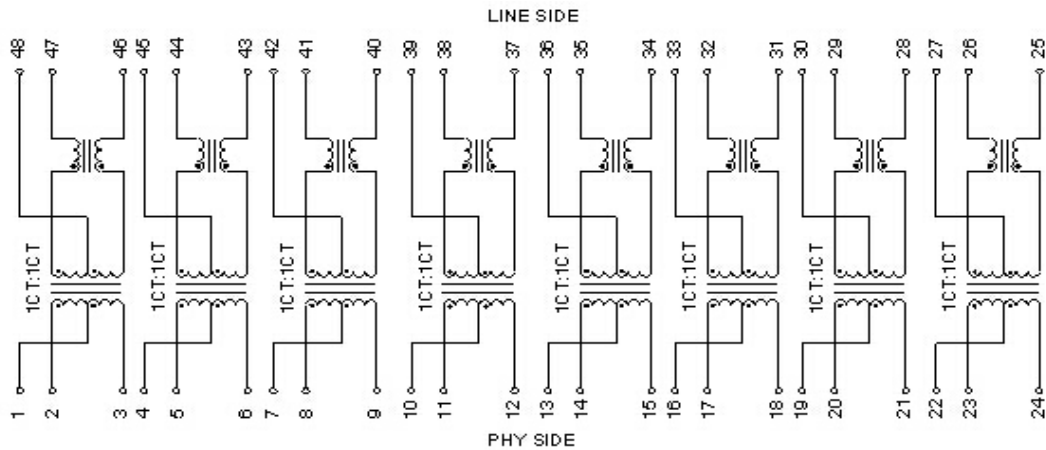
Http: //www.cd-tek.com



INDEX

1. Index	1
2. Record of Revision	2
3. Mechanical drawing	3
4. Schematic drawing	4
5. Sample Test Report	5
6. Packing info	6
7. Recommended Reflow Soldering curve	7
8. Material Certificate List	8
9. certificate of Non-use controlled substances	9
10. UL certification	10

B. Schematic:



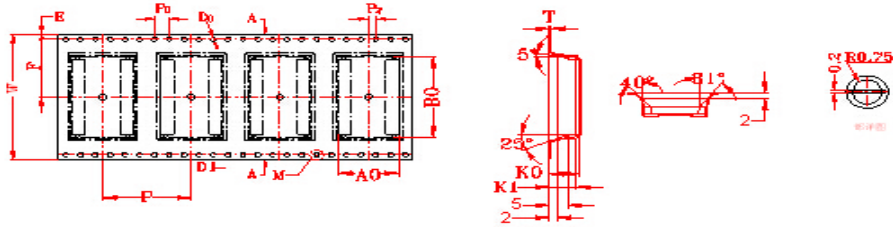
C. Electrical Specification @25°C

Inductance OCL:	180uH Min @ 100KHz 0.1V 8mA DC Bias 0.35uH
Leakage Inductance:	Max @ 100KHz 0.1V
Interwinding Capacitance:	35pF Typ @ 100KHz 0.1V
DC Resistance:	0.9ΩMax; Secondary: 1.2ΩMax
Turns Ratio:	1CT:1CT±3%
Polarity:	1-48,4-45,7-42,10-39,13-36,16-33,19-30,22-27, In-Phase
Return Loss	1-40MHz -20dB Min 40.1-100MHz -16dB Min 100.1-200MHz -10dB Min
Cross Talk:	1-100MHz -30dB Min 100.1-200MHz -25dB Min
CMRR:	1-100MHz -30dB Min
Isolation HI-POT: Operating Temperature: Product Type:	100.1-200MHz -25dB Min 1500VAC 1mA 60S or 1650VAC 1mA 6S -40°C TO +85°C

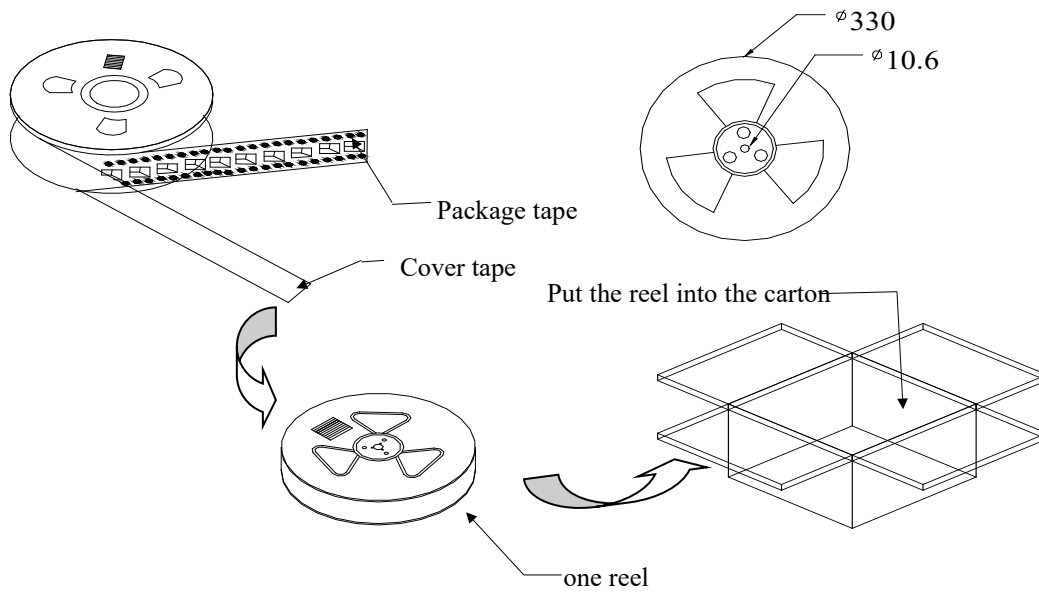
Green Product

Package Information:

1. Packaging Method is as below:



ITEM	W	A ₀	B ₀	K ₀	K ₁	P	F	E	D ₀	D ₁	P ₀	P ₂	T
DIM	44.0 +0.10 -0.20	15.4 +0.10 -0.10	28.2 +0.10 -0.10	8.00 +0.10 -0.10	7.20 +0.10 -0.10	24.0 +0.10 -0.10	20.2 +0.10 -0.10	1.75 +0.10 -0.10	1.50 +0.10 -0.10	1.50 +0.10 -0.10	4.00 +0.10 -0.10	2.00 +0.10 -0.10	0.40 +0.05 -0.05
ALTERNATE													



2. Package Q'ty:

3. Label:

350 units/reel 4 reel/carton
1400 units/carton

