

**MATERIALS AND FINISHES:**

BODY, JAM NUT: BRASS  
FINISH: SEE TABLE

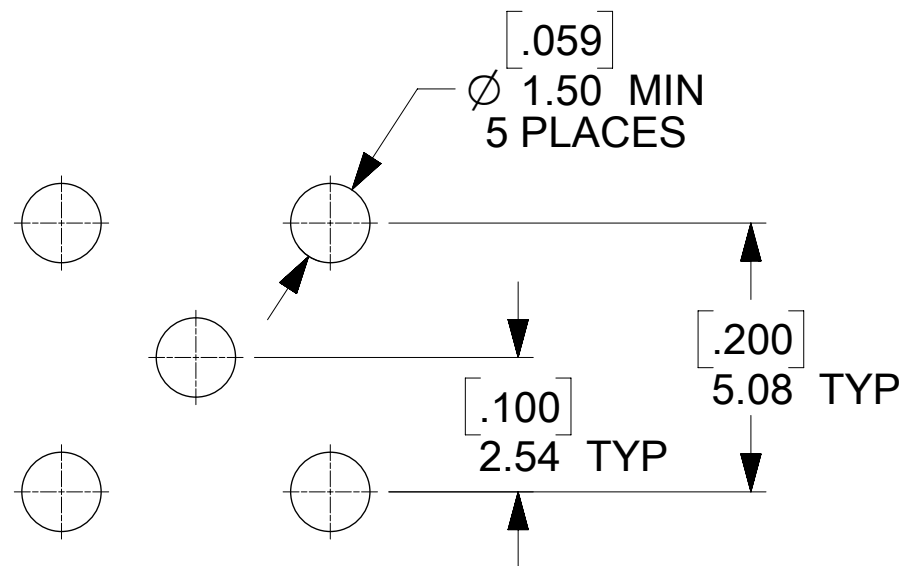
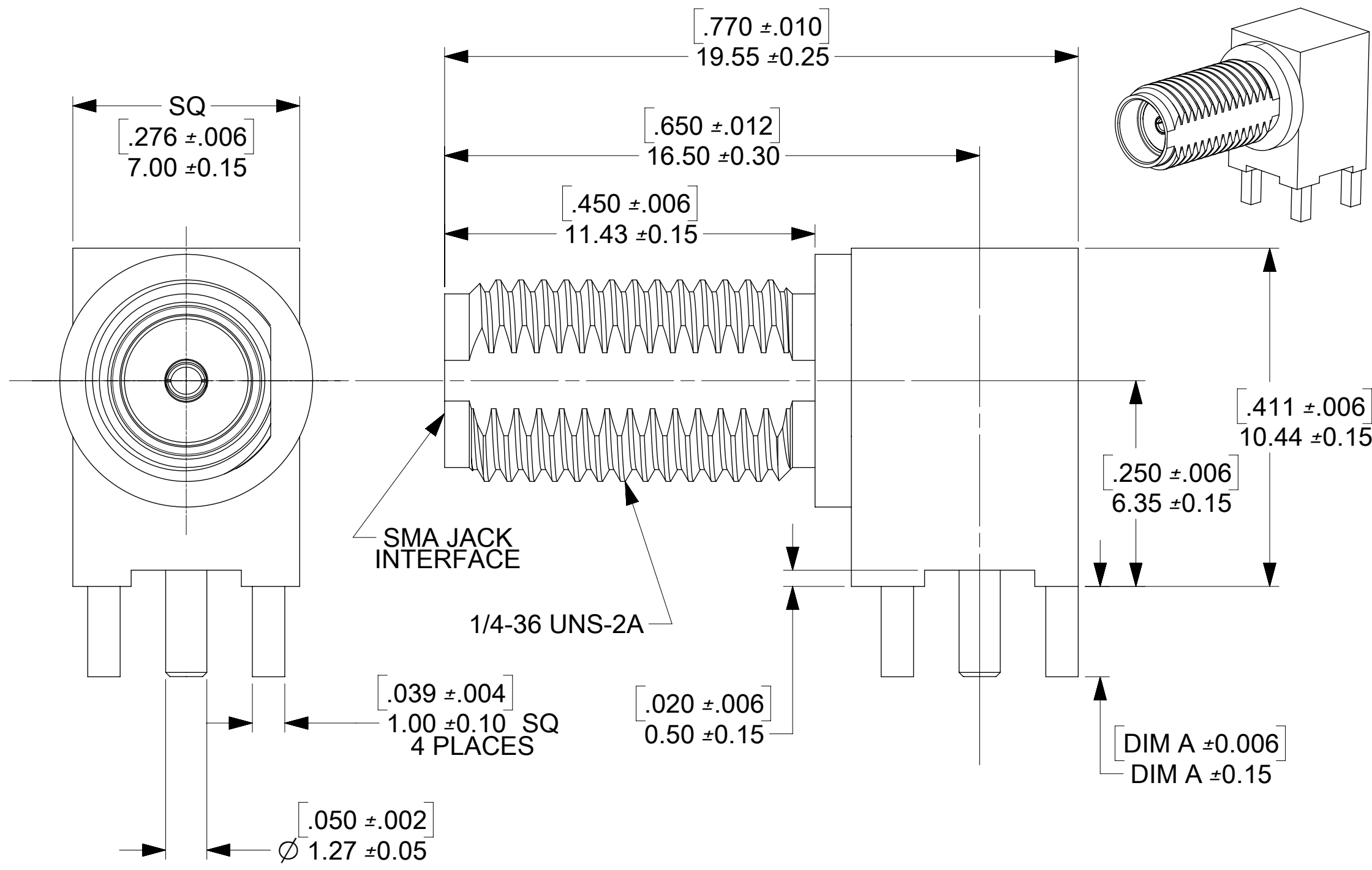
CENTER CONTACT: BERYLLIUM COPPER  
PLATED GOLD

INSULATOR: TEFLON

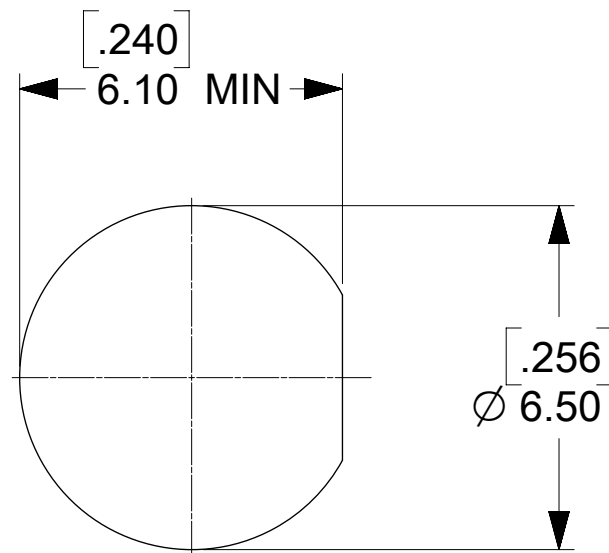
LOCKWASHER: PHOSPHOR BRONZE  
FINISH: SEE TABLE

**ELECTRICAL REQUIREMENTS:**

- VOLTAGE STANDING WAVE RATIO
  - 1.1(MAX) @0-6GHz.
  - 1.5(MAX) @6-12GHz.
  - 1.8(MAX) @12-18GHz.
- RF INSERTION LOSS:
  - 0.1(MAX) @0-6GHz.
  - 0.4(MAX) @6-12GHz.
  - 0.7(MAX) @12-18GHz.



RECOMMENDED PCB LAYOUT

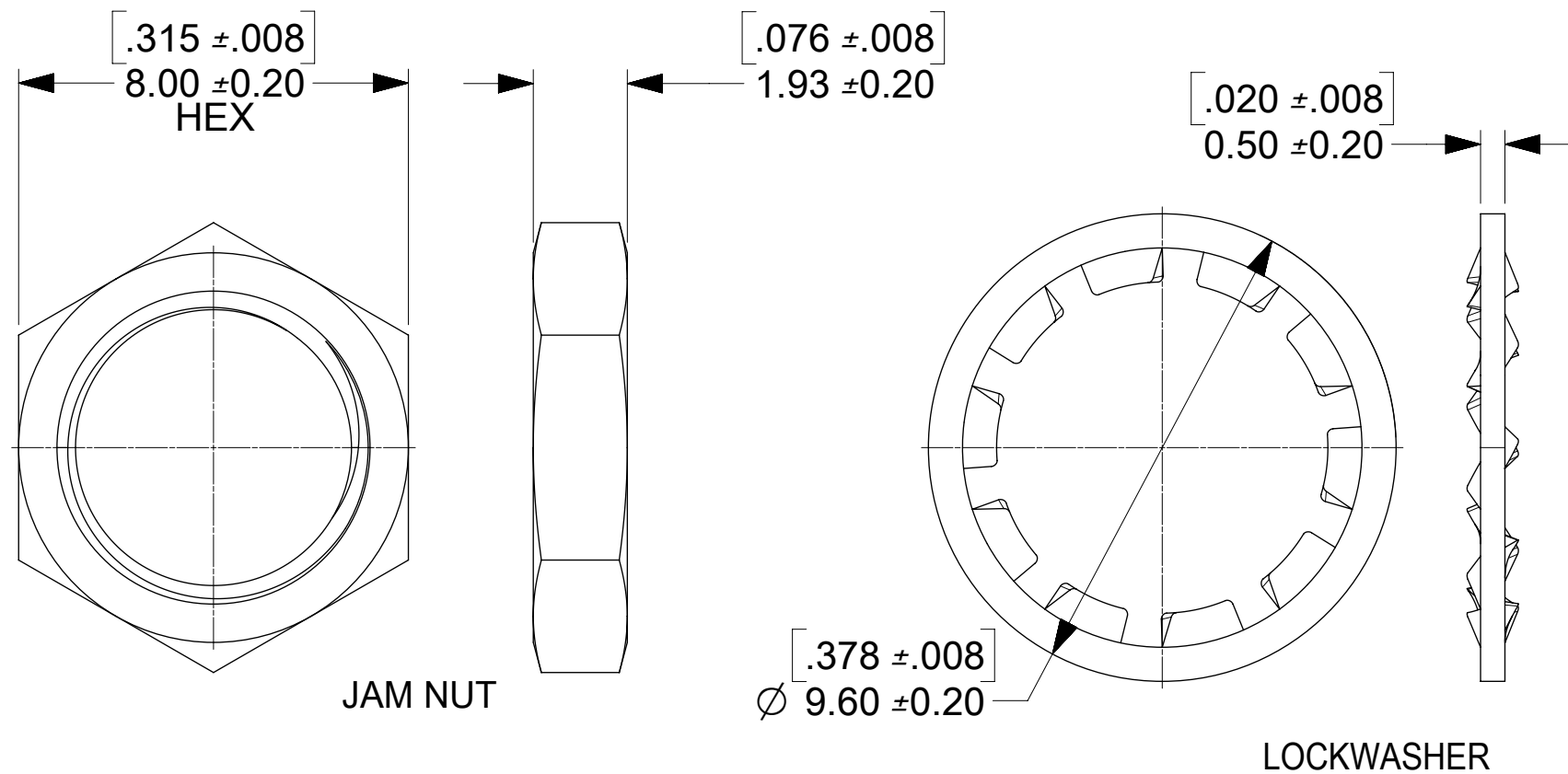


RECOMMENDED PANEL CUTOUT

SEE SD-73251-496 FOR PART NO. CONTINUATION

73251-2209	GOLD FLASH / STANDARD TRAY	3.94	.155
73251-2208	GOLD FLASH/STANDARD TRAY W/O WASHER AND NUT	3.94	.155
73251-2207	73251-2201 PACKAGED ONE PER BAG	2.79	.110
73251-2206	SAME AS 73251-2201 EXCEPT COMMERCIAL CONTACT	2.79	.110
73251-2205	SAME AS 73251-2200 EXCEPT COMMERCIAL CONTACT	2.79	.110
73251-2204	GOLD FLASH/STANDARD TRAY W/O WASHER AND NUT	2.79	.110
73251-2203	GOLD FLASH / STANDARD TRAY (54 CAVITY)	2.79	.110
73251-2202	73251-2201 PACKAGED IN SMALL TRAY (20 CAVITY)	2.79	.110
73251-2201	GOLD / STANDARD TRAY	2.79	.110
73251-2200	NICKEL / STANDARD TRAY	2.79	.110
PART NO.	PLATING (BODY, NUT, LOCKWASHER) AND PACKAGING	mm	IN

DIM A



JAM NUT

LOCKWASHER

PS-89675-3460	ELECTRO/MECH PERFORM.
SPECIFICATION	DESCRIPTION

D13	ADD TOLERANCE FOR DIMENSIONS PER EWR12457-A
D12	ADD TESTING ITEM OF PRODUCT SPEC ON DRAWING
REVISION	DESCRIPTION

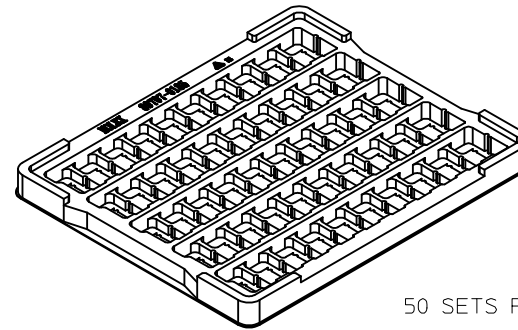
SYMBOLS		THIS DRAWING CONTAINS INFORMATION THAT IS PROPRIETARY TO MOLEX ELECTRONIC TECHNOLOGIES, LLC AND SHOULD NOT BE USED WITHOUT WRITTEN PERMISSION	
DIMENSION UNITS	SCALE	CURRENT REV DESC:	
mm	NTS		
GENERAL TOLERANCES (UNLESS SPECIFIED)		EC NO: 604333	
ANGULAR TOL	± °	DRWN: CWEI02	2018/09/06
4 PLACES	±	CHK'D: YCHENG	2018/09/17
3 PLACES	±	APPR: YCHENG	2018/09/17
2 PLACES	±	INITIAL REVISION:	
1 PLACE	±	DRWN: AROBERTSON	2012/11/21
0 PLACES	±	APPR: JWIENER	2012/11/21
DRAFT WHERE APPLICABLE MUST REMAIN WITHIN DIMENSIONS		THIRD ANGLE PROJECTION	DRAWING
		C-SIZE	SERIES
			73251

<b>molex</b>			
SMA JACK, R/A PCB 50 OHM SMA-J/RA/PCB EWR-2144			
PRODUCT CUSTOMER DRAWING			
DOCUMENT NUMBER	DOC TYPE	DOC PART	REVISION
SD-73251-220	PSD	000	D13
MATERIAL NUMBER	CUSTOMER	SHEET NUMBER	
SEE TABLE	GENERAL MARKET	1 OF 1	

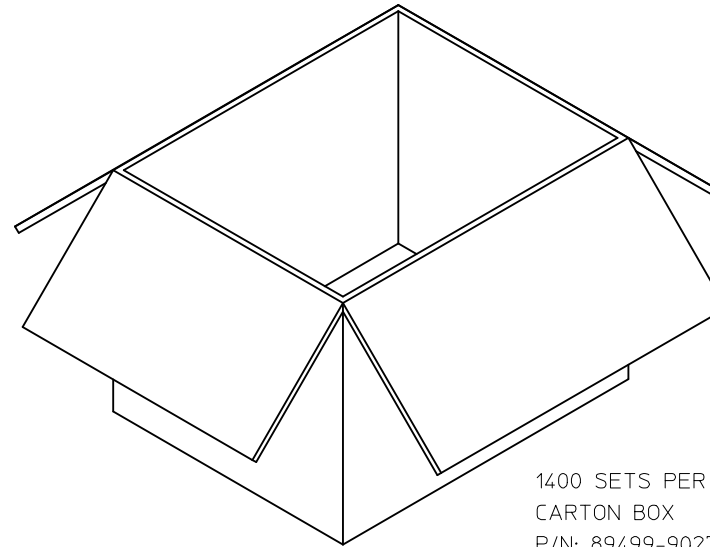


P/N: 73251-2200 / 73251-2201  
 73251-2205 / 73251-2206  
 73251-2208 / 73251-2209



50 SETS PER TRAY  
 TRAY P/N: 89707-0185

FOR 73251-2200, 73251-2201,  
 73251-2205, 73251-2206,  
 73251-2208, AND 73251-2209

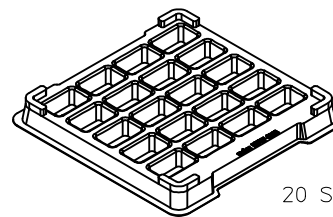


1400 SETS PER OUTER  
 CARTON BOX  
 P/N: 89499-9027

CHG NEW RELEASE PER RF13-E131 EC NO: URF2013-0734 DRAWN BY: RYEH CHKD: KERRIE APPR: MHUANG 2013/06/28 2013/07/26	DESCRIPTION REV:	QUALITY SYMBOLS	GENERAL TOLERANCES (UNLESS SPECIFIED)	DIMENSION STYLE	SCALE	DESIGN UNITS	THIRD ANGLE PROJECTION																		
		$\nabla = 0$ $\nabla = 0$ $\nabla = 0$	<table border="1"> <thead> <tr> <th></th> <th>mm</th> <th>INCH</th> </tr> </thead> <tbody> <tr> <td>4 PLACES</td> <td>± ---</td> <td>± ---</td> </tr> <tr> <td>3 PLACES</td> <td>± ---</td> <td>± ---</td> </tr> <tr> <td>2 PLACES</td> <td>± ---</td> <td>± ---</td> </tr> <tr> <td>1 PLACE</td> <td>± ---</td> <td>± ---</td> </tr> <tr> <td>0 PLACE</td> <td>± ---</td> <td>± ---</td> </tr> </tbody> </table>		mm	INCH	4 PLACES	± ---	± ---	3 PLACES	± ---	± ---	2 PLACES	± ---	± ---	1 PLACE	± ---	± ---	0 PLACE	± ---	± ---	MM/IN	2.5:1	METRIC	
			mm	INCH																					
		4 PLACES	± ---	± ---																					
3 PLACES	± ---	± ---																							
2 PLACES	± ---	± ---																							
1 PLACE	± ---	± ---																							
0 PLACE	± ---	± ---																							
REV: A	DRAWN BY: RYEH CHECKED BY: KERRIE APPROVED BY: MHUANG DATE: 2013/06/28 DATE: 2013/06/28 DATE: 2013/07/26	MATERIAL NO. <b>SEE TABLE</b>	DOCUMENT NO. SD-73251-220-PKG	TITLE SMA JACK R/A PCB TH 50 OHMS SMA-J/PCB <b>molex</b>	SHEET NO. 1 OF 4																				
DRAFT WHERE APPLICABLE MUST REMAIN WITHIN DIMENSIONS		THIS DRAWING CONTAINS INFORMATION THAT IS PROPRIETARY TO MOLEX INCORPORATED AND SHOULD NOT BE USED WITHOUT WRITTEN PERMISSION																							

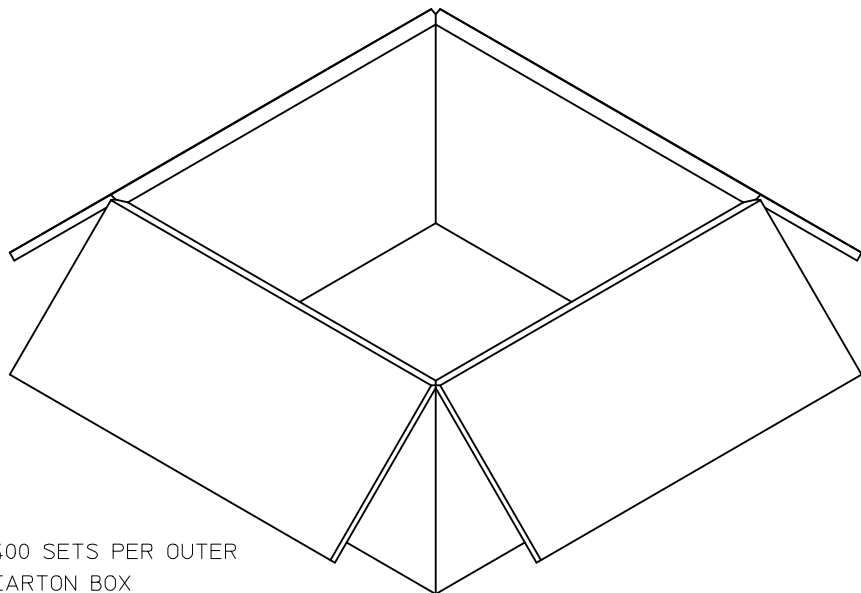


P/N: 73251-2202

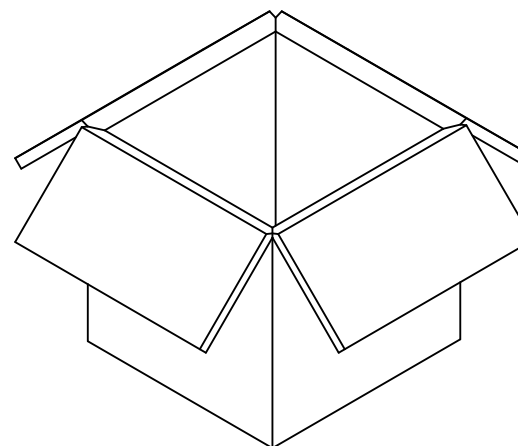


20 SETS PER TRAY  
TRAY P/N: 89707-0308

FOR 73251-2202 ONLY



400 SETS PER OUTER  
CARTON BOX  
P/N: 96707-0002



200 SETS PER INNER  
CARTON BOX  
P/N: 96707-0005

CHG:SEE SHEET 1  
EC NO: URF2013-0734  
DRAWN:RYEH  
CHKD:  
APPR:MHUANG

2013/06/28  
2013/07/26

DESCRIPTION

REV	DESCRIPTION	QUALITY SYMBOLS
A		▽=0
		▽=0
		▽=0

GENERAL TOLERANCES (UNLESS SPECIFIED)

	mm	INCH
4 PLACES	± .005	± .0002
3 PLACES	± .005	± .0002
2 PLACES	± .005	± .0002
1 PLACE	± .005	± .0002
0 PLACE	± .005	± .0002

ANGULAR ± 2°

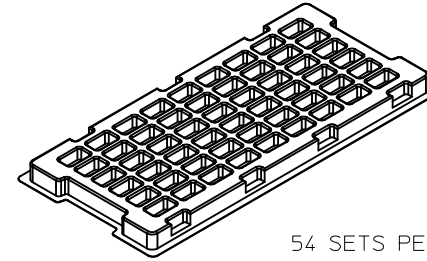
DRAFT WHERE APPLICABLE MUST REMAIN WITHIN DIMENSIONS

DIMENSION STYLE		SCALE		DESIGN UNITS	
MM/IN		2:1		METRIC	
DRAWN BY	DATE	TITLE			
RYEH	2013/06/28	SMA JACK R/A PCB TH			
CHECKED BY	DATE	50 OHMS			
KERRIE	2013/06/28	SMA-J/PCB			
APPROVED BY	DATE	<b>molex</b>			
MHUANG	2013/07/26				
MATERIAL NO.	DOCUMENT NO.	SHEET NO.			
SEE TABLE	SD-73251-220-PKG	2 OF 4			
THIS DRAWING CONTAINS INFORMATION THAT IS PROPRIETARY TO MOLEX INCORPORATED AND SHOULD NOT BE USED WITHOUT WRITTEN PERMISSION					

THIRD ANGLE PROJECTION

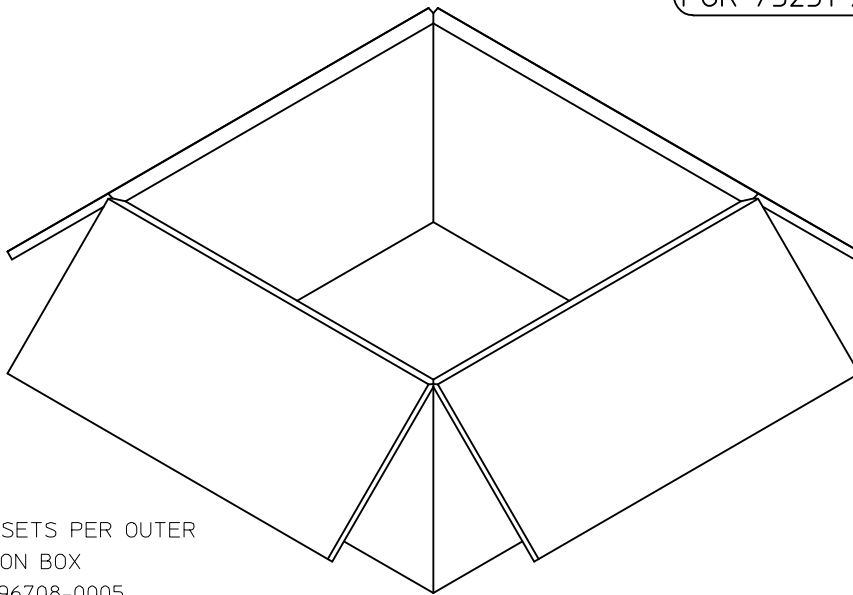


P/N: 73251-2203 / 73251-2204

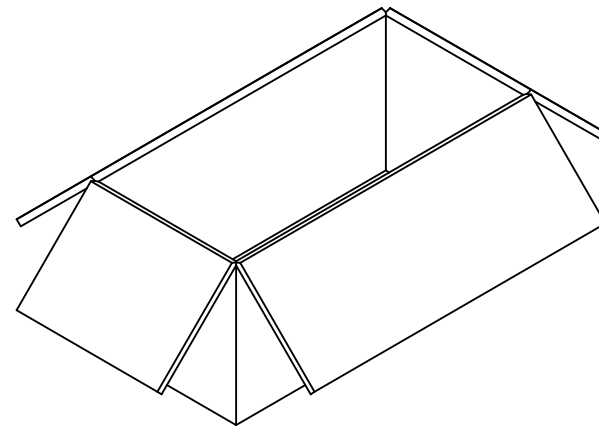


54 SETS PER TRAY  
TRAY P/N: 89707-0220

FOR 73251-2203 AND 73251-2204



1080 SETS PER OUTER  
CARTON BOX  
P/N: 96708-0005



540 SETS PER INNER  
CARTON BOX  
P/N: 96707-0001

CHG:SEE SHEET 1  
EC NO: URF2013-0734  
DRAWN:RYEH 2013/06/28  
CHKD:  
APPR:MHUANG 2013/07/26

REV	DESCRIPTION
A	

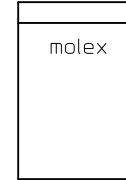
QUALITY SYMBOLS	DESCRIPTION
	=0
	=0
	=0

GENERAL TOLERANCES (UNLESS SPECIFIED)	
mm	INCH
4 PLACES ± .005	± .0004
3 PLACES ± .005	± .0004
2 PLACES ± .005	± .0004
1 PLACE ± .005	± .0004
0 PLACE ± .005	± .0004
ANGULAR ± 2°	

DIMENSION STYLE	SCALE	DESIGN UNITS	THIRD ANGLE PROJECTION
MM/IN	2:1	METRIC	
DRAWN BY	DATE	TITLE	
RYEH	2013/06/28	SMA JACK R/A PCB TH	
CHECKED BY	DATE	50 OHMS	
KERRIE	2013/06/28	SMA-J/PCB	
APPROVED BY	DATE	<b>molex</b>	
MHUANG	2013/07/26	DOCUMENT NO. SD-73251-220-PKG	
MATERIAL NO.	SEE TABLE	SHEET NO. 3 OF 4	
DRAFT WHERE APPLICABLE MUST REMAIN WITHIN DIMENSIONS			
THIS DRAWING CONTAINS INFORMATION THAT IS PROPRIETARY TO MOLEX INCORPORATED AND SHOULD NOT BE USED WITHOUT WRITTEN PERMISSION			

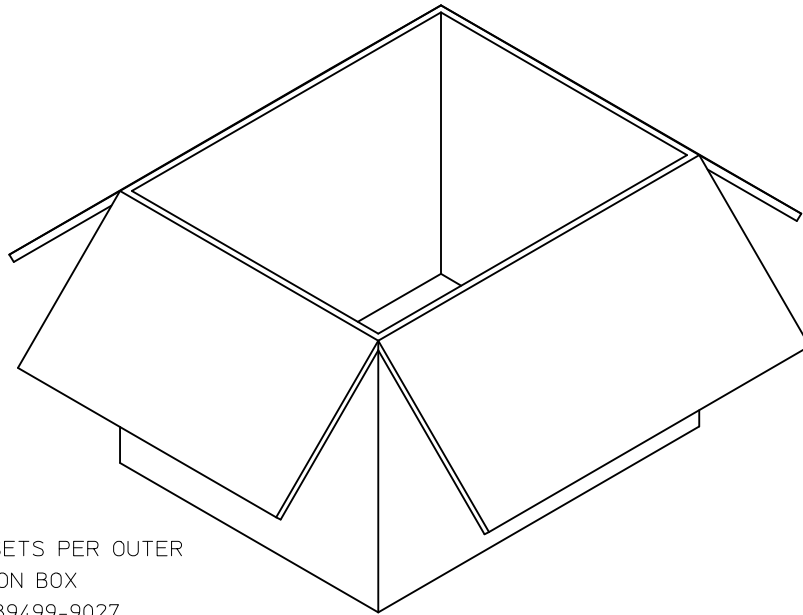


P/N: 73251-2207

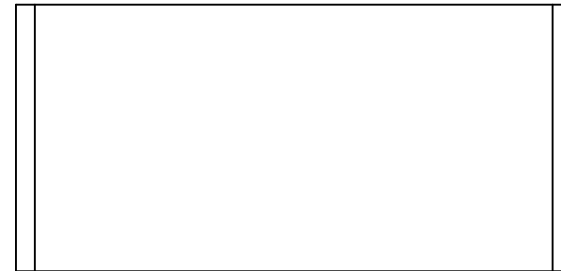


1 SET PER POLYBAG  
P/N: 89707-0317

FOR 73251-2207 ONLY



500 SETS PER OUTER  
CARTON BOX  
P/N: 89499-9027



50 SETS PER POLYBAG  
P/N: 89707-0174

<b>CHG:SEE SHEET 1</b> EC NO: URF2013-0734 DRAWN: RYEH CHKD: MUYEH APPR: MHUANG 2013/06/28 2013/07/26	QUALITY SYMBOLS = 0 = 0 = 0	GENERAL TOLERANCES (UNLESS SPECIFIED) <table border="1"> <tr> <th></th> <th>mm</th> <th>INCH</th> </tr> <tr> <td>4 PLACES</td> <td>± ---</td> <td>± ---</td> </tr> <tr> <td>3 PLACES</td> <td>± ---</td> <td>± ---</td> </tr> <tr> <td>2 PLACES</td> <td>± ---</td> <td>± ---</td> </tr> <tr> <td>1 PLACE</td> <td>± ---</td> <td>± ---</td> </tr> <tr> <td>0 PLACE</td> <td>± ---</td> <td>± ---</td> </tr> </table>		mm	INCH	4 PLACES	± ---	± ---	3 PLACES	± ---	± ---	2 PLACES	± ---	± ---	1 PLACE	± ---	± ---	0 PLACE	± ---	± ---	DIMENSION STYLE <b>MM/IN</b> DRAWN BY: RYEH DATE: 2013/06/28 CHECKED BY: KERRIE DATE: 2013/06/28 APPROVED BY: MHUANG DATE: 2013/07/26	SCALE: <b>1:1</b> DESIGN UNITS: <b>METRIC</b> <b>THIRD ANGLE PROJECTION</b>	<b>SMA JACK R/A PCB TH</b> <b>50 OHMS</b> <b>SMA-J/PCB</b> 	MATERIAL NO. <b>SEE TABLE</b>	DOCUMENT NO. <b>SD-73251-220-PKG</b>	SHEET NO. <b>4 OF 4</b>
		mm	INCH																							
	4 PLACES	± ---	± ---																							
	3 PLACES	± ---	± ---																							
2 PLACES	± ---	± ---																								
1 PLACE	± ---	± ---																								
0 PLACE	± ---	± ---																								
ANGULAR ± 2 °	DRAFT WHERE APPLICABLE MUST REMAIN WITHIN DIMENSIONS	SIZE	THIS DRAWING CONTAINS INFORMATION THAT IS PROPRIETARY TO MOLEX INCORPORATED AND SHOULD NOT BE USED WITHOUT WRITTEN PERMISSION																							

